



500 MHz to 6000 MHz Electronic Warfare Omni Antenna,
200W N-Type Female, MIL-STD-810 TAA Complaint

Antennas Technical Data Sheet

PEANOM1143

Features

- High Power, High Gain, Wideband
- N-type Female RF Connector
- MIL-STD-810
- US 4 hole or NATO 3/6 hole pattern
- Low Profile
- TAA Compliant

Applications

- Electronic Warfare/Jamming
- Military Communication/Jamming
- Anti-UAV Operations
- Anti-Unmanned Operations
- Anti-Reconnaissance and Surveillance Systems
- Defense and Strategic Installations

Description

The PEANOM1143 from Pasternack is a high power, high gain MIL-STD-810 omnidirectional antenna, specifically designed for 500 MHz to 6000 MHz vehicle mounted military applications. This wideband antenna is TAA compliant and features standard US 4 hole or NATO 3/6 hole pattern.

The PEANOM1143 antenna, available same day from Pasternack, is tailored for applications in electronic warfare and jamming with its wideband dipole array, seamlessly operating across a wide range of frequencies. The radome-protected radiator enhances durability, and the absence of a ground plane requirement opens up diverse mounting possibilities, making it an ideal choice for electronic warfare and jamming scenarios where flexibility is paramount.

Designed to weather challenging conditions, the PEANOM1143 stands out as a durable communication solution. Operating in temperatures from -40 to +71 °C, this antenna meets MIL-STD-810 standards for humidity, shock, vibration, blowing rain, and immersion. With impact resistance at 40 km/h and a water immersion depth of 1 meter, the PEANOM1143 ensures unwavering connectivity in active hostile and harsh environments.

Configuration

Design	Mobile
Application Band	UHF/SHF
Band Type	Single
Radiation Pattern	Omni Directional
Polarization	Vertical
Ground Plane	0.5 x 0.5 m ²
Connector Type	N Female
Number of Ports	1

Electrical Specifications

Description	Minimum	Typical	Maximum	Units
Frequency Range	500		6,000	MHz
Input VSWR			3:1	
Impedance		50		Ohms
Gain		4		dBi
Input Power			200	Watts

Electrical Specification Notes:

800 MHz to 6000 MHz without a ground plane. 500 MHz to 6000 MHz on a ground plane = 0.5 x 0.5 m²

Click the following link (or enter part number in "SEARCH" on website) to obtain additional part information including price, inventory and certifications: [500 MHz to 6000 MHz Electronic Warfare Omni Antenna, 200W N-Type Female, MIL-STD-810 TAA Complaint PEANOM1143](#)



500 MHz to 6000 MHz Electronic Warfare Omni Antenna,
200W N-Type Female, MIL-STD-810 TAA Complaint

Antennas Technical Data Sheet

PEANOM1143

Mechanical Specifications

Mounting Application 4-hole US and 3/6-hole NATO pattern mount

Size

Overall Length 5 in [127 mm]
Width 5 in [127 mm]
Height 5.12 in [130.05 mm]
Weight 2.2 lbs [997.9 g]

Environmental Specifications

Temperature

Operating Range -40 to +55 deg C
Storage Range -40 to +85 deg C

Environment

Wind Loading MIL-STD-810F
124.27 MPH [199.99 KPH]
Humidity MIL-STD-810E, Method 507.3 Procedure III
Shock MIL-STD-810F, Method 516.5 Procedure I
Vibration MIL-STD-810F, Method 514.5 Category 24

Compliance Certifications (see [product page](#) for current document)

Plotted and Other Data

Notes:

For perfect operation there should be free space around the antenna. The mounting bolts shall not protrude the upper edge of the mounting bolt cavities.

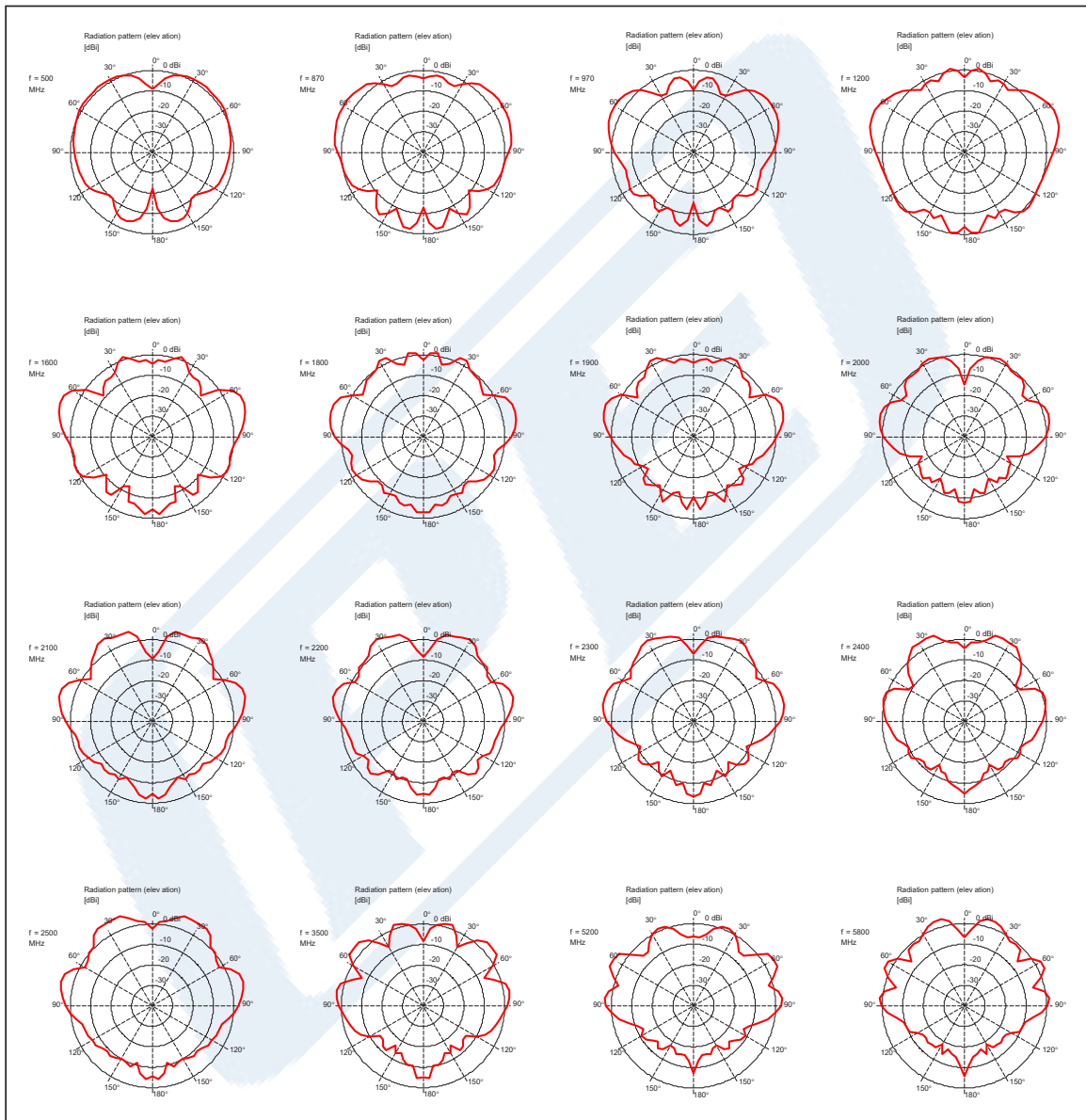
Click the following link (or enter part number in "SEARCH" on website) to obtain additional part information including price, inventory and certifications: [500 MHz to 6000 MHz Electronic Warfare Omni Antenna, 200W N-Type Female, MIL-STD-810 TAA Complaint PEANOM1143](#)



500 MHz to 6000 MHz Electronic Warfare Omni Antenna,
200W N-Type Female, MIL-STD-810 TAA Complaint

Antennas Technical Data Sheet

PEANOM1143



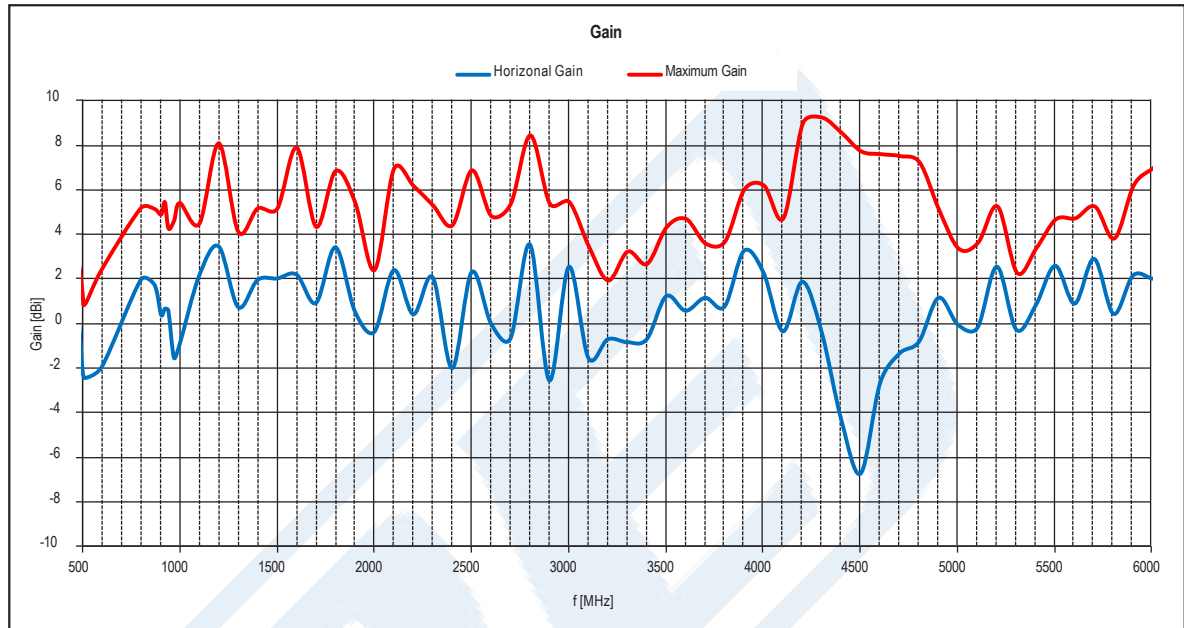
Click the following link (or enter part number in "SEARCH" on website) to obtain additional part information including price, inventory and certifications: [500 MHz to 6000 MHz Electronic Warfare Omni Antenna, 200W N-Type Female, MIL-STD-810 TAA Complaint PEANOM1143](#)



500 MHz to 6000 MHz Electronic Warfare Omni Antenna,
200W N-Type Female, MIL-STD-810 TAA Complaint

Antennas Technical Data Sheet

PEANOM1143



500 MHz to 6000 MHz Electronic Warfare Omni Antenna, 200W N-Type Female, MIL-STD-810 TAA Complaint from Pasternack Enterprises has same day shipment for domestic and International orders. Our RF, microwave and millimeter wave products maintain a 99.4% availability and are part of the broadest selection in the industry.

Click the following link (or enter part number in "SEARCH" on website) to obtain additional part information including price, inventory and certifications: [500 MHz to 6000 MHz Electronic Warfare Omni Antenna, 200W N-Type Female, MIL-STD-810 TAA Complaint PEANOM1143](https://www.pasternack.com/500-mhz-to-6000-mhz-electronic-warfare-omni-antenna-200w-n-type-female-mil-std-810-taa-complaint-peanom1143)

URL: <https://www.pasternack.com/500-mhz-to-6000-mhz-electronic-warfare-omni-antenna-200w-n-type-female-mil-std-810-taa-complaint-peanom1143-p.aspx>

The information contained in this document is accurate to the best of our knowledge and representative of the part described herein. It may be necessary to make modifications to the part and/or the documentation of the part, in order to implement improvements. Pasternack reserves the right to make such changes as required. Unless otherwise stated, all specifications are nominal. Pasternack does not make any representation or warranty regarding the suitability of the part described herein for any particular purpose, and Pasternack does not assume any liability arising out of the use of any part or documentation.

PEANOM1143 CAD Drawing

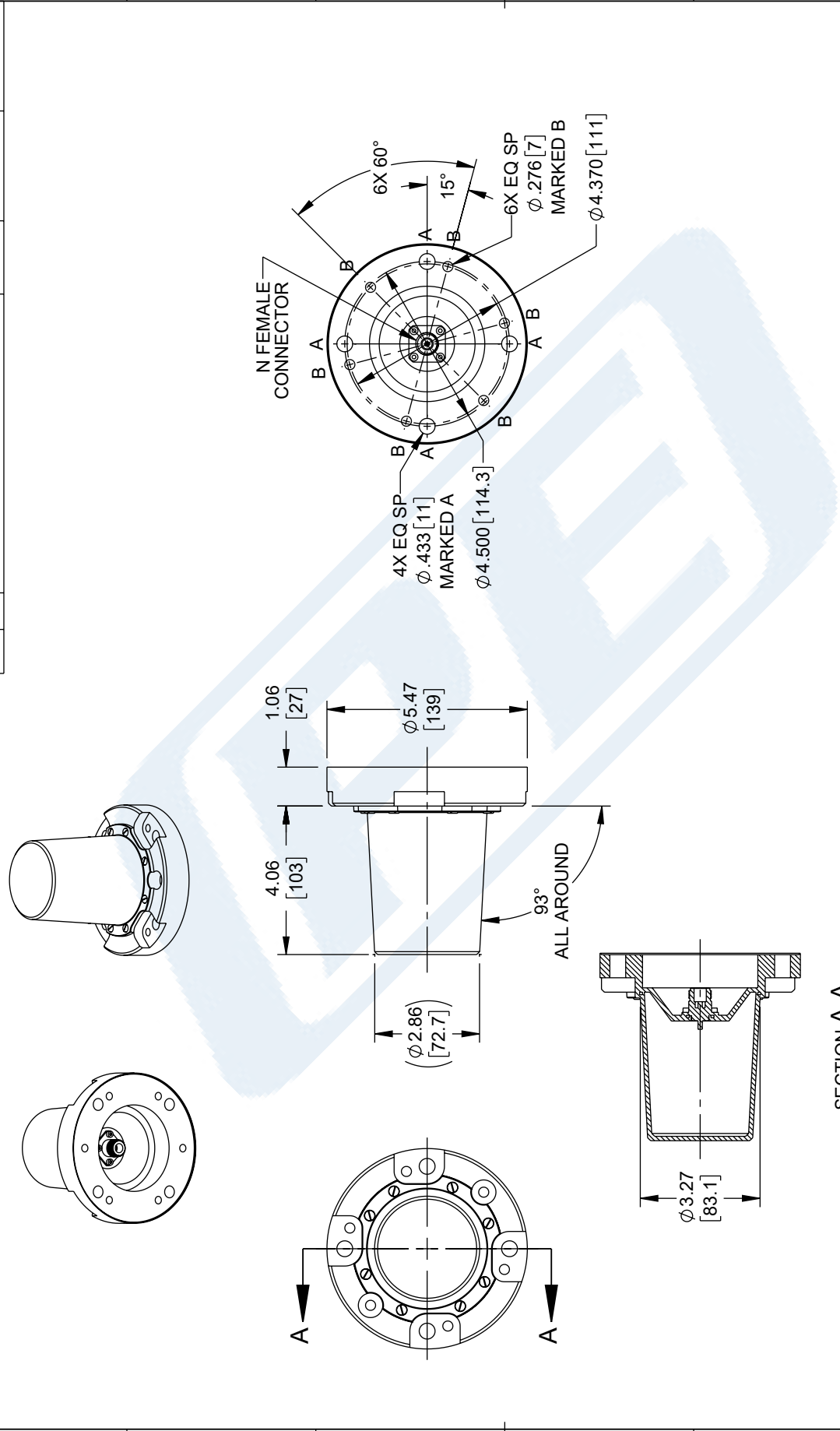
500 MHz to 6000 MHz Electronic Warfare Omni Antenna, 200W

N-Type Female, MIL-STD-810 TAA Compliant

1 2 3 4 5 6

F E D C B A

ZONE		REVISION		DATE		APPROVED	
REV	DESCRIPTION	DATE	CHANGED BY	DATE	CHANGED BY	DATE	APPROVED
A	INITIAL RELEASE	10/26/2023	DZINN				KHETPAS



PE PASTERNAK
an INFINIT® brand

Website: www.Pasternack.com
Phone: 1.866.727.8376 | 1.949.261.1920

UNLESS OTHERWISE SPECIFIED, LEADING DIMENSIONS ARE IN INCHES, DIMENSIONS IN [] ARE MILLIMETERS.

TOLERANCES:
 .X = ±.2 [5] FRACTIONS ± 1/32
 .XX = ±.02 [0.5] ANGLES ± 1°
 .XXX = ±.005 [0.13]

CABLE LENGTH TOLERANCES:
 ≤ 12 [305] = +1 [25] / -0
 > 12 [305] ≤ 60 [1524] = +2 [51] / -0
 > 60 [1524] ≤ 120 [3048] = +4 [102] / -0
 > 120 [3048] ≤ 300 [7620] = +6 [152] / -0
 > 300 [7620] = +9% / -0

ALL DIMENSIONS ARE FOR REFERENCE ONLY AND SUBJECT TO CHANGE WITHOUT NOTICE. UNDIMENSIONED NON-CRITICAL FEATURES MAY VARY IN LOCATION. COLORS MAY VARY.

INTERPRET ALL DIMENSIONS AND TOLERANCES PER ASME Y14.5

SCALE: NONE
SHEET: 1 OF 1

DESCRIPTION: VEHICLE ANTENNA, WIDEBAND UHF/SHF, 500-6000 MHz, TAA

ITEM NO. PEANOM1143
CAGE CODE 53919
DRAWN BY DZINN

SECTION A-A

REGULATORY COMPLIANCE:
EU RoHS Directive (MOST RECENTLY RELEASED VERSION).

THE INFORMATION CONTAINED IN THIS DRAWING IS THE SOLE PROPERTY OF INFINITE ELECTRONICS, INC. ANY REPRODUCTION IN PART OR WHOLE WITHOUT THE WRITTEN PERMISSION OF INFINITE ELECTRONICS, INC. IS PROHIBITED. THESE COMMODITIES, TECHNOLOGY OR SOFTWARE WERE EXPORTED FROM THE UNITED STATES IN ACCORDANCE WITH THE EXPORT ADMINISTRATION REGULATIONS. DIVERSION CONTRARY TO U.S. LAW PROHIBITED.