



# 10-in-1 Cellular, Wi-Fi, GPS Combination IoT Antenna FAKRA Jack ABS Radome White IP69K

## Antennas Technical Data Sheet

**PEANOM1099**

### Features

- 4 x Cellular 4G/5G
- 5 x Wi-Fi 2.4 GHz / 5 GHz
- 1 x GPS L1 / G1
- MIMO Capable
- Color coded FAKRA Jack
- 17 ft Cable Leads
- Indoor/Outdoor IP69K Rated
- UV Stabilized White ABS

### Applications

- Public Safety
- Emergency Services
- Mobile Base Stations
- Autonomous Vehicles
- Fleet Management
- Smart Cities
- Smart Utilities
- Industrial IoT

### Description

The Pasternack PEANOM1099 is a 10-in-1 combination antenna designed for public safety, emergency services, mobile base stations, autonomous vehicles, fleet management, smart cities, smart utilities, or industrial IoT applications. This vertically polarized omnidirectional antenna has color-coded FAKRA female connectors with 17 feet cable leads. Our high-quality mobile antenna with 10 ports has a typical input VSWR of 2:1.

The IoT combination antenna from Pasternack has an overall length of 7 inches, width of 7 inches, and weight of 4 lbs. This PEANOM1099 mobile antenna is IP69K-rated and has a white-colored radome made of UV-stabilized ABS. The 4 cellular, 5 Wi-Fi, 1 GPS combination antenna has an impedance of 50 Ohms and a maximum input power of 10 Watts.

Our vertically polarized mobile antenna can operate at temperatures ranging from -40 to 70 degrees C. This MIMO-capable IoT antenna features four 4G/5G, five 2.4/5 GHz, and one L1/G1 GPS band elements in one radome. Emergency services, first responders, and fleets can rely on our 10-in-1 combination antenna to maintain a secure link between vehicles and dispatch centers.

### Configuration

Design	Mobile
Radiation Pattern	Omni Directional
Polarization	Vertical
Connector Type	FAKRA Female
Number of Ports	10

### Electrical Specifications

Description	Minimum	Typical	Maximum	Units
Input VSWR		2:1		
Impedance		50		Ohms
Input Power			10	Watts

Click the following link (or enter part number in "SEARCH" on website) to obtain additional part information including price, inventory and certifications: [10-in-1 Cellular, Wi-Fi, GPS Combination IoT Antenna FAKRA Jack ABS Radome White IP69K PEANOM1099](#)



10-in-1 Cellular, Wi-Fi, GPS Combination IoT Antenna  
FAKRA Jack ABS Radome White IP69K

**Antennas Technical Data Sheet**

**PEANOM1099**

Cellular Specifications					
Frequency Range	617 - 960	1690 - 2700	3300 - 4200	4900 - 6000	MHz
Peak Gain	4	6	7	8	dBi
Port Count	4				
Cable Type	RG58				
Cable Length	17 [5]				
Connector Type	FAKRA Jack				
Connector Color	Bordeaux				
Connector Code	D				
Wi-Fi Specifications					
Frequency Range	2400 - 2500		4900 - 6000		MHz
Peak Gain	5		6		dBi
Port Count	5				
Cable Type	RG58				
Cable Length	17 [5]				
Connector Type	FAKRA Jack				
Connector Color	Beige				
Connector Code	I				
GPS Specifications					
Frequency Range	1562 - 1612				MHz
VSWR	<2.0:1 ± 4 MHz				
LNA Gain	26				
Out of band rejection	>40 dB (@ > +/- 100 MHz)				
Typical Noise Figure	≤ 2.7				
Notch Filter rejection @787MHz	24				
Operating Voltage	3 - 5				
Typical Current	15				
Cable Type / Length	RG174 / 17 ft [5 m]				
Connector Type	FAKRA Jack				
Connector Color / Code	Blue / C				

Click the following link (or enter part number in "SEARCH" on website) to obtain additional part information including price, inventory and certifications: [10-in-1 Cellular, Wi-Fi, GPS Combination IoT Antenna FAKRA Jack ABS Radome White IP69K PEANOM1099](#)



10-in-1 Cellular, Wi-Fi, GPS Combination IoT Antenna  
FAKRA Jack ABS Radome White IP69K

**Antennas Technical Data Sheet**

**PEANOM1099**

**Mechanical Specifications**

Radome Material	UV Stabilized ABS
<b>Size</b>	
Overall Length	7 in [177.8 mm]
Width	7 in [177.8 mm]
Height	3.15 in [80.01 mm]
Weight	4 lbs [1.81 kg]

**Environmental Specifications**

<b>Temperature</b>	
Operating Range	-40 to +70 deg C
Ingress Protection	IP69K

**Compliance Certifications** (see [product page](#) for current document)

**Plotted and Other Data**

Notes:

10-in-1 Cellular, Wi-Fi, GPS Combination IoT Antenna FAKRA Jack ABS Radome White IP69K from Pasternack Enterprises has same day shipment for domestic and International orders. Our RF, microwave and millimeter wave products maintain a 99.4% availability and are part of the broadest selection in the industry.

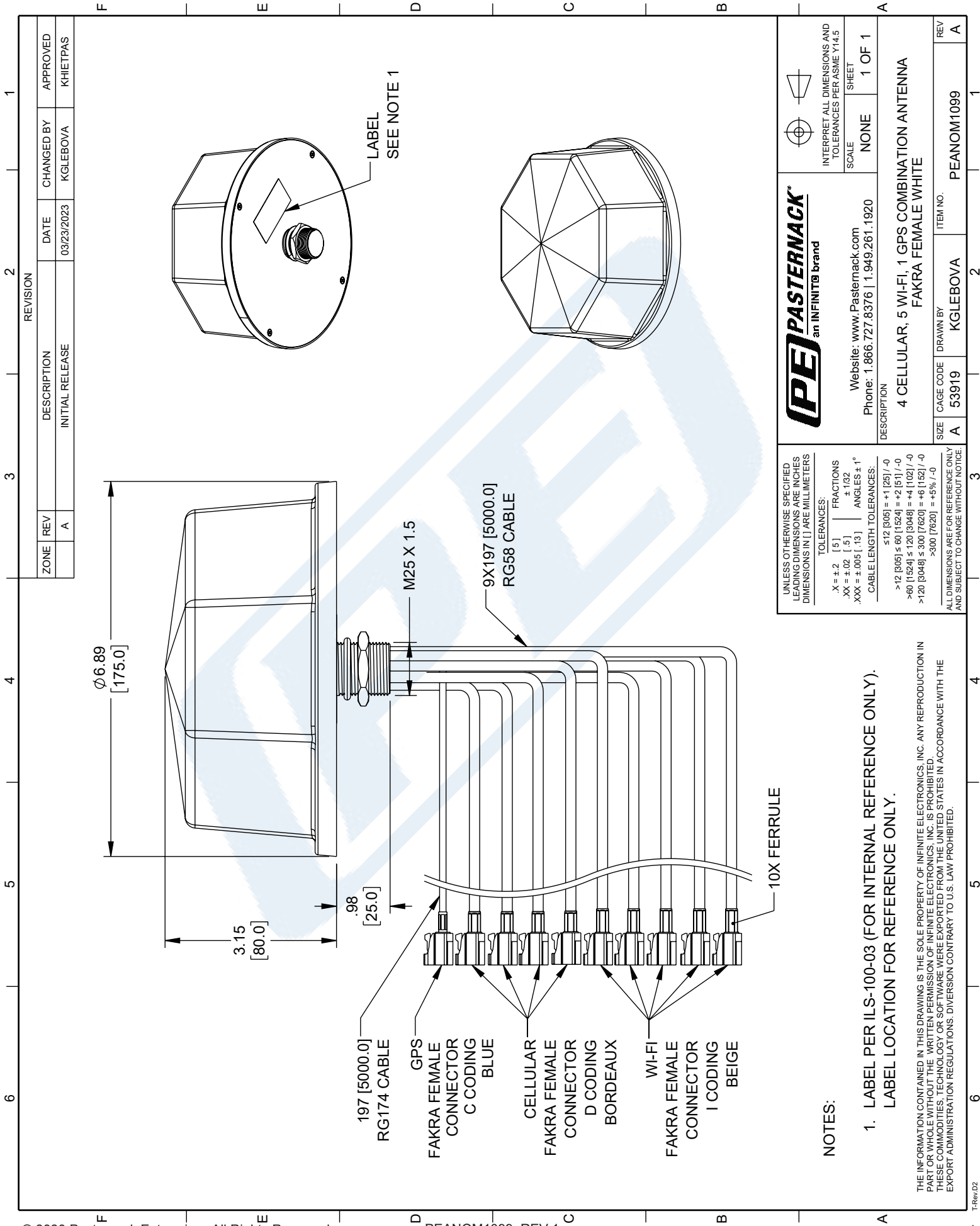
Click the following link (or enter part number in "SEARCH" on website) to obtain additional part information including price, inventory and certifications: [10-in-1 Cellular, Wi-Fi, GPS Combination IoT Antenna FAKRA Jack ABS Radome White IP69K PEANOM1099](#)

URL:

The information contained in this document is accurate to the best of our knowledge and representative of the part described herein. It may be necessary to make modifications to the part and/or the documentation of the part, in order to implement improvements. Pasternack reserves the right to make such changes as required. Unless otherwise stated, all specifications are nominal. Pasternack does not make any representation or warranty regarding the suitability of the part described herein for any particular purpose, and Pasternack does not assume any liability arising out of the use of any part or documentation.

# PEANOM1099 CAD Drawing

10-in-1 Cellular, Wi-Fi, GPS Combination IoT Antenna  
FAKRA Jack ABS Radome White IP69K



ZONE	REV	DESCRIPTION	DATE	CHANGED BY	APPROVED
	A	INITIAL RELEASE	03/23/2023	KGLEBOVA	KHIETPAS

**PE PASTERNAK**  
an INFINITI® brand

Website: [www.Pasternack.com](http://www.Pasternack.com)  
Phone: 1.866.727.8376 | 1.949.261.1920

DESCRIPTION  
4 CELLULAR, 5 WI-FI, 1 GPS COMBINATION ANTENNA  
FAKRA FEMALE WHITE

INTERPRET ALL DIMENSIONS AND TOLERANCES PER ASME Y14.5

SCALE: NONE SHEET: 1 OF 1

ITEM NO.: PEANOM1099

UNLESS OTHERWISE SPECIFIED LEADING DIMENSIONS ARE INCHES DIMENSIONS IN [ ] ARE MILLIMETERS

TOLERANCES:  
 X = ±.2 [5] FRACTIONS ±.1032  
 .XX = ±.02 [.5] ANGLES ± 1°  
 XXX = ±.005 [.13] CABLE LENGTH TOLERANCES:  
 ≤12 [305] = +1 [25] / -0  
 >12 [305] ≤ 60 [1524] = +2 [51] / -0  
 >60 [1524] ≤ 120 [3048] = +4 [102] / -0  
 >120 [3048] ≤ 300 [7620] = +6 [152] / -0  
 >300 [7620] = +5% / -0

ALL DIMENSIONS ARE FOR REFERENCE ONLY AND SUBJECT TO CHANGE WITHOUT NOTICE.

**NOTES:**

- LABEL PER ILS-100-03 (FOR INTERNAL REFERENCE ONLY). LABEL LOCATION FOR REFERENCE ONLY.

THE INFORMATION CONTAINED IN THIS DRAWING IS THE SOLE PROPERTY OF INFINITE ELECTRONICS, INC. ANY REPRODUCTION IN PART OR WHOLE WITHOUT THE WRITTEN PERMISSION OF INFINITE ELECTRONICS, INC. IS PROHIBITED. THESE COMMODITIES, TECHNOLOGY OR SOFTWARE WERE EXPORTED FROM THE UNITED STATES IN ACCORDANCE WITH THE EXPORT ADMINISTRATION REGULATIONS. DIVERSION CONTRARY TO U.S. LAW PROHIBITED.