



2 Folded Dipole antenna, 138 MHz - 174 MHz, 7 dBi gain,
1/2 Wave Bidirectional pattern, V-pol, Type N Female Connector

Antennas Technical Data Sheet

PEANED1002

Features

- Frequency coverage for 138 MHz to 174 MHz with Type N Female connector
- Very High Gain 7 dBi / 4.85 dBd antennas
- Easy and quick time to installations
- Industrially tuned dipoles made of high-grade aluminum alloys
- 2-Folded dipole antenna has bidirectional pattern with 1/2 wave spacing
- 35° vertical beamwidth with Vertical Polarization
- 100 W max input power

Applications

- Outdoor point-to-point (PtP) or point-to-multipoint (PtMP) applications
- VHF radio applications supported with Trunking for two-way radio communications
- Wireless LAN systems, IOT and IIOT low data high coverage applications
- TV Broadcasts and FM radio applications
- Air traffic controllers / Public Safety / Emergency services / Marine communications
- Tetra and P-25 Applications exclusively supported
- Land Mobile Radio (LMR) and Private Mobile Radio (PMR)

Description

Pasternack's PEANED1002 is a high performance, two element exposed folded dipole antenna designed to operate from 138 to 174 MHz has 7 dBi / 4.85 dBd of high gain. The PEANED1002 is ideal for boosting radar, GPR/WPR, FM Radio, TV broadcasts, public safety, LMR / PMR and aviation. The PEANED1002 can be used for long distance communications over a wide range of applications for VHF frequency band communication systems.

The PEANED1002 from Pasternack exposed dipole antennas are robust, outdoor, weatherproof, and high velocity wind sustainable antennas made up of high-grade aluminum alloys for longevity and resistant to corrosion. The PEANED1002 has Vertical polarization, 35 vertical beamwidth. The included mounting kit allows for very easy and quick time installations with less effort. These exposed dipoles are already tuned to be Half wavelength away from the mast and do not require any further field adjustments. Pasternack's dipole antennas PEANED1002 are premium quality 2-bay dipole antenna has bidirectional pattern with 100W maximum power handling capability which are side mounted with 1/2 wave spacing from the mast and has a pigtail terminated with 1 Type N female connector.

The 7 dBi/ 4.85 dBd max gain two element half wave exposed folded dipole PEANED1002 antennas operates in VHF bands. This 138 to 174 MHz antenna have central support mast precisely designed for easy dipole attachments which fit tightly for error free and quick installations and ease for transportation.

Pasternack's half wave dipole antenna with Type N connector is in stock and ready to ship the same day. Contact Pasternack's knowledgeable and friendly technical support and sales staff for your answers on antennas or other products.

Configuration

Band Type	Single
Radiation Pattern	Directional
Polarization	Vertical
Connector Type	N Female
Number of Ports	1

Electrical Specifications

Description	Minimum	Typical	Maximum	Units
Frequency Range	138		174	MHz

Click the following link (or enter part number in "SEARCH" on website) to obtain additional part information including price, inventory and certifications: [2 Folded Dipole antenna, 138 MHz - 174 MHz, 7 dBi gain, 1/2 Wave Bidirectional pattern, V-pol, Type N Female Connector PEANED1002](#)



2 Folded Dipole antenna, 138 MHz - 174 MHz, 7 dBi gain,
1/2 Wave Bidirectional pattern, V-pol, Type N Female Connector

Antennas Technical Data Sheet

PEANED1002

Input VSWR		1.8:1	
Gain	7		dBi
Vertical (Elevation) Beam Width	35		Degrees
Input Power		100	Watts

Mechanical Specifications

Radome Material	Aluminum Alloy
Size	
Overall Length	118.1 in [299.97 cm]
Width	46.9 in [119.13 cm]
Height	2.4 in [60.96 mm]
Mounting Mast Diameter	1.5748 to 1.9685 in [40.00 to 50.00 mm]
Weight	126.5 lbs [57.38 kg]

Environmental Specifications

Wind Loading	124.274 MPH [200 KPH]
Humidity	5 to 95

Compliance Certifications (see [product page](#) for current document)

Plotted and Other Data

Notes:

2 Folded Dipole antenna, 138 MHz - 174 MHz, 7 dBi gain, 1/2 Wave Bidirectional pattern, V-pol, Type N Female Connector from Pasternack Enterprises has same day shipment for domestic and International orders. Our RF, microwave and millimeter wave products maintain a 99.4% availability and are part of the broadest selection in the industry.

Click the following link (or enter part number in "SEARCH" on website) to obtain additional part information including price, inventory and certifications: [2 Folded Dipole antenna, 138 MHz - 174 MHz, 7 dBi gain, 1/2 Wave Bidirectional pattern, V-pol, Type N Female Connector PEANED1002](#)

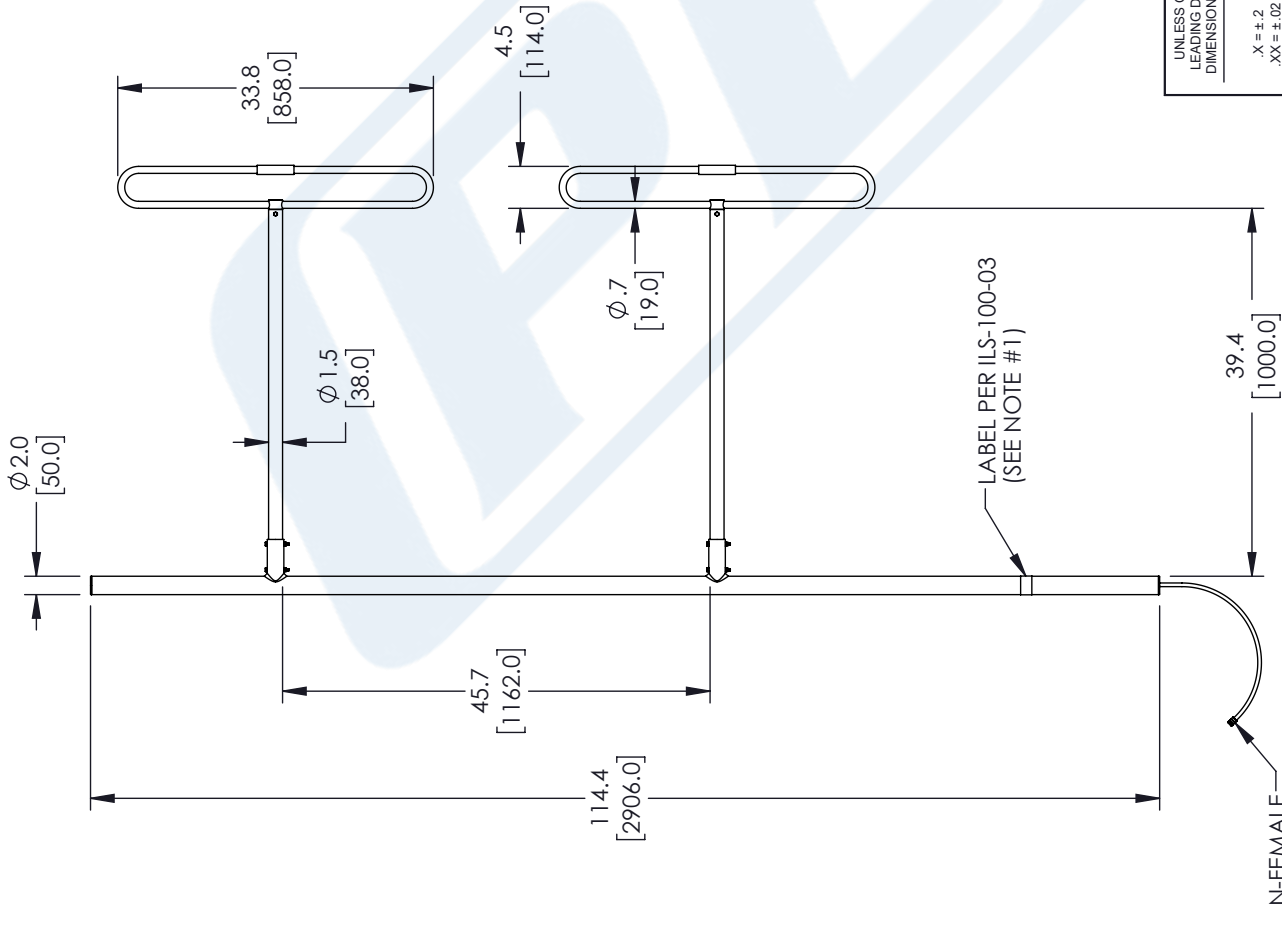
URL: <https://www.pasternack.com/7-dbi-antenna-138-174-mhz-n-type-female-connector-peaned1002-p.aspx>

The information contained in this document is accurate to the best of our knowledge and representative of the part described herein. It may be necessary to make modifications to the part and/or the documentation of the part, in order to implement improvements. Pasternack reserves the right to make such changes as required. Unless otherwise stated, all specifications are nominal. Pasternack does not make any representation or warranty regarding the suitability of the part described herein for any particular purpose, and Pasternack does not assume any liability arising out of the use of any part or documentation.

PEANED1002 CAD Drawing

2 Folded Dipole antenna, 138 MHz - 174 MHz, 7 dBi gain, 1/2 Wave
Bidirectional pattern, V-pol, Type N Female Connector

REVISIONS		
REV.	DESCRIPTION	DATE
A	INITIAL RELEASE	3/31/22
		APPROVED
		KHIETPAS



NOTES:
1. LABEL PER ILS-100-03 (FOR INTERNAL REFERENCE ONLY).
LABEL LOCATION FOR REFERENCE ONLY.

REGULATORY COMPLIANCE:
EU RoHS DIRECTIVE (MOST RECENT RELEASED VERSION)

UNLESS OTHERWISE SPECIFIED LEADING DIMENSIONS ARE INCHES DIMENSIONS IN [] ARE MILLIMETERS	
.X = ±.2 [5.08]	FRACTIONS ±.1/32
.XX = ±.02 [.51]	ANGLES ± 1°
.XXX = ±.005 [.13]	
CABLE LENGTH (L), TOLERANCES:	
L ≤ 12 [305]	±.1 [25] / -0
12 [305] < L ≤ 60 [1524]	±.2 [51] / -0
60 [1524] < L ≤ 120 [3048]	±.4 [102] / -0
120 [3048] < L ≤ 300 [7620]	±.6 [152] / -0
300 [7620] < L	±.5% [/ -0
ALL DIMENSIONS SHOWN ARE FOR REFERENCE ONLY.	

THIRD-ANGLE PROJECTION	
THE INFORMATION AND DESIGN IN THIS DOCUMENT IS THE PROPERTY OF PASTERNAK CORPORATION ALL RIGHTS RESERVED.	
SHEET 1	OF 1
SCALE	N/A
REV	A

PE PASTERNAK
an INFINITI® brand

Pasternack Enterprises, Inc.
P. O. Box 16759, Irvine, CA 92623.
Phone: 1.949.261.1920 | 1.866.727.8376
Fax: 1.949.261.7451
Website: www.pasternack.com
E-mail: sales@pasternack.com

SIZE	CAGE CODE	DRAWN BY	ITEM NO.
A	53919	DMAY	PEANED1002

THESE COMMODITIES, TECHNOLOGY OR SOFTWARE WERE EXPORTED FROM THE UNITED STATES IN ACCORDANCE WITH THE EXPORT ADMINISTRATION REGULATIONS. DIVERSION CONTRARY TO U.S. LAW PROHIBITED.