



WR-137 Waveguide Standard Gain Horn Antenna
Operating From 5.85 GHz to 8.2 GHz With a
Nominal 15 dBi Gain With CPRG Flange

Waveguide Antennas Technical Data Sheet

PE9859B-15-CPRG

Features

- WR-137 / R-70 / WG-14 Rectangular waveguide interface with 15 dBi Nominal Gain
- 5.85 GHz to 8.2 GHz Frequency range
- CPR-G (Grooved) flange
- Made from high-grade aluminum with corrosion resistant powder coating
- Consistent gain versus frequency
- TAA Compliant waveguides

Applications

- TAA Compliant waveguides (Made in USA)
- Typical low VSWR < 1.5
- Antenna measurements
- Microwave Radio systems solutions
- Wireless communications
- Radome, Automotive antenna, Satellite antenna testing
- Laboratory use

Description

Waveguide horn antennas PE9859B-15-CPRG from Pasternack is just one part in a large selection of our waveguide components. Pasternack's TAA Complaint waveguide horn antenna is manufactured with a WR-137 / R-70 / WG-14 waveguide size. Our WR-137 / R-70 / WG-14 waveguide horn antenna is constructed with a CPR-137G flange and built to precise RF wave waveguide horn antenna design specifications.

Pasternack's WR-137 / R-70 / WG-14 waveguide antenna with CPR-137G flange from Pasternack is a 15 dBi gain and in-stock now. Our WR-137 / R-70 / WG-14 , 15 dBi gain horn antenna has a minimum frequency of 5.85 (GHz) and a maximum frequency of 8.2 (GHz). This waveguide WR-137 / R-70 / WG-14 horn antenna is TAA complaint, which can be used for government and military purpose. PE9859B-15-CPRG horn antenna flange has EIA / IEC / UK designation WR-137 / R-70 / WG-14 respectively. This Antenna is ideal for measurement standard and calibration application. The Grooved design in CPR flange allows for tight pressurized fitting with no leaks.

Additional specs on this Waveguide horn with WR-137 / R-70 / WG-14 can be found on the datasheet specifications above. This Waveguide antenna is part of over one million RF, microwave, and millimeter wave components in stock. Our part number PE9859B-15-CPRG Wave guide horn antenna is ready for same day purchase and shipping worldwide. Pasternack also stocks a wide array of other waveguide products that ship same-day from our Lewisville, TX United States warehouse for all your RF/microwave and millimeter wave waveguide component needs.

Configuration

Design	WR-137 Standard Gain Horn
Pattern	Directional
Polarization	Linear

Electrical Specifications

Description	Minimum	Typical	Maximum	Units
Frequency Range	5.85		8.2	GHz
Nominal Gain		15		dBi
VSWR		1.5:1		

Click the following link (or enter part number in "SEARCH" on website) to obtain additional part information including price, inventory and certifications: [WR-137 Waveguide Standard Gain Horn Antenna Operating From 5.85 GHz to 8.2 GHz With a Nominal 15 dBi Gain With CPRG Flange PE9859B-15-CPRG](#)



WR-137 Waveguide Standard Gain Horn Antenna
Operating From 5.85 GHz to 8.2 GHz With a
Nominal 15 dBi Gain With CPRG Flange

Waveguide Antennas Technical Data Sheet

PE9859B-15-CPRG

Mechanical Specifications

Size

Length	3.54 in [89.92 mm]
Width	2.62 in [66.55 mm]
Height	6.38 in [162.05 mm]
Weight	0.48 lbs [217.72 g]

Waveguide Interface

Waveguide Size	WR-137
Flange Type	CPRG
Body Material and Plating	Aluminum

Compliance Certifications (see [product page](#) for current document)

Plotted and Other Data

WR-137 Waveguide Standard Gain Horn Antenna Operating From 5.85 GHz to 8.2 GHz With a Nominal 15 dBi Gain With CPRG Flange from Pasternack Enterprises has same day shipment for domestic and International orders. Our RF, microwave and millimeter wave products maintain a 99.4% availability and are part of the broadest selection in the industry.

Click the following link (or enter part number in "SEARCH" on website) to obtain additional part information including price, inventory and certifications: [WR-137 Waveguide Standard Gain Horn Antenna Operating From 5.85 GHz to 8.2 GHz With a Nominal 15 dBi Gain With CPRG Flange PE9859B-15-CPRG](#)

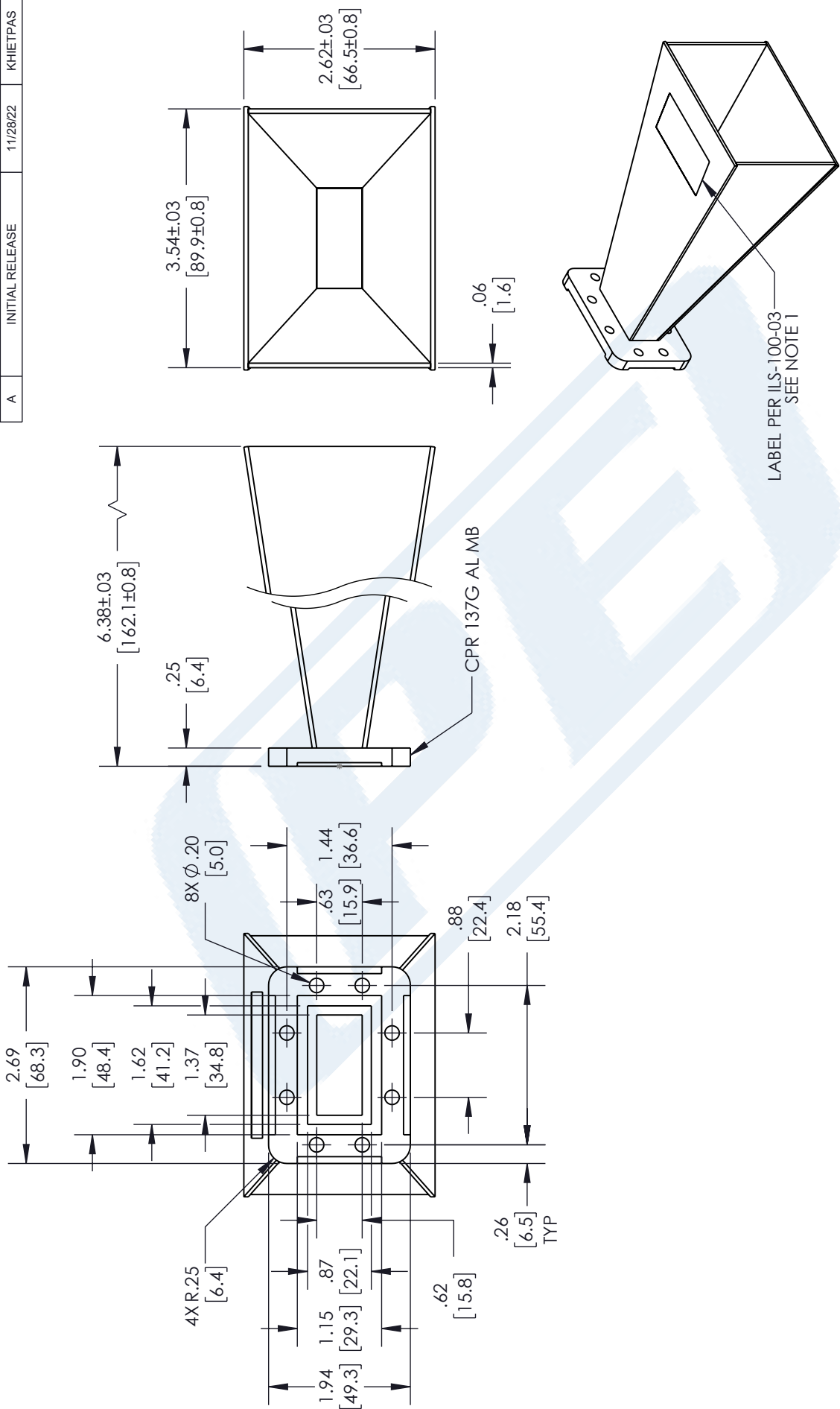
URL:

The information contained in this document is accurate to the best of our knowledge and representative of the part described herein. It may be necessary to make modifications to the part and/or the documentation of the part, in order to implement improvements. Pasternack reserves the right to make such changes as required. Unless otherwise stated, all specifications are nominal. Pasternack does not make any representation or warranty regarding the suitability of the part described herein for any particular purpose, and Pasternack does not assume any liability arising out of the use of any part or documentation.

PE9859B-15-CPRG CAD Drawing

WR-137 Waveguide Standard Gain Horn Antenna Operating From 5.85 GHz to 8.2 GHz With a Nominal 15 dBi Gain With CPRG Flange

REVISIONS			
REV.	DESCRIPTION	DATE	APPROVED
A	INITIAL RELEASE	11/28/22	KHIETPAS



<p>PE PASTERNAK an INFINITI[®] brand</p> <p>Pasternack Enterprises, Inc. P. O. Box 16759, Irvine, CA 92623. Phone: 1.949.261.1920 1.866.727.8376 Fax: 1.949.261.7451 Website: www.pasternack.com E-mail: sales@pasternack.com</p>	<p>THIRD-ANGLE PROJECTION</p> <p>THE INFORMATION AND DESIGN IN THIS DOCUMENT IS THE PROPERTY OF PASTERNAK CORPORATION ALL RIGHTS RESERVED.</p> <p>SHEET 1 OF 1</p>																								
	<p>SCALE N/A</p>																								
<p>UNLESS OTHERWISE SPECIFIED LEADING DIMENSIONS ARE INCHES DIMENSIONS IN [] ARE MILLIMETERS</p> <p>TOLERANCES:</p> <table border="0"> <tr> <td>.X = ±.2</td> <td>[5.08]</td> <td>FRACTIONS</td> </tr> <tr> <td>.XX = ±.02</td> <td>[.51]</td> <td>± 1/32</td> </tr> <tr> <td>.XXX = ±.005</td> <td>[.13]</td> <td>ANGLES ± 1°</td> </tr> </table> <p>CABLE LENGTH (L), TOLERANCES:</p> <table border="0"> <tr> <td>L ≤ 12</td> <td>[305]</td> <td>= +1 [25] / -0</td> </tr> <tr> <td>12 [305] < L ≤ 60</td> <td>[1524]</td> <td>= +2 [51] / -0</td> </tr> <tr> <td>60 [1524] < L ≤ 120</td> <td>[3048]</td> <td>= +4 [102] / -0</td> </tr> <tr> <td>120 [3048] < L ≤ 300</td> <td>[7620]</td> <td>= +6 [152] / -0</td> </tr> <tr> <td>300 [7620] < L</td> <td></td> <td>= +5% / -0</td> </tr> </table> <p>ALL DIMENSIONS SHOWN ARE FOR REFERENCE ONLY.</p>	.X = ±.2	[5.08]	FRACTIONS	.XX = ±.02	[.51]	± 1/32	.XXX = ±.005	[.13]	ANGLES ± 1°	L ≤ 12	[305]	= +1 [25] / -0	12 [305] < L ≤ 60	[1524]	= +2 [51] / -0	60 [1524] < L ≤ 120	[3048]	= +4 [102] / -0	120 [3048] < L ≤ 300	[7620]	= +6 [152] / -0	300 [7620] < L		= +5% / -0	<p>ITEM NO. PE9859B-15-CPRG</p>
.X = ±.2	[5.08]	FRACTIONS																							
.XX = ±.02	[.51]	± 1/32																							
.XXX = ±.005	[.13]	ANGLES ± 1°																							
L ≤ 12	[305]	= +1 [25] / -0																							
12 [305] < L ≤ 60	[1524]	= +2 [51] / -0																							
60 [1524] < L ≤ 120	[3048]	= +4 [102] / -0																							
120 [3048] < L ≤ 300	[7620]	= +6 [152] / -0																							
300 [7620] < L		= +5% / -0																							
<p>SIZE A</p>	<p>DRAWN BY VTHANGARAJ</p>																								

NOTES:

- LABEL PER ILS-100-03 (FOR INTERNAL USE ONLY). LABEL LOCATION SHOWN IS FOR REFERENCE ONLY.

REGULATORY COMPLIANCE:
EU ROHS DIRECTIVE (MOST RECENT RELEASED VERSION)

THESE COMMODITIES, TECHNOLOGY OR SOFTWARE WERE EXPORTED FROM THE UNITED STATES IN ACCORDANCE WITH THE EXPORT ADMINISTRATION REGULATIONS. DIVERSION CONTRARY TO U.S. LAW PROHIBITED.