



2.4-2.5 GHz / 5.1-5.9 GHz 7dBi Dual Band Rigid Rubberduck Antenna

Antennas Technical Data Sheet

PE51RD1006

Features

- 4.5 dBi @ 2.4 GHz / 7 dBi @ 5.8 GHz
- Dual band design
- Rugged composite radome
- Rigid Type N-Male connector
- Compact size

Applications

- IEEE 802.11a/b/g/n and 802.11ac access points and routers
- 5.8 GHz ISM/UNII/ WiMAX Applications
- 2.4 GHz ISM Applications
- 2.4 / 5.8 GHz Wireless Video Systems
- Radio Local Area Networks

Description

The HyperLink PE51RD1006 is a high performance Dual Band rubber-duck antenna designed to operate in 2.4 GHz to 2.5 GHz or 5.1 GHz to 5.9 GHz bands. The Dual Band design of this antenna eliminates the need to purchase different antennas for each frequency.

Measuring 7.07" long, this antenna features rugged composite blade style radome, Rigid N-Male connector and is ideal for use outdoors with n type 2.4/5.8GHz devices. Optional magnetic mount is available for indoor use as well.

Configuration

Design	Rubber Duck
Band Type	Dual
Radiation Pattern	Omni Directional
Polarization	Vertical
Connector Type	N Male
Number of Ports	1

Electrical Specifications

Description	Minimum	Typical	Maximum	Units
Input VSWR			2:1	
Impedance		50		Ohms
Gain		4.5		dBi

Specifications by Band

Description	Band 1	Band 2	Band 3	Band 4	Band 5	Units
Range	2,400-2,500	5,150-5,850				MHz
Gain	4.5	7				dBi
Horizontal Beam Width	360	360				Degees
Vertical Beam Width	30	30				Degees

Click the following link (or enter part number in "SEARCH" on website) to obtain additional part information including price, inventory and certifications: [2.4-2.5 GHz / 5.1-5.9 GHz 7dBi Dual Band Rigid Rubberduck Antenna PE51RD1006](#)



2.4-2.5 GHz / 5.1-5.9 GHz 7dBi Dual Band
Rigid Rubberduck Antenna

Antennas Technical Data Sheet

PE51RD1006

Mechanical Specifications

Radome Material

ABS

Size

Overall Length

7.07 in [179.58 mm]

Width

0.89 in [22.61 mm]

Height

0.89 in [22.61 mm]

Weight

0.2 lbs [90.72 g]

Compliance Certifications (see [product page](#) for current document)

Plotted and Other Data

Notes:

Click the following link (or enter part number in "SEARCH" on website) to obtain additional part information including price, inventory and certifications: [2.4-2.5 GHz / 5.1-5.9 GHz 7dBi Dual Band Rigid Rubberduck Antenna PE51RD1006](#)

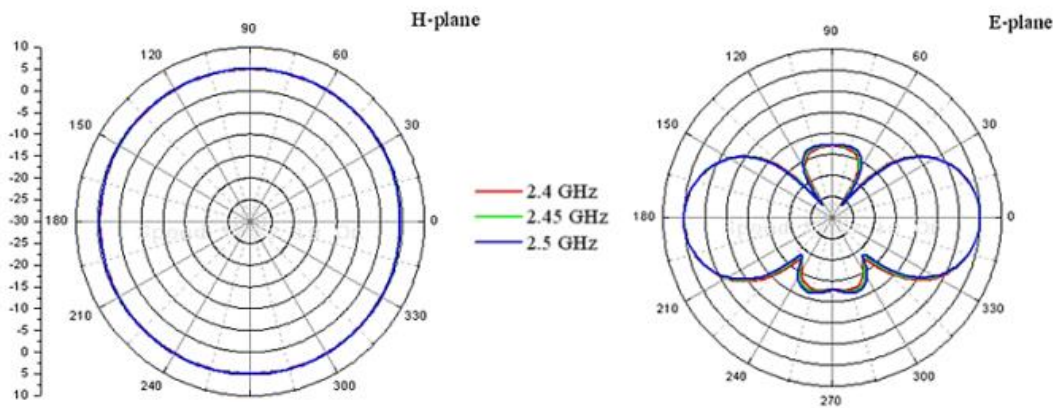
2.4-2.5 GHz / 5.1-5.9 GHz 7dBi Dual Band
Rigid Rubberduck Antenna

Antennas Technical Data Sheet

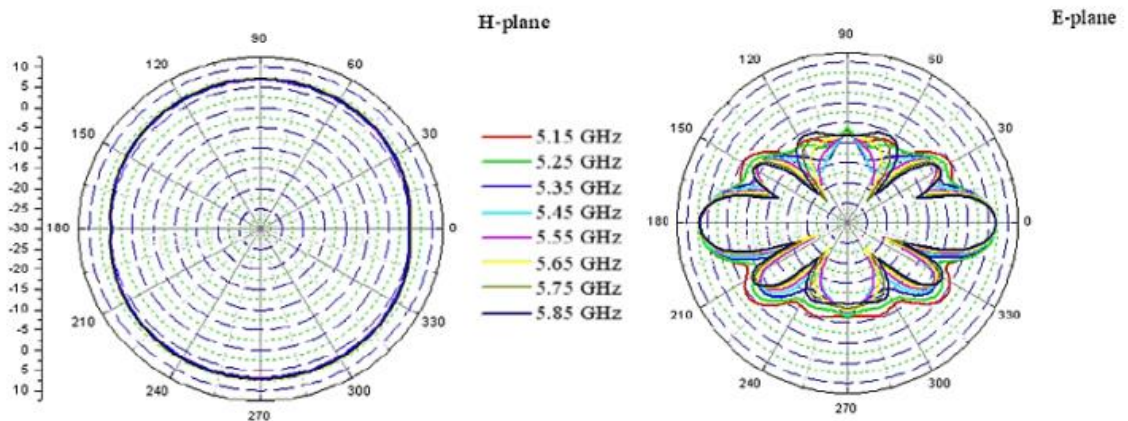
PE51RD1006

Typical Radiation Pattern

RF Antenna Patterns 2.4 GHz



RF Antenna Patterns 5.8 GHz



Click the following link (or enter part number in "SEARCH" on website) to obtain additional part information including price, inventory and certifications: [2.4-2.5 GHz / 5.1-5.9 GHz 7dBi Dual Band Rigid Rubberduck Antenna PE51RD1006](#)



2.4-2.5 GHz / 5.1-5.9 GHz 7dBi Dual Band Rigid Rubberduck Antenna

Antennas Technical Data Sheet

PE51RD1006

2.4-2.5 GHz / 5.1-5.9 GHz 7dBi Dual Band Rigid Rubberduck Antenna from Pasternack Enterprises has same day shipment for domestic and International orders. Our RF, microwave and millimeter wave products maintain a 99.4% availability and are part of the broadest selection in the industry.

Click the following link (or enter part number in "SEARCH" on website) to obtain additional part information including price, inventory and certifications: [2.4-2.5 GHz / 5.1-5.9 GHz 7dBi Dual Band Rigid Rubberduck Antenna PE51RD1006](#)

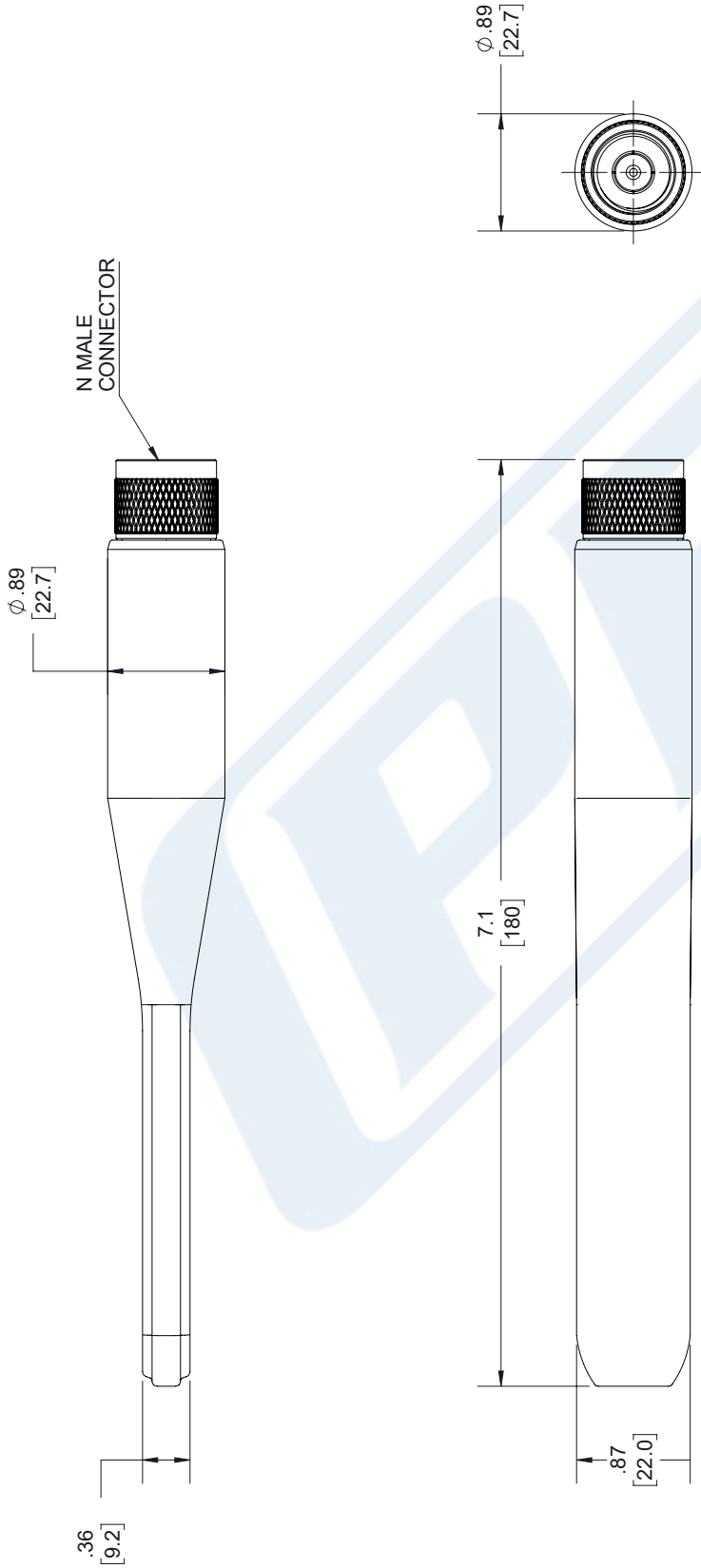
URL: <https://www.pasternack.com/dual-antenna-4.5-dbi-gain-n-pe51rd1006-p.aspx>

The information contained in this document is accurate to the best of our knowledge and representative of the part described herein. It may be necessary to make modifications to the part and/or the documentation of the part, in order to implement improvements. Pasternack reserves the right to make such changes as required. Unless otherwise stated, all specifications are nominal. Pasternack does not make any representation or warranty regarding the suitability of the part described herein for any particular purpose, and Pasternack does not assume any liability arising out of the use of any part or documentation.

PE51RD1006 CAD Drawing

2.4-2.5 GHz / 5.1-5.9 GHz 7dBi Dual Band Rigid Rubberduck Antenna

REVISIONS			
REV.	DESCRIPTION	DATE	APPROVED
A	INITIAL RELEASE	2/18/2020	M.MILLER



THIRD-ANGLE PROJECTION

THE INFORMATION AND DESIGN IN THIS DOCUMENT IS THE PROPERTY OF PASTERNAK CORPORATION ALL RIGHTS RESERVED.

SHEET 1 OF 1

SCALE N/A

REV A

PE PASTERNAK
an INFINIT brand

Pasternack Enterprises, Inc.
P. O. Box 16759, Irvine, CA 92623.
Phone: 1.949.261.1920 | 1.866.727.8376
Fax: 1.949.261.7451
Website: www.pasternack.com
E-mail: sales@pasternack.com

ITEM NO PE51RD1006

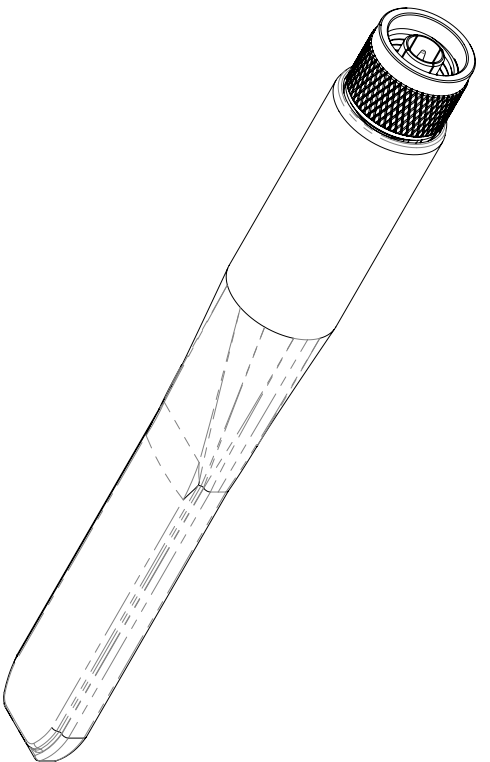
SIZE A CAGE CODE 53919 DRAWN BY K.DANG

UNLESS OTHERWISE SPECIFIED LEADING DIMENSIONS ARE INCHES DIMENSIONS IN [] ARE MILLIMETERS

TOLERANCES:

.X = ±.2	[5.08]	FRACTIONS	± 1/32
.XX = ±.02	[.51]	ANGLES ± 1°	
.XXX = ±.005	[.13]	CABLE LENGTH (L) TOLERANCES:	
		L ≤ 12 [305]	±.1 [25] / -0
		12 [305] < L ≤ 60 [1524]	±.2 [51] / -0
		60 [1524] < L ≤ 120 [3048]	±.4 [102] / -0
		120 [3048] < L ≤ 300 [7620]	±.6 [152] / -0
		300 [7620] < L ≤ ∞	±.9% L / -0

ALL DIMENSIONS SHOWN ARE FOR REFERENCE ONLY.



THESE COMMODITIES, TECHNOLOGY OR SOFTWARE WERE EXPORTED FROM THE UNITED STATES IN ACCORDANCE WITH THE EXPORT ADMINISTRATION REGULATIONS. DIVERSION CONTRARY TO U.S. LAW PROHIBITED.