

# Product Specification



## Patch Antenna

### JLT868S50P9A

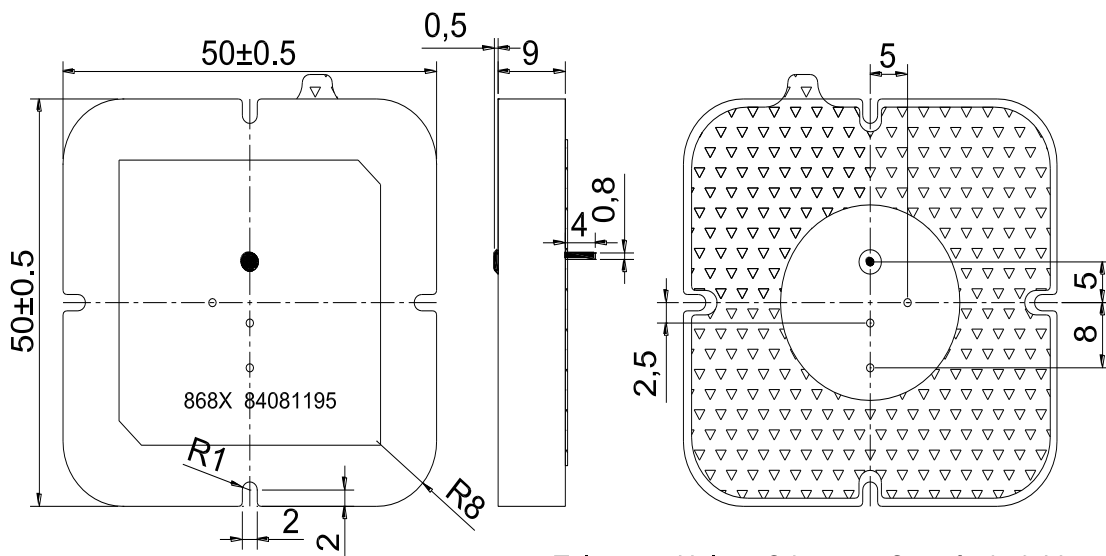
#### Feature

- High gain , Compact
- Pin type
- Customization available

#### Electrical Specification

Center Frequency	866.5± 3.0 MHz
Return Loss @ F0	≥ 15dB
Polarization	RHCP
Ground plane	70x70mm
Impedance	50 Ω
Operation Temperature Range	-40 ~ +85°C

#### Mechanical Drawing



The last "X" is the month code

Tolerance Unless Otherwise Specified:  $\pm 0.30$   
Unit: mm

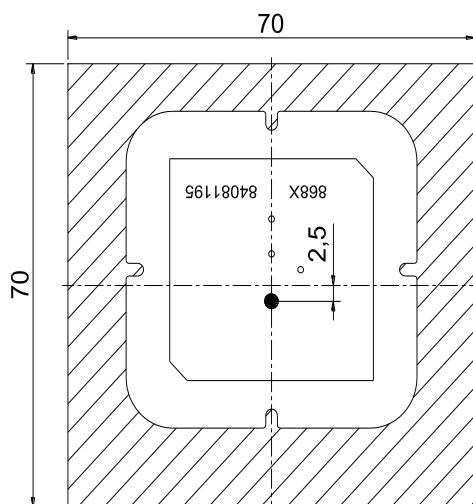
# Product Specification



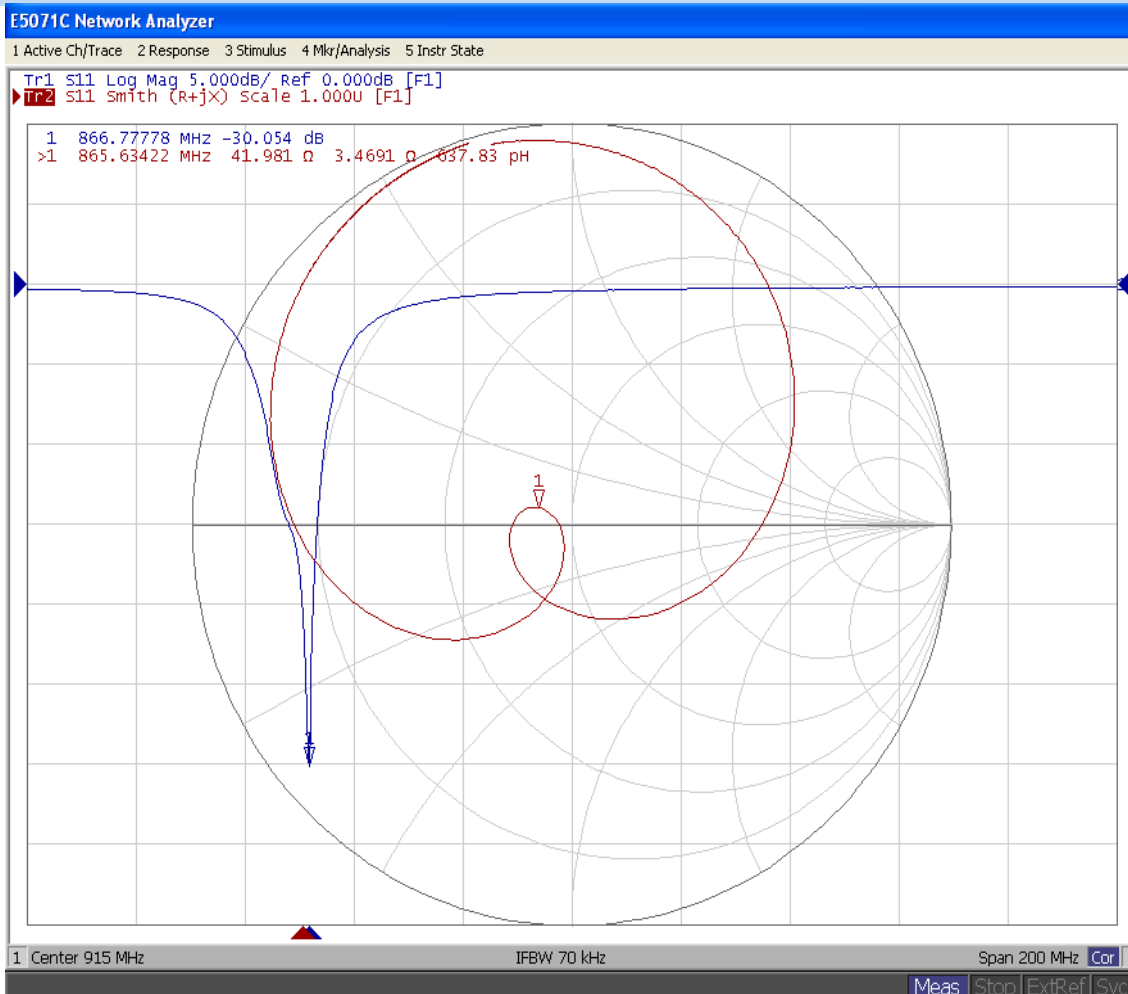
## Patch Antenna

### JLT868S50P9A

#### Test Fixture



#### Characteristics

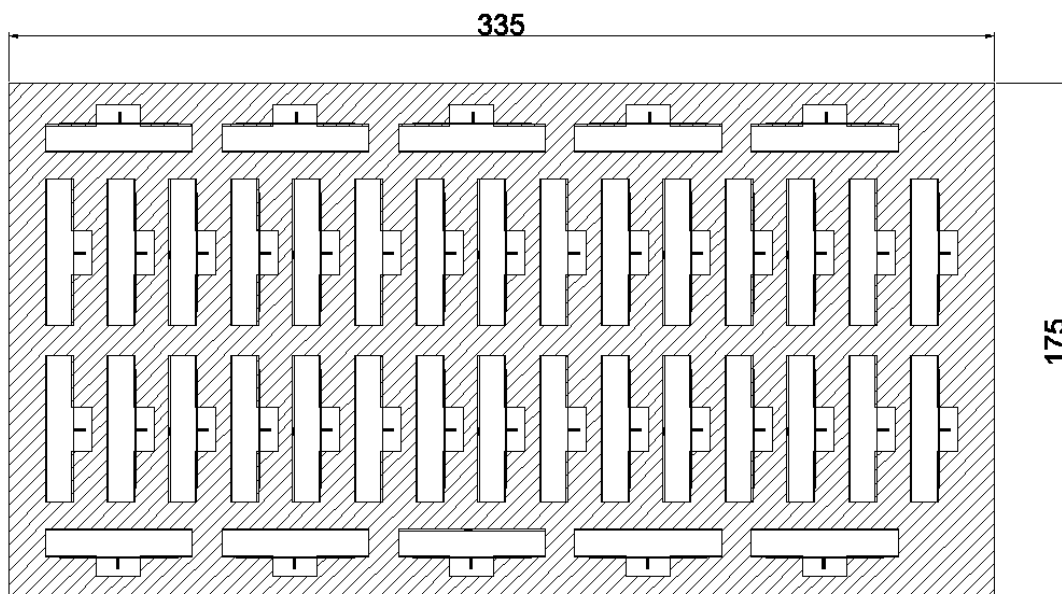
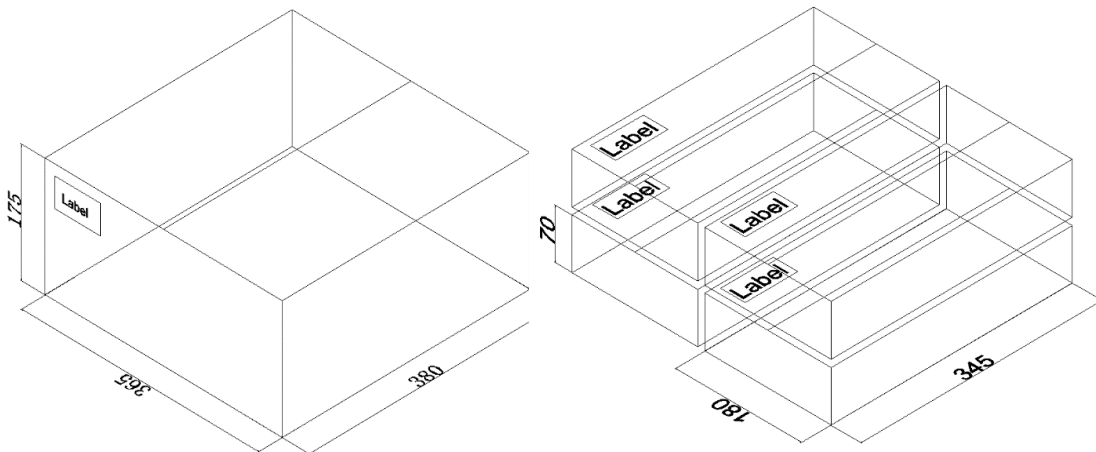


# Product Specification



## Patch Antenna JLT868S50P9A

### Packaging



Per package base	40 elements
Per inner box	1 bag
Per package	4 inner boxes ( 160 pieces of elements )