

SENCITY® Rail Antenna with GPS

87010006

Properties

- Railway rooftop multiband antenna for 430-470 MHz and 870-960 MHz
- Embedded GPS antenna (requires separate LNA such as 86010142)
- The antenna can be operated in all frequency ranges simultaneously
- Multiple Antenna installations support Cellular MIMO
- Rugged design, meets EN 50155 Railway Standard
- Fire retardant acc. to EN 45545-2
- Works also on non-metallic surfaces

**Electrical bands**

	Band 1	Band 2	Band 3
Name			GPS
Frequency	430 MHz ... 470 MHz	870 MHz ... 960 MHz	1574.4 MHz ... 1576.4 MHz
VSWR	1.5	1.5	2
Impedance	50 Ω	50 Ω	50 Ω
Gain	3.5 dBi	4.5 dBi	6.5 dBi
Ambient Temperature	25 °C	25 °C	

Electrical remarks

Remarks	Indicated VSWR values are valid for a metallic ground plane of 1M x 2M or larger
---------	--

Ports

	Port 1	Port 2
Port name	Tetra/Cell	GPS
Connector	N, jack (female)	TNC, plug (male)
Polarization	vertical	circular right

SENCITY® Rail Antenna with GPS

87010006

Ports		
	Port 1	Port 2
DC grounded	Yes	Yes

Connections		
Port number	Port 1	Port 2
Band 1	✓	
Band 2	✓	
Band 3		✓

Mechanical data	
Weight	0.5 kg
Dimensions	150 mm x 145 mm x 85 mm (Height x Width x Depth)
	Packaging size (outside): 150 x 90 x 190 mm
Remarks	Radiator: Copper and brass. Flange: Anodized Aluminum. All screws and nuts: Stainless steel. Sealing: Neoprene and silicon.

Interface and material data	
Radome material	Fiberglass
Radome colour	Grey
Back plate/base plate material	Aluminum
Back plate/base plate colour	Black

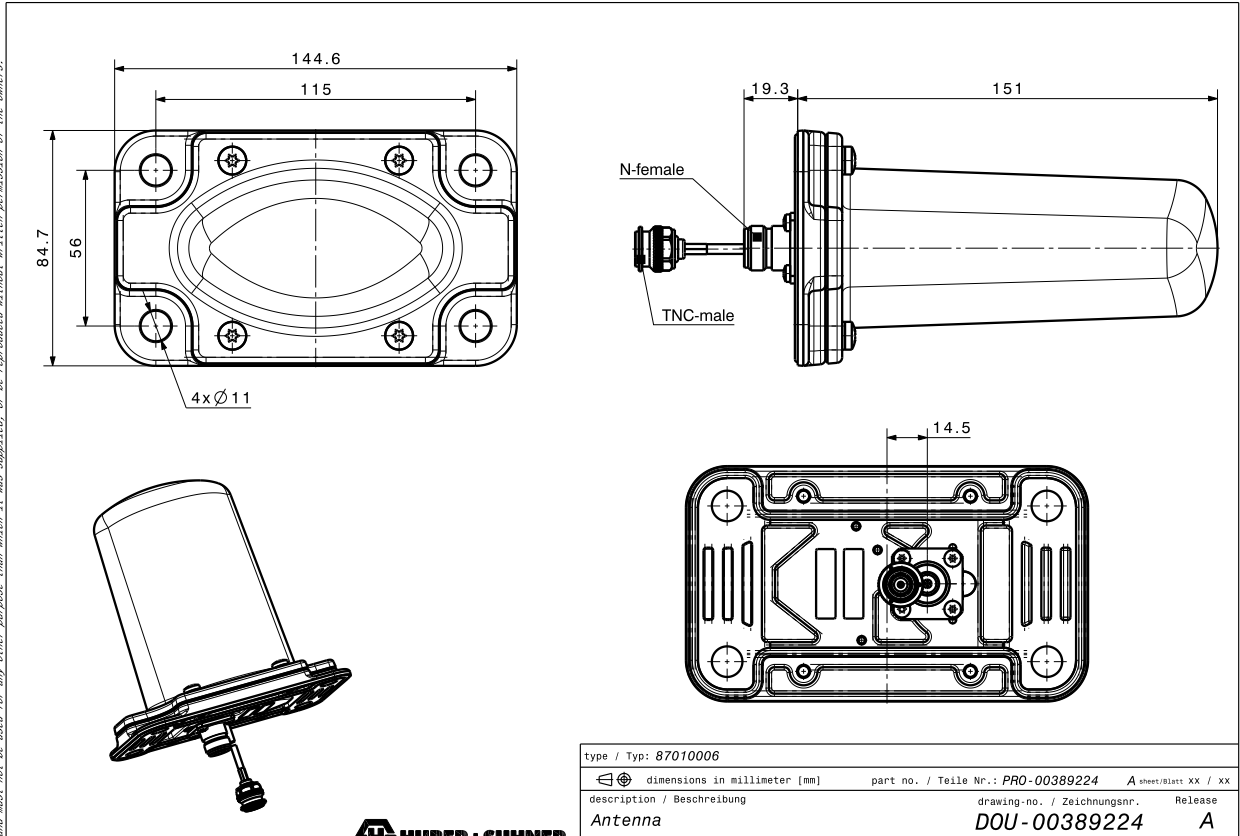
Environmental data	
Operation temperature	-40 °C ... 85 °C
Storage temperature	-40 °C ... 85 °C
Environment (application)	Outdoor
Ingress protection (IP Rating)	Mated / IP66
Flammability rating	EN 45545-2

Environmental remarks
Environmental tests: EN 50155:2018-05

Additional Information
This antenna, tested by an independent institute, is DC grounded to protect against lightning and short circuit from high-voltage lines

SENCITY® Rail Antenna with GPS
87010006

Outline drawing



Diese Zeichnung ist unser geistiges Eigentum und darf ohne unsere Einwilligung weder kopiert, reproduziert, noch Dritten weitergegeben werden. Nachdruck, Vervielfältigung und Verbreitung, auch auszugsweise, ist ohne schriftliche Genehmigung der Huber+Suhner AG. This drawing is our intellectual property and may not be used for any other purpose than which it was supplied, or be reproduced without written permission of the company.



HUBER+SUHNER is certified by ISO 9001, ISO 14001, ISO 45001, IATF 16949, AS/EN 9100 and ISO/TS 22163-IRIS. Waiver: Facts and figures herein are for information only and do not represent any warranty of any kind. DOCUMENT PIM-P1237 / Date of publication: 10.06.2024 / uncontrolled copy