

**SENCITY® OMNI-SR LTE WiFi 2x2 MIMO Antenna**

1399.17.0264

**Properties**

- Compact omni-directional 2x2 MIMO Cellular/Wi-Fi Railway in-carriage antenna
- Supports cellular 3G 900 / 2100 MHz bands
- Supports cellular 4G 800 / 1800 / 2600 MHz bands
- Supports 2x2 Wi-Fi MIMO in all Wi-Fi 6E bands
- Rugged design, meets EN 50155 Railway Standard
- Fire retardant according to EN 45545-2 and NFPA-130
- Single hole mounting
- Cable length 0.5m

**Electrical bands**

	<b>Band 1</b>	<b>Band 2</b>	<b>Band 3</b>	<b>Band 4</b>
Frequency	790 MHz ... 900 MHz	900 MHz ... 960 MHz	1710 MHz ... 1750 MHz	1750 MHz ... 2700 MHz
VSWR	2	2.3	2.3	1.8
Impedance	50 Ω	50 Ω	50 Ω	50 Ω
Gain	4 dBi	4 dBi	4 dBi	6 dBi
Isolation between Ports	5 dB	5 dB	12 dB	12 dB
Ambient Temperature	25 °C	25 °C	25 °C	25 °C

	<b>Band 5</b>	<b>Band 6</b>
Frequency	4900 MHz ... 6425 MHz	6425 MHz ... 7125 MHz
VSWR	1.5	2.2
Impedance	50 Ω	50 Ω
Gain	6 dBi	6 dBi
Isolation between Ports	20 dB	26 dB
Ambient Temperature	25 °C	25 °C

**SENCITY® OMNI-SR LTE WiFi 2x2 MIMO Antenna**

1399.17.0264

Electrical remarks	
Remarks	Ground plane: Antenna works on metallic as well as on non-metallic ground plane. Indicated gain and VSWR values are valid for an antenna mounted on metallic ground plane of 0.5m diameter.

Ports		
	Port 1	Port 2
Port name	Cell/Wi-Fi	Cell/Wi-Fi
Connector	N, plug (male)	N, plug (male)
Cable type	RADOX_RF_316_D	RADOX_RF_316_D
Cable length	0.5 m	0.5 m
Polarization	vertical	vertical
DC grounded	Yes	Yes

Connections		
Port number	Port 1	Port 2
Band 1	✓	✓
Band 2	✓	✓
Band 3	✓	✓
Band 4	✓	✓
Band 5	✓	✓
Band 6	✓	✓

Mechanical data	
Weight	0.9 kg
Dimensions	33.2 mm x 145 mm (Height x Diameter)

Interface and material data	
Radome material	PC (Polycarbonate)
Radome colour	RAL 7044 (grey)

Environmental data	
Operation temperature	-45 °C ... 85 °C
Storage temperature	-45 °C ... 85 °C
Transport temperature	-45 °C ... 85 °C
Environment (application)	Indoor/Outdoor
Ingress protection (IP Rating)	Mated / IP68, IP69
Flammability rating	EN 45545-2
Solar radiation	UL 746C, F1

**SENCITY® OMNI-SR LTE WiFi 2x2 MIMO Antenna**

1399.17.0264

**Environmental remarks**

Flamability: EN 45545-2 (2013) HL3, NFPA130 (2013)

Environment: EN 50155 (2016)

Cooling EN 60068-2-1 (2007), test Ad, -55°C, 8h

Dry heat EN-60068-2-2 (2007), test Bb, +85°C, 8h

Damp heat cyclic EN 60068-2-30, +25/55°C

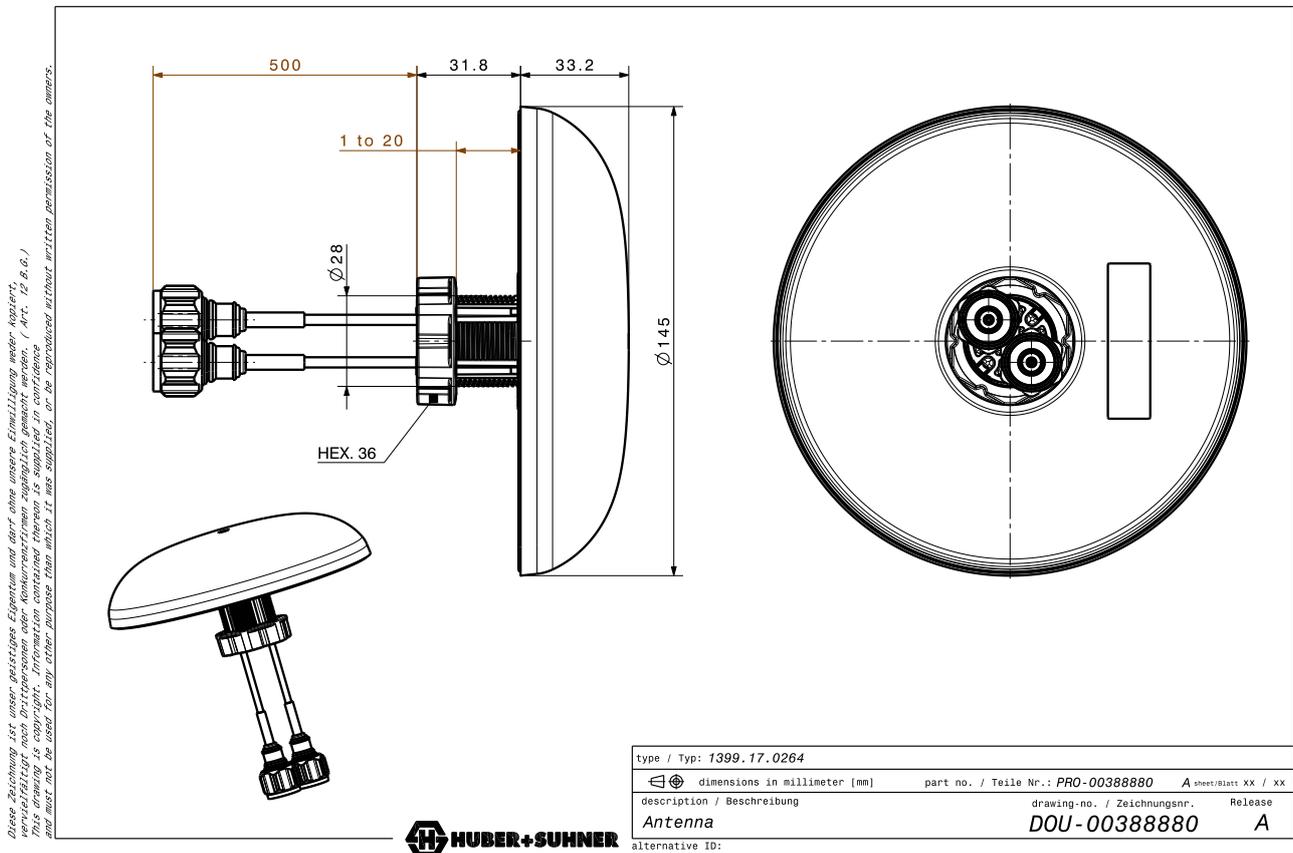
Temperature change EN 60068-2-14 (2008), -40/+85°C

Salt mist EN 60068-2-11 (2008), 96h

Mechanical vibration/shock/simulated lifetime: IEC 61373 (2010), § 9 and § 10, category 1B

Hammer impact test: EN 60068-2-75 (1997), IEC 62262 (2002) IK10, test Ehc

Corrosion: MIL-F-14072 E type 1 "exposed"

**Outline drawing**

HUBER+SUHNER is certified by ISO 9001, ISO 14001, ISO 45001, IATF 16949, AS/ EN 9100 and ISO/TS 22163-IRIS. Waiver: Facts and figures herein are for information only and do not represent any warranty of any kind.  
DOCUMENT PIM-P35350 / Date of publication: 06.06.2024 / uncontrolled copy