

617-960 MHz / 1710-2700 MHz / 3300-4200 MHz / 4900-6000 MHz Low PIM Rated X-pol 5.5 dBi Panel Antenna, Wall Mount, 2x4.3-10 Female Connector

The wall mount MIMO panel FM51FP1015 antenna from Fairview Microwave is a high performance, low PIM rated RF component which operates from 617 to 6000 MHz. The FM51FP1015 antenna is ideal for 5G, LTE, CDMA, LPWAN/IoT/M2M applications including LoRA, LTE-M, NB-IOT and Distributed Antenna System (DAS) Networks. The Multi-Band design of the Fairview Microwave FM51FP1015 antenna can be used for a wide array of in-building wireless applications where wide coverage is desired. Fairview Microwave's FM51FP1015 can be used to distribute Cellular and WiFi signals throughout a building or area.

The 4.3-10 connectorized FM51FP1015 antenna with +/-45 slant polarization from Fairview Microwave provides Passive Intermodulation (PIM) ratings better than -150 dBc. The key to providing the best performance in telecommunications is to ensure the components used are low PIM rated. The 617-6000 MHz FM51FP1015 with 7 dBi max gain helps meet the increasing demand for higher data rates and the ability to provide streaming video for mobile devices.

The 4.3-10 connectorized FM51FP1015 antenna from Fairview Microwave excels in large open areas such as indoor courtyards, indoor sporting venues, convention centers and shopping malls. The mounting bracket and hardware are included for easy installation. Fairview Microwave wall mount MIMO panel with 4.3-10 female purchases will ship the same day. Our FM51FP1015 antenna is part of over one million RF, microwave and millimeter wave components in stock and ready for same-day shipment worldwide.

Configuration

Design	Panel
Frequency Range	617 to 6000 MHz
Gain	5.5 to 7 dBi
Polarization	±45 Deg. Slant
Connector Type	4.3-10 Female
Interface 2	4.3-10 Female
Number of Ports	2

Electrical Specifications

Description	Min	Typ	Max	Units
Gain		5.5		dBi
Gain			7	dBi
Input Power			50	Watts
VSWR			2:1	
Passive Intermodulation 3rd Order, 2 x 20 W		-153		dBc

Specifications by Frequency

Description	Band 1	Band 2	Band 3	Band 4	Band 5	Units
Range	0.617-0.698	0.698-0.96	1.71-2.7	3.3-4.2	4.9-6	GHz
Port to Port Isolation	20	20	20	28	30	dB
Gain	5.5	6	7	6	6.5	dBi
Horiz. Beam Width	80	70	68	55	50	Degrees



Features:

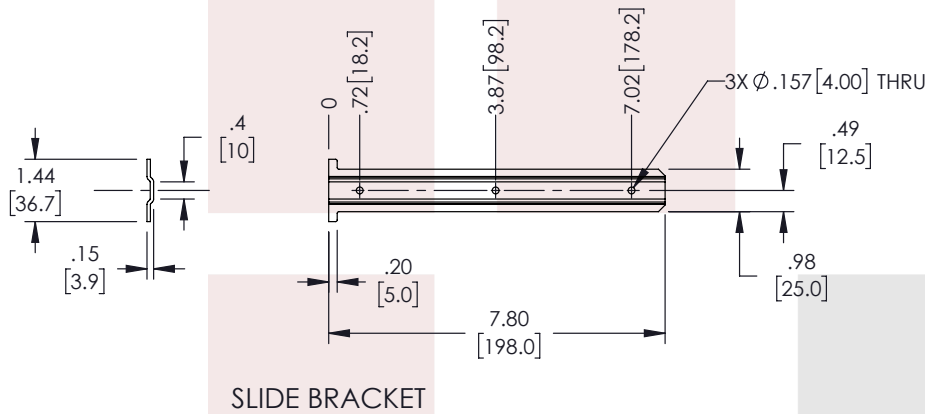
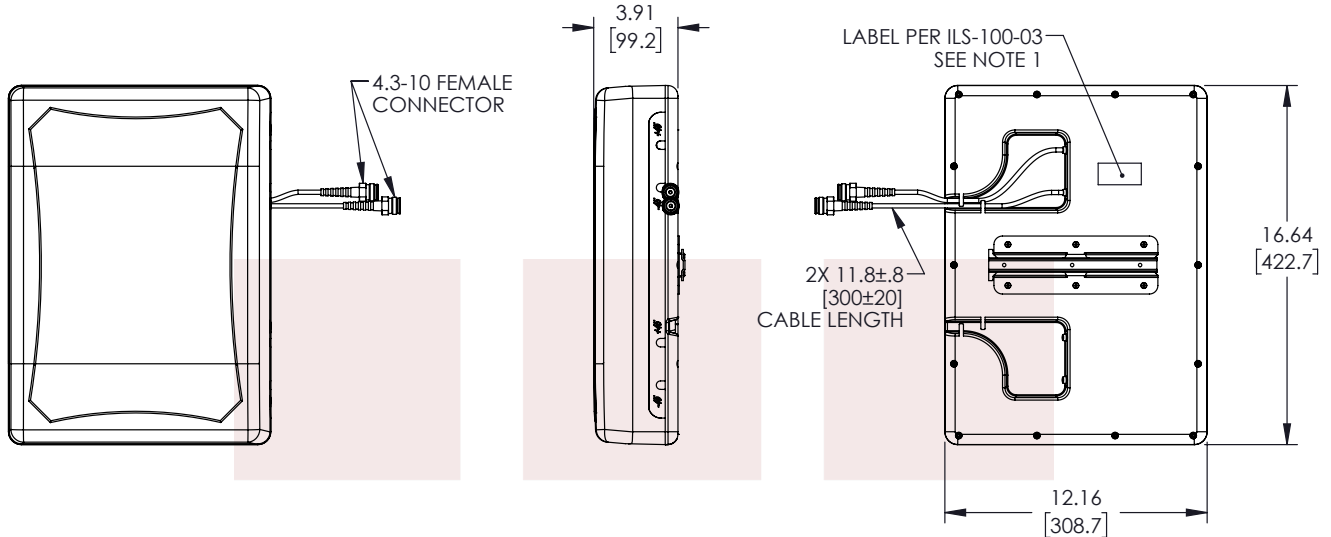
- Low Passive Intermodulation (PIM) <-153 dBc @ 2x20W
- +/- 45 Slant Polarization
- Low return loss, stable performance
- 2 x 4.3-10 Female connector for long lasting consistent results
- Covers all sub 6 GHz 5G frequency bands including 600 MHz and extended CBRS

Applications:

- Indoor distribution of 5G, LTE, GSM/CDMA
- In-building public or private networks
- LPWAN, LoRA, LTE-M, NB-IoT, IoT, M2M applications
- MIMO DAS (Distributed Antenna Systems)
- Wall Mounts

Fairview Microwave
301 Leora Ln., Suite 100
Lewisville, TX 75056
Tel: 1-800-715-4396 / (972) 649-6678
Fax: (972) 649-6689
www.fairviewmicrowave.com
sales@fairviewmicrowave.com

REVISIONS			
REV.	DESCRIPTION	DATE	APPROVED
A	INITIAL RELEASE	04/21/2021	KHIETPAS



NOTES:

1. LABEL PER ILS-100-03 (FOR INTERNAL REFERENCE ONLY)
LABEL LOCATION FOR REFERENCE ONLY.

THESE COMMODITIES, TECHNOLOGY OR SOFTWARE WERE EXPORTED FROM THE UNITED STATES IN ACCORDANCE WITH THE EXPORT ADMINISTRATION REGULATIONS. DIVERSION CONTRARY TO U.S. LAW PROHIBITED.

TITLE

617-960 MHz / 1710-2700 MHz / 3300-4200 MHz /
4900-6000 MHz Low PIM Rated X-pol 5.5 dBi Panel
Antenna, Wall Mount, 2x4.3-10 Female Connector

UNLESS OTHERWISE SPECIFIED LEADING DIMENSIONS ARE INCHES
DIMENSIONS IN [] ARE MILLIMETERS

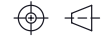
TOLERANCES:

.X = ±.2 [5.08] FRACTIONS ± 1/32
.XX = ±.02 [51] ANGLES ± 1°
.XXX = ±.005 [13]

CABLE LENGTH (L) TOLERANCES:

L ≤ 12 [305] = +1 [25] / -0
12 [305] < L ≤ 60 [1524] = +2 [51] / -0
60 [1524] < L ≤ 120 [3048] = +4 [102] / -0
120 [3048] < L ≤ 300 [7620] = +6 [152] / -0
300 [7620] < L = +5%L / -0

THIRD-ANGLE PROJECTION



THE INFORMATION AND DESIGN IN THIS DOCUMENT IS THE PROPERTY OF FAIRVIEW MICROWAVE CORPORATION. ALL RIGHTS RESERVED.

SHEET 1 OF 1

SCALE N/A

ALL DIMENSIONS SHOWN ARE FOR REFERENCE ONLY.

SIZE A	CAGE CODE 3FKR5	DRAWN BY DZINN	ITEM NO. FM51FP1015	REV A
-----------	--------------------	-------------------	------------------------	----------

T-Rev.D