



3.5 dB NF, 13.5 dBm P1dB, 26.5 GHz to 40 GHz, Low Noise Broadband Amplifier, 22 dB Gain, 2.92mm

TECHNICAL DATA SHEET PE15A3261

The PE15A3261 is a 13.5 dBm power amplifier designed for operation in the 26.5 GHz to 40 GHz frequency range. The amplifier provides an IP3 of 22 dBm Typ and 22 dB of Gain Min over the operating frequency range. The amplifier requires only +12 VDC power supply.

Features

- 26.5 GHz to 40 GHz Frequency Range
- P1dB 13.5 dBm min.
- IP3 22 dBm typ.
- Gain 22 dB typ.
- Gain Flatness +/-0.75 dB

Applications

- Medium Power Amplifier
- Driver Amp
- Military Communications
- Test & Measurement

Electrical Specifications (TA= 25°C, VDC1 = 12 Vdc)

Description	Minimum	Typical	Maximum	Units
Frequency Range	26.5		40	GHz
Gain	20	22	25	dB
Gain Flatness		±1	±1.5	dB
Output at 1 dB Compression Point	+10	+13.5		dBm
Output 3 rd Intercept Point	+18	+22		dBm
Reverse Isolation		45		dB
Spurious		-60		dBc
Noise Figure		3.5	5	dB
Input VSWR		1.7:1	2.5:1	
Output VSWR		1.7:1	2.5:1	
Operating DC Voltage 1	8	12	15	Volts
Operating DC Current	110	125	150	mA
Operating Temperature Range (OTR)	-40		+75	°C

Absolute Maximum Rating

Parameter	Rating	Units
Source Voltage	+18	Volts
RF input Power	+10	dBm
Operating Temperature (base-plate)	-40 to +75	°C
Storage Temperature	-55 to +125	°C



ESD Sensitive Material,
Transport material in
Approved ESD bags.
Handle only in approved
ESD Workstation.

Click the following link (or enter part number in "SEARCH" on website) to obtain additional part information including price, inventory and certifications: [3.5 dB NF, 13.5 dBm P1dB, 26.5 GHz to 40 GHz, Low Noise Broadband Amplifier, 22 dB Gain, 2.92mm PE15A3261](#)



3.5 dB NF, 13.5 dBm P1dB, 26.5 GHz to 40 GHz, Low Noise Broadband Amplifier, 22 dB Gain, 2.92mm

TECHNICAL DATA SHEET

PE15A3261

Mechanical Specifications

Size

Length	1.5 in [38.1 mm]
Width	1 in [25.4 mm]
Height	0.4 in [10.16 mm]
Weight	0.068 lbs [30.84 g]
Input Connector	2.92mm Female
Output Connector	2.92mm Female

Environmental Specifications

Temperature

Operating Range	-40 to +75 deg C
Storage Range	-45 to +125 deg C

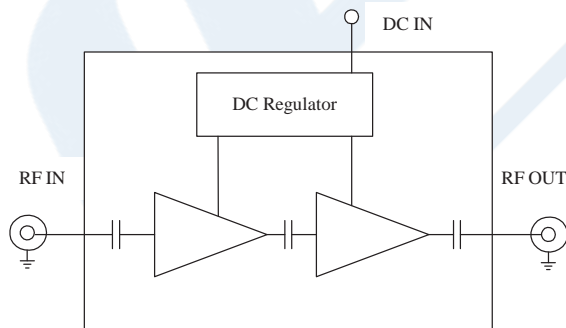
Compliance Certifications (see [product page](#) for current document)

Plotted and Other Data

Notes:

- Values at +25 °C, sea level
- ESD Sensitive Material, Transport material in Approved ESD bags. Handle only in approved ESD Workstation.

Functional Block Diagram



Click the following link (or enter part number in "SEARCH" on website) to obtain additional part information including price, inventory and certifications: [3.5 dB NF, 13.5 dBm P1dB, 26.5 GHz to 40 GHz, Low Noise Broadband Amplifier, 22 dB Gain, 2.92mm PE15A3261](#)

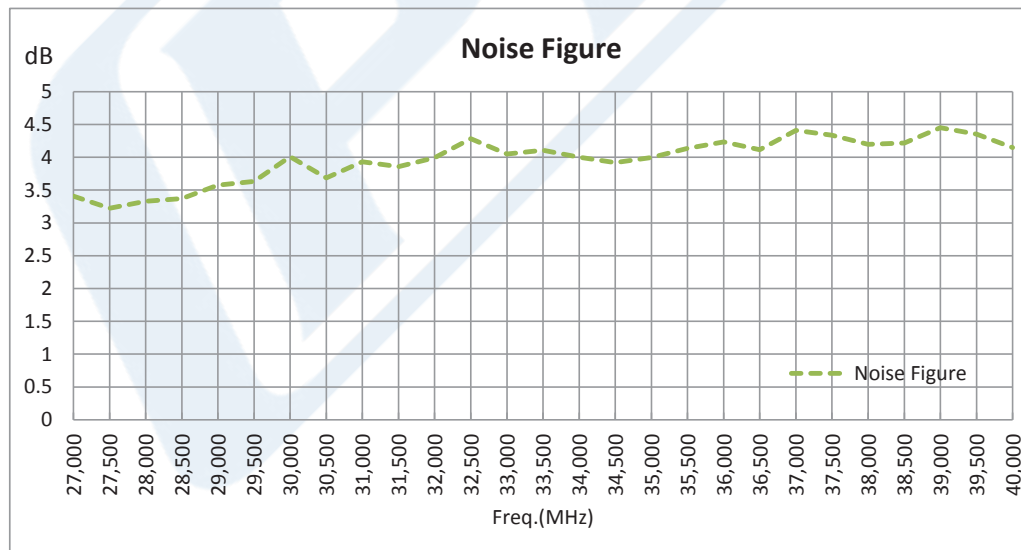
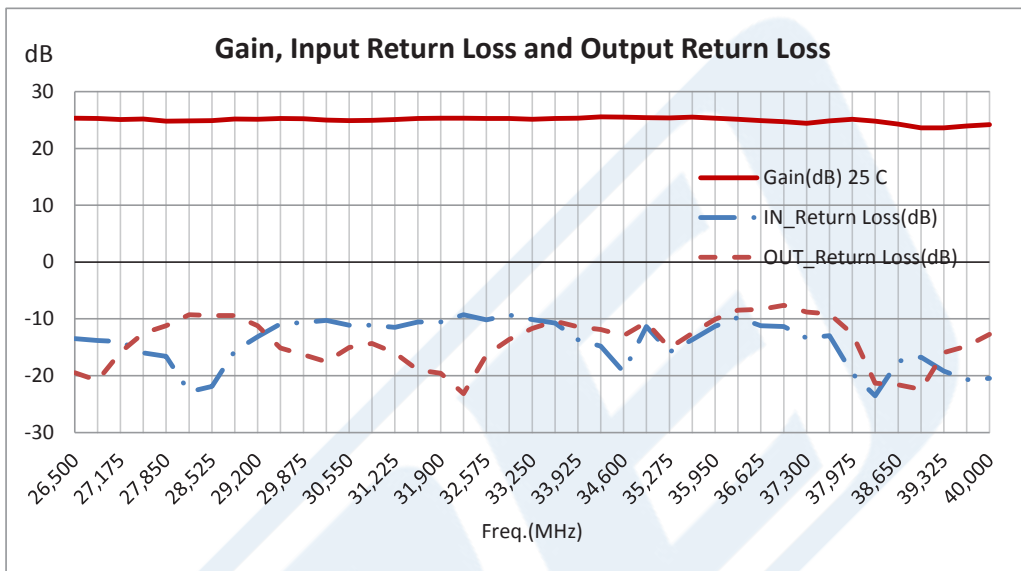


3.5 dB NF, 13.5 dBm P1dB, 26.5 GHz to 40 GHz, Low Noise Broadband Amplifier, 22 dB Gain, 2.92mm

TECHNICAL DATA SHEET

PE15A3261

Typical Performance Data



Click the following link (or enter part number in "SEARCH" on website) to obtain additional part information including price, inventory and certifications: [3.5 dB NF, 13.5 dBm P1dB, 26.5 GHz to 40 GHz, Low Noise Broadband Amplifier, 22 dB Gain, 2.92mm PE15A3261](#)



3.5 dB NF, 13.5 dBm P1dB, 26.5 GHz to 40 GHz, Low Noise Broadband Amplifier, 22 dB Gain, 2.92mm

TECHNICAL DATA SHEET

PE15A3261

3.5 dB NF, 13.5 dBm P1dB, 26.5 GHz to 40 GHz, Low Noise Broadband Amplifier, 22 dB Gain, 2.92mm from Pasternack Enterprises has same day shipment for domestic and International orders. Our RF, microwave and millimeter wave products maintain a 99.4% availability and are part of the broadest selection in the industry.

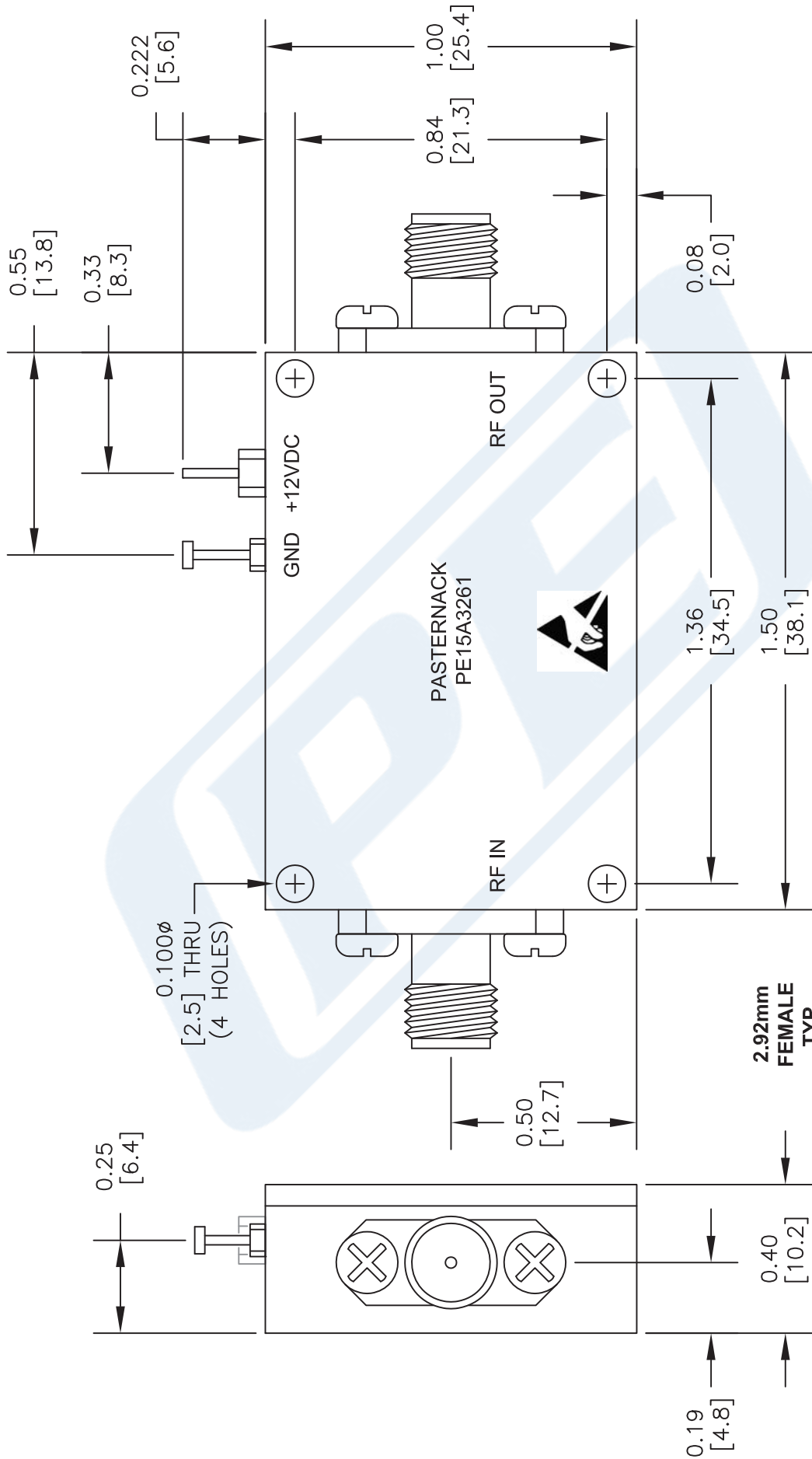
Click the following link (or enter part number in "SEARCH" on website) to obtain additional part information including price, inventory and certifications: [3.5 dB NF, 13.5 dBm P1dB, 26.5 GHz to 40 GHz, Low Noise Broadband Amplifier, 22 dB Gain, 2.92mm PE15A3261](https://www.pasternack.com/4.5-db-40-ghz-low-noise-broadband-amplifier-22-db-gain-k-pe15a3261-p.aspx)

URL: <https://www.pasternack.com/4.5-db-40-ghz-low-noise-broadband-amplifier-22-db-gain-k-pe15a3261-p.aspx>

The information contained in this document is accurate to the best of our knowledge and representative of the part described herein. It may be necessary to make modifications to the part and/or the documentation of the part, in order to implement improvements. Pasternack reserves the right to make such changes as required. Unless otherwise stated, all specifications are nominal. Pasternack does not make any representation or warranty regarding the suitability of the part described herein for any particular purpose, and Pasternack does not assume any liability arising out of the use of any part or documentation.

PE15A3261 CAD Drawing

3.5 dB NF, 13.5 dBm P1dB, 26.5 GHz to 40 GHz, Low Noise
Broadband Amplifier, 22 dB Gain, 2.92mm



NOTES:
1. UNLESS OTHERWISE SPECIFIED ALL DIMENSIONS ARE NOMINAL.
2. ALL SPECIFICATIONS ARE SUBJECT TO CHANGE WITHOUT NOTICE AT ANY TIME.
3. DIMENSIONS ARE IN INCHES [mm].

DWG TITLE
PE15A3261

FSCM NO. 53919

CAD FILE 011414

SCALE N/A

SIZE A

2233

PE PASTERNAK
THE ENGINEER'S RF SOURCE
Pasternack Enterprises, Inc.
P.O. Box 16759 | Irvine | CA | 92623

Phone: (949) 261-1920 | Fax: (949) 261-7451

Website: www.pasternack.com | E-Mail: sales@pasternack.com