



WR-90 UBR100 Flange to N Female Waveguide to Coax Adapter Operating from 8.2 GHz to 12.4 GHz in Brass

Waveguide to Coax Adapters Technical Data Sheet

PEWCA1092

Features

- 8.20 to 12.4 GHz Frequency Range
- WR-90 Waveguide Interface
- UBR100 Flange
- N Female RF Interface
- Comprehensive waveguide offering also include E-Bends, H-Bends, Sections, Filters, Terminations, Couplers, and more.

Applications

- Test Benches
- Radar
- Satellite
- Microwave Radio Systems
- Military and Space
- Communication Systems

Description

The PEWCA1092 is a right angle waveguide to coaxial adapter operating at a frequency range of 8.20 GHz to 12.4 GHz. This adapter offers a WR-90 waveguide interface size coupled with a precision tolerance UBR100 flange. The PEWCA1092 is constructed of brass and painted gray to ensure durability. The coaxial connector offered by this adapter uses an N Female connector.

Configuration

Waveguide Size	WR-90
Flange	UBR100
RF Connector	N Female
Body Geometry	Right Angle

Electrical Specifications

Description	Minimum	Typical	Maximum	Units
Frequency Range	8.2		12.4	GHz
VSWR			1.25:1	
Insertion Loss			0.2	dB
Input Power (CW)			100	Watts

Mechanical Specifications

Size	
Length	1.38 in [35.05 mm]
Width	1.63 in [41.4 mm]
Height	1.63 in [41.4 mm]

RF Connector	
Connector Type	N Female

Waveguide Interface	
Waveguide Type	WR-90

Click the following link (or enter part number in "SEARCH" on website) to obtain additional part information including price, inventory and certifications: [WR-90 UBR100 Flange to N Female Waveguide to Coax Adapter Operating from 8.2 GHz to 12.4 GHz in Brass PEWCA1092](#)



WR-90 UBR100 Flange to N Female Waveguide to Coax Adapter Operating from 8.2 GHz to 12.4 GHz in Brass

Waveguide to Coax Adapters Technical Data Sheet

PEWCA1092

Flange Type	UBR100
Body Material and Plating	Brass

Environmental Specifications

Temperature

Operating Range -40 to +70 deg C

Compliance Certifications (see [product page](#) for current document)

Plotted and Other Data

Notes:

- Values at +25 °C, sea level unless stated otherwise

WR-90 UBR100 Flange to N Female Waveguide to Coax Adapter Operating from 8.2 GHz to 12.4 GHz in Brass from Pasternack Enterprises has same day shipment for domestic and International orders. Our RF, microwave and millimeter wave products maintain a 99.4% availability and are part of the broadest selection in the industry.

Click the following link (or enter part number in "SEARCH" on website) to obtain additional part information including price, inventory and certifications: [WR-90 UBR100 Flange to N Female Waveguide to Coax Adapter Operating from 8.2 GHz to 12.4 GHz in Brass PEWCA1092](#)

URL: <https://www.pasternack.com/wr90-ubr100-flange-to-type-n-female-waveguide-coax-adapter-12.4-ghz-pewca1092-p.aspx>

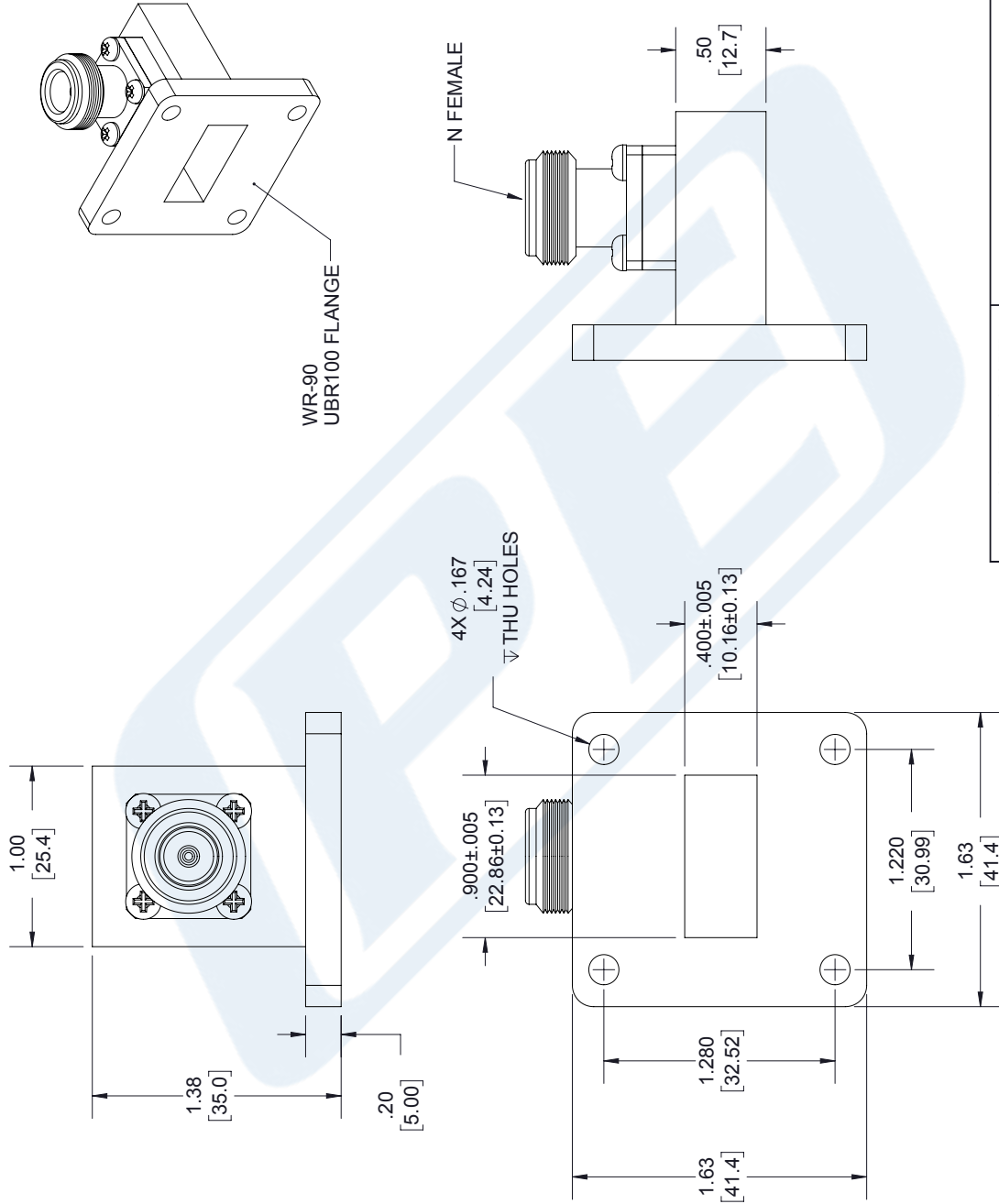
The information contained in this document is accurate to the best of our knowledge and representative of the part described herein. It may be necessary to make modifications to the part and/or the documentation of the part, in order to implement improvements. Pasternack reserves the right to make such changes as required. Unless otherwise stated, all specifications are nominal. Pasternack does not make any representation or warranty regarding the suitability of the part described herein for any particular purpose, and Pasternack does not assume any liability arising out of the use of any part or documentation.

PEWCA1092 CAD Drawing

WR-90 UBR100 Flange to N Female Waveguide to Coax Adapter Operating from 8.2 GHz to 12.4 GHz in Brass

REVISIONS

REV.	DESCRIPTION	DATE	APPROVED
A	INITIAL RELEASE	05/05/2020	SPONG



UNLESS OTHERWISE SPECIFIED LEADING DIMENSIONS ARE INCHES DIMENSIONS IN [] ARE MILLIMETERS

TOLERANCES:

.X = ± .2 [5.08] FRACTIONS ± 1/32

.XX = ± .02 [.51] ANGLES ± 1°

.XXX = ± .005 [.13] CABLE LENGTH (L) TOLERANCES:

L ≤ 12 [305] = +1 [25] / -0

12 [305] < L ≤ 60 [1524] = +2 [51] / -0

60 [1524] < L ≤ 120 [3048] = +4 [102] / -0

120 [3048] < L ≤ 300 [7620] = +6 [152] / -0

300 [7620] < L = +5% / L / -0

ALL DIMENSIONS SHOWN ARE FOR REFERENCE ONLY.

PEP PASTERNAK an INFINITO brand

Pasternack Enterprises, Inc.
 P. O. Box 16759, Irvine, CA 92623.
 Phone: 1.949.261.1920 | 1.866.727.8376
 Fax: 1.949.261.7451
 Website: www.pasternack.com
 E-mail: sales@pasternack.com

THIRD-ANGLE PROJECTION

THE INFORMATION AND DESIGN IN THIS DOCUMENT IS THE PROPERTY OF PASTERNAK CORPORATION ALL RIGHTS RESERVED.

SHEET 1 OF 1

SCALE N/A

REV A

ITEM NO PEWCA1092

DRAWN BY BPUCHASKI

CAGE CODE A 53919

LABEL:
 PASTERNAK
 PEWCA1092
 D/C: YYWW

THESE COMMODITIES, TECHNOLOGY OR SOFTWARE WERE EXPORTED FROM THE UNITED STATES IN ACCORDANCE WITH THE EXPORT ADMINISTRATION REGULATIONS. DIVERSION CONTRARY TO U.S. LAW PROHIBITED.