



## Reinforced ABS 4-way Ratchet Marine mount with Standard 1"-14 male threads for marine antenna

### TECHNICAL DATA SHEET

### PEMARRM01

#### Features

- ABS marine grade mount
- Dual swivel ratchet style
- 1"-14 male threaded
- High durable material
- Anti corrosion
- Flat base fixture

#### Applications

- Marine antenna mounts
- Marine communication: VHF, GPS, satellite phones
- Navigation: Radar, sonar, depth finders
- Fishing: Fish finders, sonar-based equipment
- Entertainment: Satellite TV, radio systems
- Emergency services: Search and rescue operations

#### Description

The Pasternack PEMARRM01 dual swivel ratchet style antenna mount is offered for marine and omnidirectional antennas. This marine antenna mount is constructed of anti-corrosion ABS. Our high durable mount is ideal for marine communication, fishing, navigation, entertainment, and emergency services.

The working temperature range for our dual swivel ratchet-style installation is -40 to 80 degrees Celsius. The PEMARRM01 marine antenna mount from Pasternack is available in 6-inch length, 2.61-inch width, and 2.61-inch height. This antenna mount has a flat base fixture and 1"-14 male threads, making it suited for use with search and rescue equipment, satellite TV, radio systems, radar, sonar, depth finders, VHF, GPS, satellite phones, fish finders, and sonar-based equipment applications.

Pasternack has one of the largest in-stock selections of marine grade dual swivel ratchet style antenna mounts for international and domestic orders. Make your online purchase right now to take advantage of our same-day shipping. For further information on similar products, our expert technical support and knowledgeable sales team can help you get the perfect high durable ABS marine antenna mount for your requirements.

#### Mechanical Specifications

Size	
Length	6 in [152.4 mm]
Width	2.61 in [66.29 mm]
Height	2.61 in [66.29 mm]
Weight	0.55 lbs [249.48 g]

#### Environmental Specifications

Operating Temperature, Min	-40 deg C
Operating Temperature, Max	80 deg C
Material	ABS

Click the following link (or enter part number in "SEARCH" on website) to obtain additional part information including price, inventory and certifications: [Reinforced ABS 4-way Ratchet Marine mount with Standard 1"-14 male threads for marine antenna](#)



## Reinforced ABS 4-way Ratchet Marine mount with Standard 1"-14 male threads for marine antenna

### TECHNICAL DATA SHEET

**PEMARRM01**

Reinforced ABS 4-way Ratchet Marine mount with Standard 1"-14 male threads for marine antenna from Pasternack Enterprises has same day shipment for domestic and International orders. Our RF, microwave and millimeter wave products maintain a 99.4% availability and are part of the broadest selection in the industry.

Click the following link (or enter part number in "SEARCH" on website) to obtain additional part information including price, inventory and certifications: [Reinforced ABS 4-way Ratchet Marine mount with Standard 1"-14 male threads for marine antenna](#)

URL:

The information contained in this document is accurate to the best of our knowledge and representative of the part described herein. It may be necessary to make modifications to the part and/or the documentation of the part, in order to implement improvements. Pasternack reserves the right to make such changes as required. Unless otherwise stated, all specifications are nominal. Pasternack does not make any representation or warranty regarding the suitability of the part described herein for any particular purpose, and Pasternack does not assume any liability arising out of the use of any part or documentation.

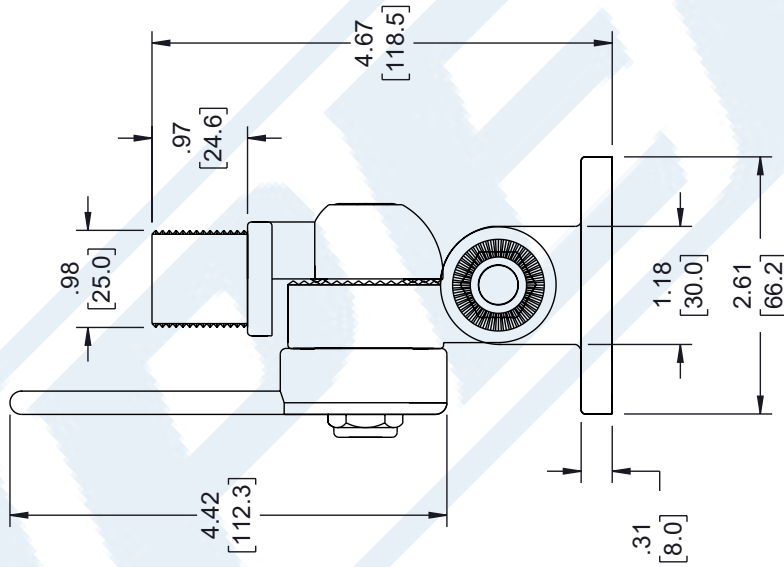
# CAD Drawing

## Reinforced ABS 4-way Ratchet Marine mount with Standard

1"-14 male threads for marine antenna

1 2 3 4 5 6

REVISION		DATE	CHANGED BY	APPROVED
ZONE	REV	DESCRIPTION		
	A	INITIAL RELEASE	HBAKKE	KHIETPAS
		02/17/2023		



UNLESS OTHERWISE SPECIFIED LEADING DIMENSIONS ARE INCHES DIMENSIONS IN [ ] ARE MILLIMETERS

TOLERANCES:  
 .X = ±.2 [5] | FRACTIONS ± 1/32  
 .XX = ±.02 [.5] | ANGLES ± 1°  
 .XXX = ±.005 [.13]

CABLE LENGTH TOLERANCES:  
 ≤12 [305] = +1 [25] / -0  
 >12 [305] ≤ 60 [1524] = +2 [51] / -0  
 >60 [1524] ≤ 120 [3048] = +4 [102] / -0  
 >120 [3048] ≤ 300 [7620] = +6 [152] / -0  
 >300 [7620] = +5% / -0

ALL DIMENSIONS ARE FOR REFERENCE ONLY AND SUBJECT TO CHANGE WITHOUT NOTICE



Website: [www.Pasternack.com](http://www.Pasternack.com)  
 Phone: 1.866.727.8376 | 1.949.261.1920

DESCRIPTION

Reinforced ABS 4-way Ratchet Marine mount with Standard 1"-14 male threads for marine antenna

SCALE	NONE	SHEET	1 OF 1
INTERPRET ALL DIMENSIONS AND TOLERANCES PER ASME Y14.5			
SIZE	CAGE CODE	DRAWN BY	ITEM NO.
A	53919	HBAKKE	PEMARRM01
REV			A

THE INFORMATION CONTAINED IN THIS DRAWING IS THE SOLE PROPERTY OF INFINITE ELECTRONICS, INC. ANY REPRODUCTION IN PART OR WHOLE WITHOUT THE WRITTEN PERMISSION OF INFINITE ELECTRONICS, INC. IS PROHIBITED. THESE COMMODITIES, TECHNOLOGY OR SOFTWARE WERE EXPORTED FROM THE UNITED STATES IN ACCORDANCE WITH THE EXPORT ADMINISTRATION REGULATIONS. DIVERSION CONTRARY TO U.S. LAW PROHIBITED.

T-Rev.D2