



## WR-90 Square Type Flange to N Female Waveguide to Coax Adapter Operating from 8.2 GHz to 12.4 GHz

### Waveguide to Coax Adapters Technical Data Sheet

PE9801

#### Features

- X Band, 8.2 to 12.4 GHz Frequency Range
- WR-90 Waveguide Interface with Square Type Flange
- N Female Coaxial Interface
- Comprehensive waveguide offerings also include E-Bends, H-Bends, Sections, Filters, Terminations, Couplers, and more.

#### Description

The PE9801 is a waveguide to coaxial adapter operating in the X band with a 8.2 to 12.4 GHz frequency range. This adapter offers a WR-90 waveguide interface size coupled with a precision tolerance square Type flange. The PE9801 is constructed of aluminum to ensure durability and repeatable RF performance. The coaxial connector offered by this adapter uses a N type Female connector and the package is REACH and RoHS compliant.

#### Configuration

Waveguide Size	WR-90
Flange	Square Type
RF Connector	N Female
Impedance	50 Ohms
Body Geometry	Right Angle

#### Electrical Specifications

Description	Minimum	Typical	Maximum	Units
Frequency Range	8.2		12.4	GHz
VSWR			1.3:1	
Input Power (Peak)			300	Watts

#### Mechanical Specifications

<b>Size</b>	
Length	1.63 in [41.4 mm]
Width	1.63 in [41.4 mm]
Height	2.3 in [58.42 mm]
Weight	0.205 lbs [92.99 g]
<b>RF Connector</b>	
Connector Type	N Female
Body Material and Plating	Stainless Steel
<b>Waveguide Interface</b>	
Waveguide Type	WR-90
Flange Type	Square Type
Body Material and Plating	Aluminum

Click the following link (or enter part number in "SEARCH" on website) to obtain additional part information including price, inventory and certifications: [WR-90 Square Type Flange to N Female Waveguide to Coax Adapter Operating from 8.2 GHz to 12.4 GHz PE9801](#)



WR-90 Square Type Flange to N Female Waveguide to Coax Adapter Operating from 8.2 GHz to 12.4 GHz

Waveguide to Coax Adapters Technical Data Sheet

PE9801

**Environmental Specifications**

**Temperature**

Operating Range

-40 to +85 deg C

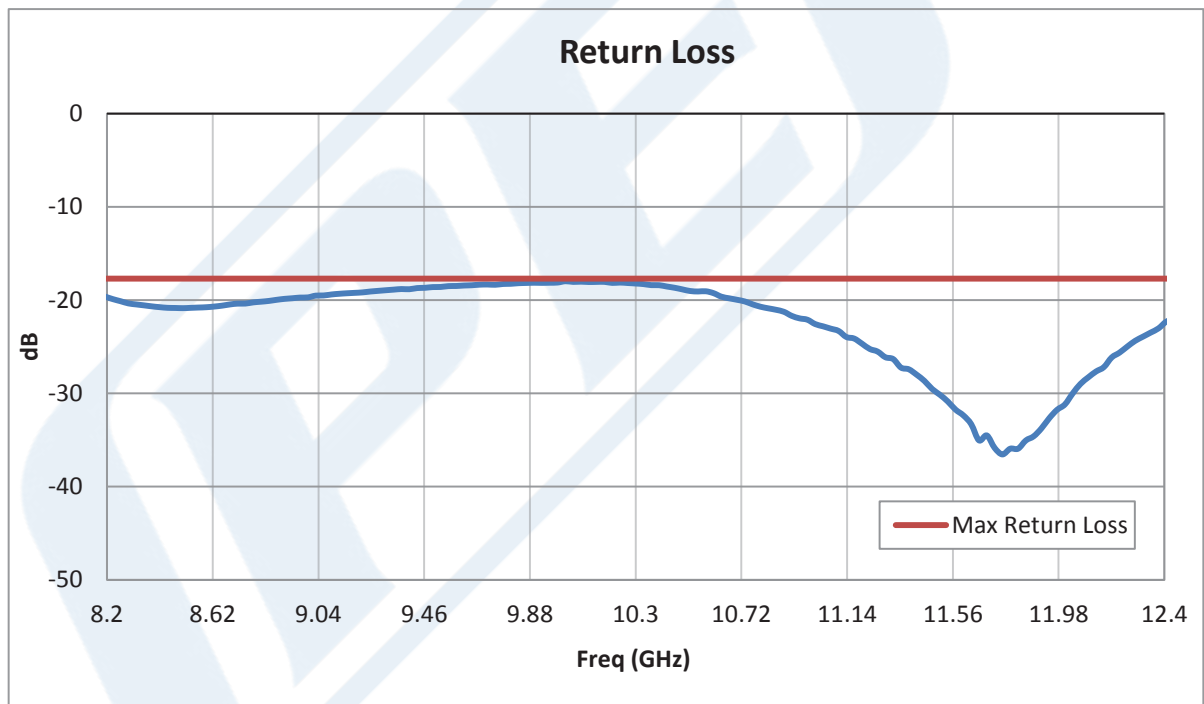
**Compliance Certifications** (see [product page](#) for current document)

**Plotted and Other Data**

Notes:

- Values at +25 °C, sea level unless stated otherwise

**Typical Performance Data**



Click the following link (or enter part number in "SEARCH" on website) to obtain additional part information including price, inventory and certifications: [WR-90 Square Type Flange to N Female Waveguide to Coax Adapter Operating from 8.2 GHz to 12.4 GHz PE9801](#)



## WR-90 Square Type Flange to N Female Waveguide to Coax Adapter Operating from 8.2 GHz to 12.4 GHz

### Waveguide to Coax Adapters Technical Data Sheet

PE9801

WR-90 Square Type Flange to N Female Waveguide to Coax Adapter Operating from 8.2 GHz to 12.4 GHz from Pasternack Enterprises has same day shipment for domestic and International orders. Our RF, microwave and millimeter wave products maintain a 99.4% availability and are part of the broadest selection in the industry.

Click the following link (or enter part number in "SEARCH" on website) to obtain additional part information including price, inventory and certifications: [WR-90 Square Type Flange to N Female Waveguide to Coax Adapter Operating from 8.2 GHz to 12.4 GHz PE9801](https://www.pasternack.com/wr-90-square-type-flange-to-n-female-waveguide-to-coax-adapter-operating-from-8.2-ghz-to-12.4-ghz-pe9801-p.aspx)

URL: <https://www.pasternack.com/wr-90-n-female-waveguide-coax-adapter-8.2-ghz-12.4-ghz-pe9801-p.aspx>

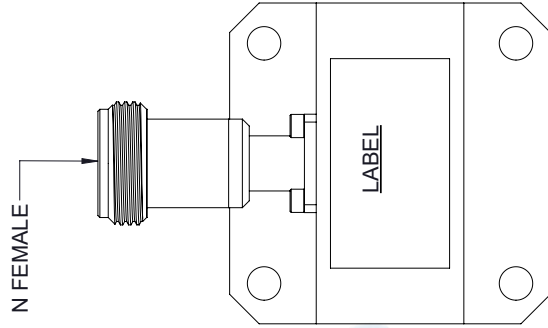
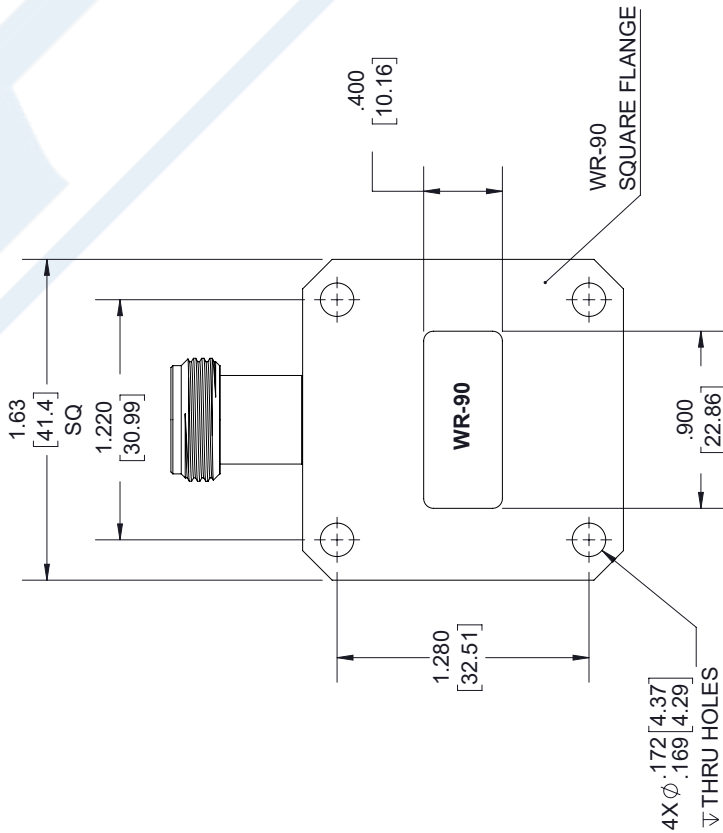
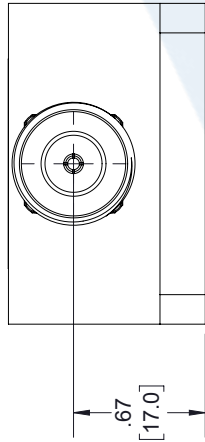
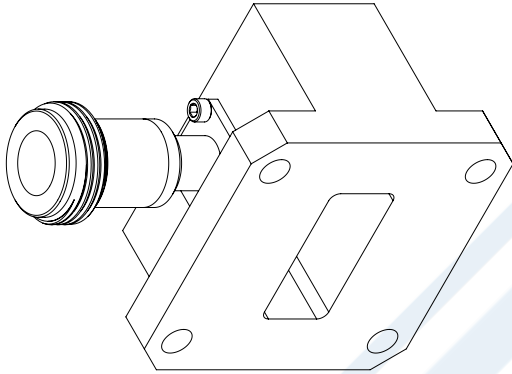
The information contained in this document is accurate to the best of our knowledge and representative of the part described herein. It may be necessary to make modifications to the part and/or the documentation of the part, in order to implement improvements. Pasternack reserves the right to make such changes as required. Unless otherwise stated, all specifications are nominal. Pasternack does not make any representation or warranty regarding the suitability of the part described herein for any particular purpose, and Pasternack does not assume any liability arising out of the use of any part or documentation.

# PE9801 CAD Drawing

WR-90 Square Type Flange to N Female Waveguide to Coax Adapter Operating from 8.2 GHz to 12.4 GHz

### REVISIONS

REV.	DESCRIPTION	DATE	APPROVED
1.3	PCR PE9801 04102019	04/27/19	J.GARCIA



UNLESS OTHERWISE SPECIFIED  
LEADING DIMENSIONS ARE INCHES  
DIMENSIONS IN [ ] ARE MILLIMETERS

TOLERANCES:  
X±.2 [5.08] FRACTIONS  
XX±.01 [ .25] ±.132  
.XXX±.005 [ .13] ANGLES ± 1°

ALL DIMENSIONS SHOWN  
ARE FOR REFERENCE ONLY.

THIRD-ANGLE PROJECTION



Pasternack Enterprises, Inc.  
P.O. Box 16759, Irvine, CA 92623.  
Phone: 1.949.261.1920 | 1.866.727.8376  
Fax: 1.949.261.7451  
www.pasternack.com | e-mail: sales@pasternack.com

THE INFORMATION AND  
DESIGN IN THIS DOCUMENT  
IS THE PROPERTY OF  
PASTERNAK CORPORATION.  
ALL RIGHTS RESERVED.

SHEET 1 OF 1  
SCALE N/A

SIZE	CAGE	DRAWN BY	PART NUMBER	REV
A	53919	K.DANG	PE9801	A

THESE COMMODITIES, TECHNOLOGY OR SOFTWARE WERE EXPORTED FROM THE UNITED STATES IN ACCORDANCE WITH THE EXPORT ADMINISTRATION REGULATIONS. DIVERSION CONTRARY TO U.S. LAW PROHIBITED.