

Type N F/F In/Out Coax RF Surge Protector, DC - 3GHz and 1GHz - 2GHz, DC Pass, 200W, None, 30 V Max., 3.5mJ, 5kA, Gas Discharge Tube

RF Surge Protectors Technical Data Sheet

PE7301-1

Electrical Specifications

Surge Protector Type Gas Discharge Tube
DC Handling DC Pass

Description	Minimum	Typical	Maximum	Units
Frequency Range	DC		3	GHz
Impedance		50		Ohms
VSWR			1.3:1	
Insertion Loss			0.5	dB
Operating Voltage (DC)	20		30	Volts
Input Power, CW			200	Watts
Surge Current			5	kA
Breakdown Voltage			150	Vdc
Throughput Energy 350V ±15% @<100V/S>1000@5kv/µsRise			3.5	mJ

Specifications by Frequency

Description	F1	F2	F3	F4	F5	Units
Frequency Range	DC to 1	1 to 2	2 to 3			GHz
VSWR, Typ	1.1:1	1.3:1				
Insertion Loss, Typ	0.1	0.2	0.5			

Mechanical Specifications

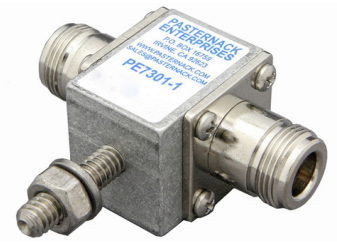
Size

Length 2.372 in [60.25 mm]
Width/Diameter 1 in [25.4 mm]
Height 2.625 in [66.68 mm]
Weight 0.3005 lbs [136.3 g]

Configuration

Input Connector N Female
Output Connector N Female

Click the following link (or enter part number in "SEARCH" on website) to obtain additional part information including price, inventory and certifications: [Type N F/F In/Out Coax RF Surge Protector, DC - 3GHz and 1GHz - 2GHz, DC Pass, 200W, None, 30 V Max., 3.5mJ, 5kA, Gas Discharge Tube PE7301-1](#)



Type N F/F In/Out Coax RF Surge Protector, DC - 3GHz and 1GHz - 2GHz, DC Pass, 200W, None, 30 V Max., 3.5mJ, 5kA, Gas Discharge Tube

RF Surge Protectors Technical Data Sheet

PE7301-1

Environmental Specifications

Ingress Protection (IP) Rating

None

Compliance Certifications (see [product page](#) for current document)

Plotted and Other Data

Notes:

Type N F/F In/Out Coax RF Surge Protector, DC - 3GHz and 1GHz - 2GHz, DC Pass, 200W, None, 30 V Max., 3.5mJ, 5kA, Gas Discharge Tube from Pasternack Enterprises has same day shipment for domestic and International orders. Our RF, microwave and millimeter wave products maintain a 99.4% availability and are part of the broadest selection in the industry.

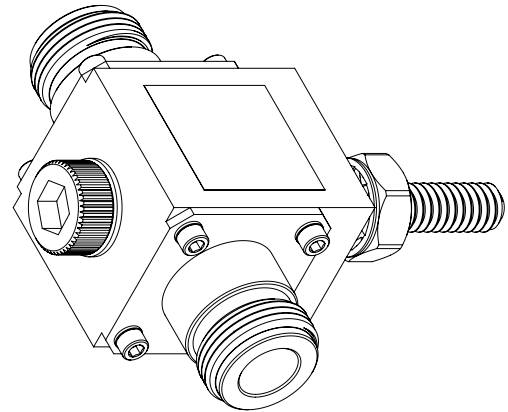
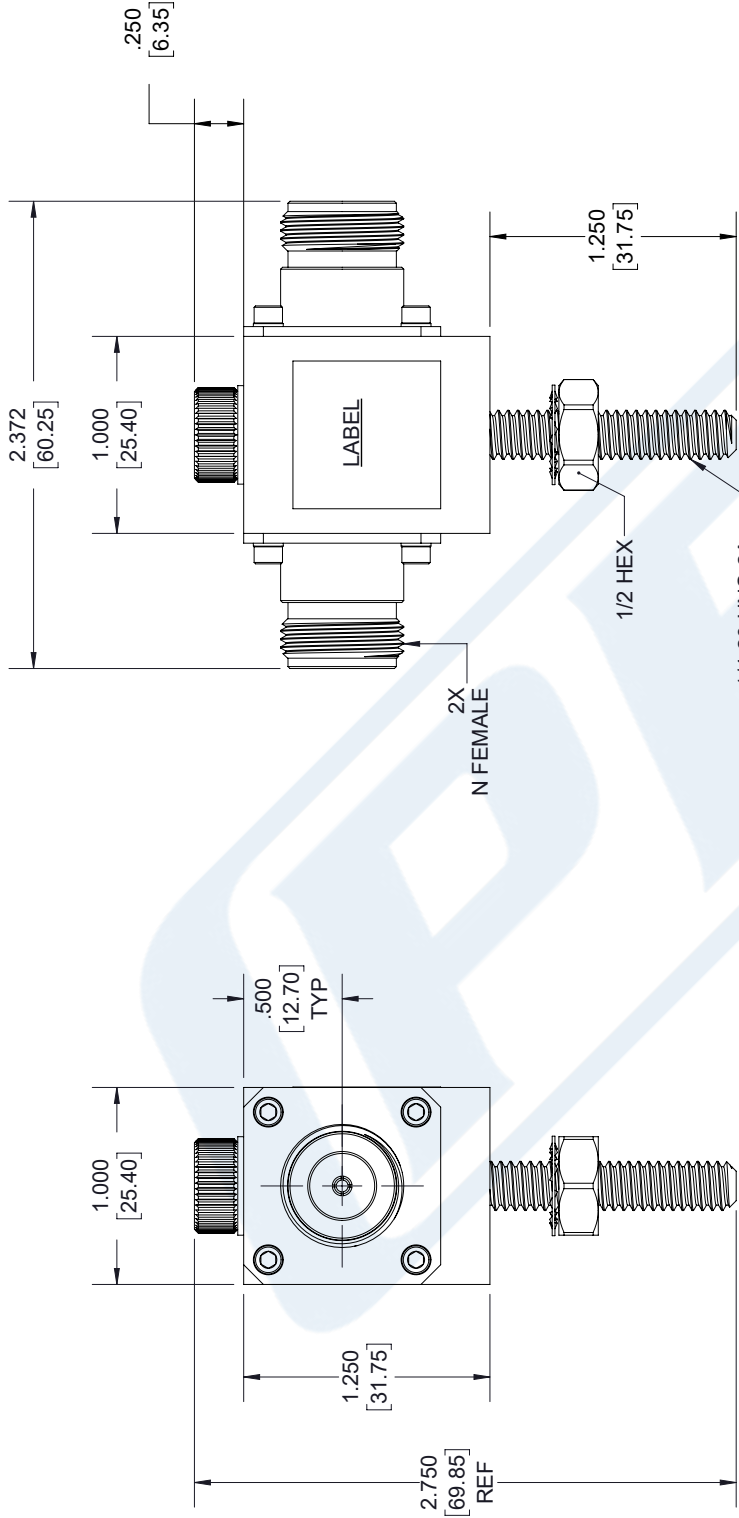
Click the following link (or enter part number in "SEARCH" on website) to obtain additional part information including price, inventory and certifications: [Type N F/F In/Out Coax RF Surge Protector, DC - 3GHz and 1GHz - 2GHz, DC Pass, 200W, None, 30 V Max., 3.5mJ, 5kA, Gas Discharge Tube PE7301-1](#)

URL: <https://www.pasternack.com/n-female-coax-surge-protector-pe7301-1-p.aspx>

PE7301-1 CAD Drawing

Type N F/F In/Out Coax RF Surge Protector, DC - 3GHz and 1GHz - 2GHz,
DC Pass, 200W, None, 30 V Max., 3.5mJ, 5kA, Gas Discharge Tube

REV.	DESCRIPTION	DATE	APPROVED
A	PCR PE7301-1 20191125	12/11/19	S.ELLIS



PASTERNAK
PE7301-1
D/C: YYWW

THIRD-ANGLE PROJECTION

THE INFORMATION AND DESIGN IN THIS DOCUMENT IS THE PROPERTY OF PASTERNAK CORPORATION. ALL RIGHTS RESERVED.

SHEET 1 OF 1

SCALE N/A

REV A

PE PASTERNAK
an INFINIT brand

Pasternack Enterprises, Inc.
P. O. Box 16759, Irvine, CA 92623.
Phone: 1.949.261.1920 | 1.866.727.8376
Fax: 1.949.261.7451
Website: www.pasternack.com
E-mail: sales@pasternack.com

UNLESS OTHERWISE SPECIFIED LEADING DIMENSIONS ARE INCHES DIMENSIONS IN [] ARE MILLIMETERS

TOLERANCES:

.X = ±.2 [5.08] FRACTIONS ± 1/32
.XX = ±.02 [.51] ANGLES ± 1°
.XXX = ±.005 [.13] CABLE LENGTH (L) TOLERANCES:
L ≤ 12 [305] = +1 [25] / -0
12 [305] < L ≤ 60 [1524] = +2 [51] / -0
60 [1524] < L ≤ 120 [3048] = +4 [102] / -0
120 [3048] < L ≤ 300 [7620] = +6 [152] / -0
300 [7620] < L = +5% / L / -0

ALL DIMENSIONS SHOWN ARE FOR REFERENCE ONLY.

SIZE A 53919 K.DANG DRAWN BY

PART NUMBER PE7301-1