



## WR-90 Commercial Grade Waveguide H-Bend with UG-39/U Flange Operating from 8.2 GHz to 12.4 GHz

### TECHNICAL DATA SHEET

PE-W90B002

#### Electrical Specifications

Description	Minimum	Typical	Maximum	Units
Frequency Range	8.2		12.4	GHz
VSWR			1.08:1	
Insertion Loss		0.15		dB

#### Mechanical Specifications

Waveguide Size	WR-90		
Waveguide Design	Commercial Grade		
Description	Flange 1	Waveguide	Flange 2
Flange Type	Square Cover		Square Cover
Flange Designation	UG-39/U	WR-90	UG-39/U
Material	Copper Alloy	Copper Alloy	Copper Alloy
Plating	Paint	Paint	Paint

#### Size

Weight 0.478 lbs [216.82 g]

#### Compliance Certifications (see [product page](#) for current document)

#### Plotted and Other Data

Notes:

WR-90 Commercial Grade Waveguide H-Bend with UG-39/U Flange Operating from 8.2 GHz to 12.4 GHz from Pasternack Enterprises has same day shipment for domestic and International orders. Our RF, microwave and millimeter wave products maintain a 99.4% availability and are part of the broadest selection in the industry.

Click the following link (or enter part number in "SEARCH" on website) to obtain additional part information including price, inventory and certifications: [WR-90 Commercial Grade Waveguide H-Bend with UG-39/U Flange Operating from 8.2 GHz to 12.4 GHz PE-W90B002](#)

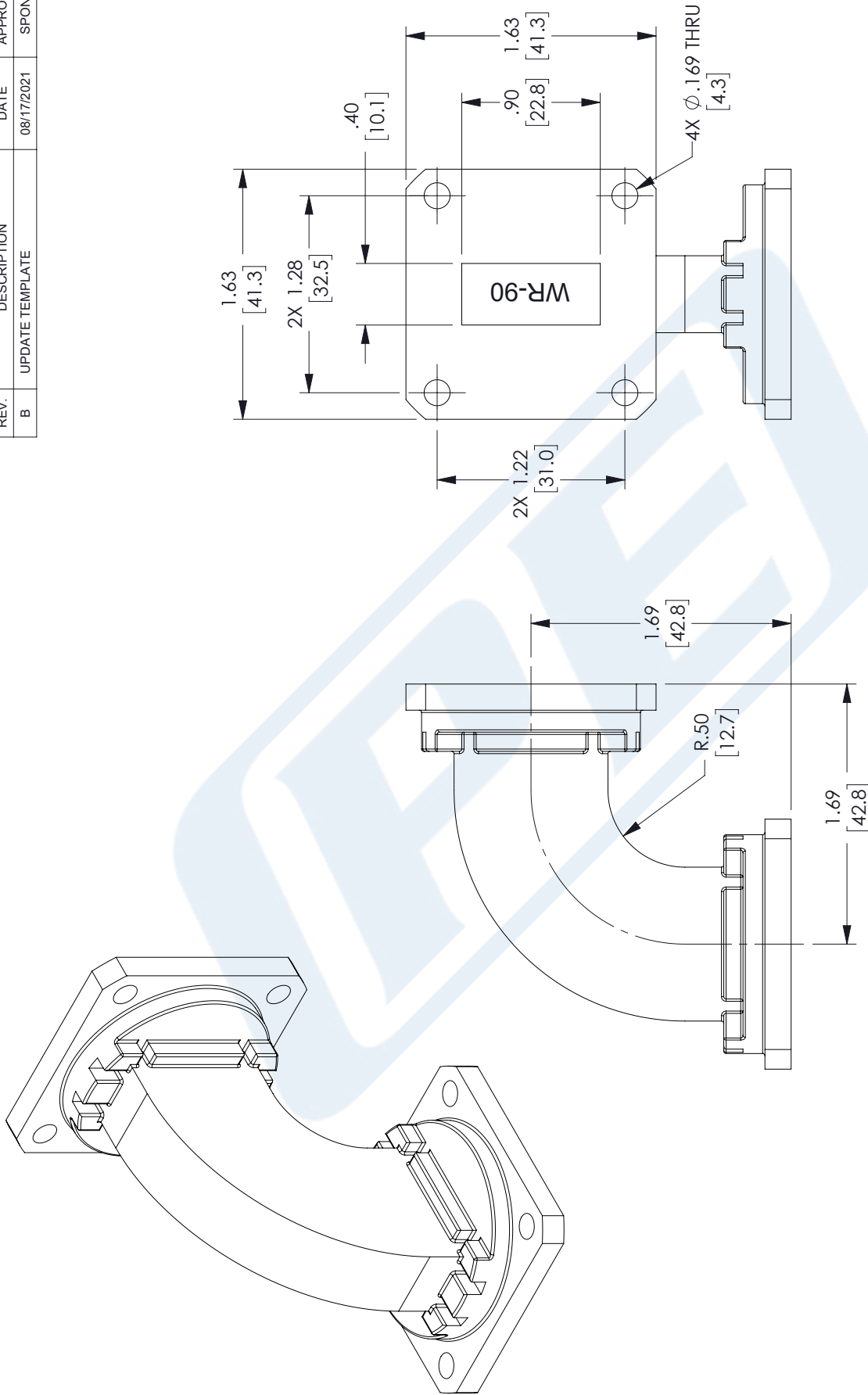
URL: <https://www.pasternack.com/wr-90-waveguide-h-bend-ug-39-flange-8.2-12.4-ghz-pe-w90b002-p.aspx>

The information contained in this document is accurate to the best of our knowledge and representative of the part described herein. It may be necessary to make modifications to the part and/or the documentation of the part, in order to implement improvements. Pasternack reserves the right to make such changes as required. Unless otherwise stated, all specifications are nominal. Pasternack does not make any representation or warranty regarding the suitability of the part described herein for any particular purpose, and Pasternack does not assume any liability arising out of the use of any part or documentation.

# PE-W90B002 CAD Drawing

WR-90 Commercial Grade Waveguide H-Bend with UG-39/U Flange Operating from 8.2 GHz to 12.4 GHz

REV.	DESCRIPTION	DATE	APPROVED
B	UPDATE TEMPLATE	08/17/2021	SPONG



THIRD-ANGLE PROJECTION

THE INFORMATION AND DESIGN IN THIS DOCUMENT IS THE PROPERTY OF PASTERNAK CORPORATION ALL RIGHTS RESERVED.

SHEET 1 OF 1

SCALE N/A

REV B

ITEM NO. PE-W90B002

**PE PASTERNAK** an INFINITI brand

Pasternack Enterprises, Inc.  
P.O. Box 16759, Irvine, CA 92623.  
Phone: 1.949.261.1920 | 1.866.727.8376  
Fax: 1.949.261.7451  
Website: www.pasternack.com  
E-mail: sales@pasternack.com

UNLESS OTHERWISE SPECIFIED LEADING DIMENSIONS ARE INCHES DIMENSIONS IN [ ] ARE MILLIMETERS

TOLERANCES:

.X = ±.2	[5.08]	FRACTIONS
.XX = ±.02	[.51]	± 1/32
.XXX = ±.005	[.13]	ANGLES ± 1°

CABLE LENGTH (L) TOLERANCES:

L ≤ 12	[305]	= +1 [25] / -0
12 [305] < L ≤ 60	[1524]	= +2 [51] / -0
60 [1524] < L ≤ 120	[3048]	= +4 [102] / -0
120 [3048] < L ≤ 300	[7620]	= +6 [152] / -0
300 [7620] < L =	+5%L	/ -0

ALL DIMENSIONS SHOWN ARE FOR REFERENCE ONLY.

SIZE A 53919 DRAWN BY DMAY

CAGE CODE 53919