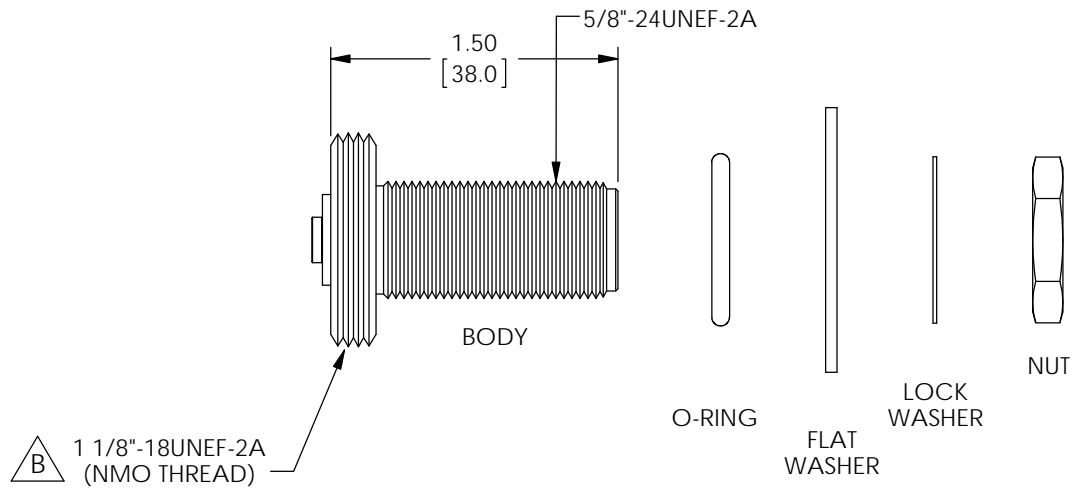
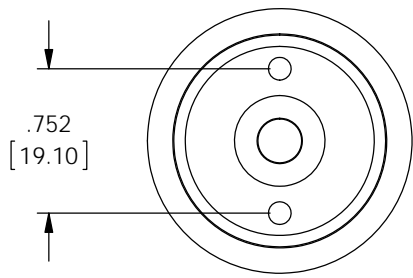


THE INFORMATION CONTAINED IN THIS DRAWING IS THE SOLE PROPERTY OF L-COM, INC. ANY REPRODUCTION IN PART OR WHOLE WITHOUT THE WRITTEN PERMISSION OF L-COM, INC. IS PROHIBITED.

REVISIONS			
REV	DESCRIPTION	DATE	APPROVED
A	INITIAL RELEASE	4/22/10	D.GRIFFIN
B	ECN 8327 CHANGE NMO THREAD CALL OUT	05/11/16	B.PUCHASKI

DESCRIPTION	MATERIAL	FINISH
BODY	BRASS	NICKEL
CENTER PIN	BRASS	GOLD
INSULATOR	TEFLON	-
LOCK WASHER	BRASS	NICKEL
FLAT WASHER	BRASS	NICKEL
NUT	BRASS	NICKEL
O-RING	RUBBER	-



NOTES:

ELECTRICAL:

IMPEDANCE: 50 OHMS
 FREQUENCY RANGE: DC ~ 11 GHz
 VOLTAGE RATING: 1500 VOLTS PEAK
 WITHSTAND VOLTAGE: 2500V RMS.
 INSERTION LOSS: .15 dB MAX.

MISCELLANEOUS:

COMPONENT SHALL BE INDIVIDUALLY PACKAGED IN ACCORDANCE WITH L-COM SPEC. PS-0031

ALL DIMENSIONS ARE FOR REFERENCE ONLY.

REGULATORY COMPLIANCE:

CE2011/65/EU(RoHS DIRECTIVE)

B 1 1/8"-18UNEF-2A (NMO THREAD)

UNLESS OTHERWISE SPECIFIED, DIMENSIONS ARE IN INCHES [mm] DIMENSIONAL TOLERANCES: .X = ±.1 [2.54] .XX = ±.01 [.25] .XXX = ±.005 [.13] ANGULAR TOLERANCES: ALL = ± 1°	APPROVALS	DATE	50 HIGH STREET NORTH ANDOVER, MA 01845		
	DRAWN BY D. CASTRO	4/20/10			CATEGORY
	CHECKED BY K. BURGNER	4/21/10	PRODUCT DESCRIPTION ADP,NMO/TAD TO N-FEMALE		
	APPROVED BY K. BURGNER	4/21/10			
PROJECTION 	COLOR VARIATIONS MAY OCCUR	SIZE A	FSCM NO. 43321	DWG. NO. AXA-AMNFB	REV. B
		SCALE: NONE	CAD FILE: AXA-AMNFB.SLDDRW		SHEET 1 OF 1