

WR-42 and WR-34 Waveguide Gasket kit for Square Cover to Choke Flange is Non-Conductive



FMWGK1001

Features

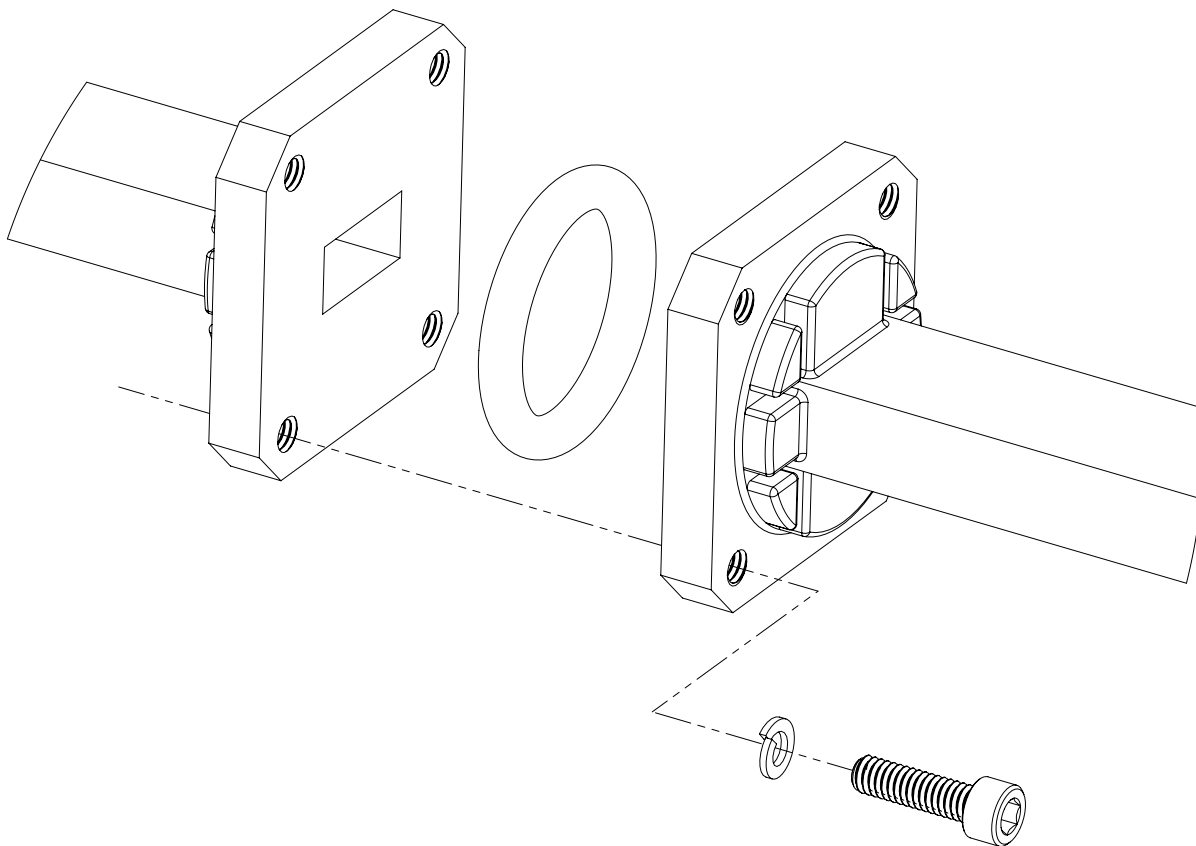
- Non-Conductive
- Shore "A" 70 Silicone Elastomer
- 18-8 Stainless Steel Hardware
- UG Cover to UG Choke

Description

This is a gasket kit consisting of a non-conductive gasket, stainless steel screws and washers to connect two waveguide flanges together. The FMWGK1001 is the kit made expressly for WR-34, WR-42 Square Cover/Choke waveguide flange. The gasket is made of Shore "A" 70 silicone elastomer. The screws and washers are made of stainless steel.

Fairview has waveguide gaskets (both conductive and non-conductive), screws and other accessories that you need for your waveguides. Often people can forget to order items like screws or waveguide supports. Fairview has a full line of waveguide accessories available for same day shipment so that you do not have to wait for weeks to get your system working.

Mechanical Specifications



WR-42 and WR-34 Waveguide Gasket kit for Square Cover to Choke Flange is Non-Conductive



FMWGK1001

Compliance Certifications (see [product page](#) for current document)

WR-42 and WR-34 Waveguide Gasket kit for Square Cover to Choke Flange is Non-Conductive from Fairview Microwave is in-stock and available to ship same-day. All of our RF/microwave products are available off-the-shelf from our ISO 9001:2008 certified facilities in Lewisville, Texas. Fairview Microwave is RF on-demand.

For additional information on this product, please click the following link: [WR-42 and WR-34 Waveguide Gasket kit for Square Cover to Choke Flange is Non-Conductive FMWGK1001](#)

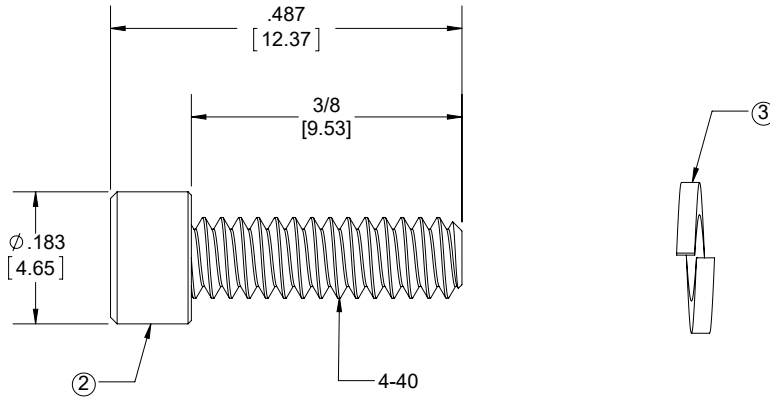
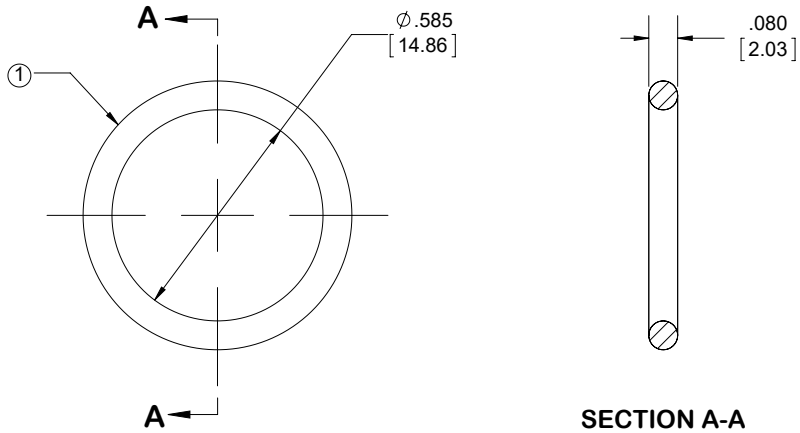
URL: <https://www.fairviewmicrowave.com/wr-42-wr-34-waveguide-gasket-kit-square-cover-choke-flange-non-conductive-fmwgk1001-p.aspx>

The information contained within this document is accurate to the best of our knowledge and representative of the part described herein. It may be necessary to make modifications to the part and/or the documentation of the part in order to implement improvements. Fairview Microwave reserves the right to make such changes as required. Unless otherwise stated, all specifications are nominal. Fairview Microwave does not make any representation or warranty regarding the suitability of the part described herein for any particular purpose, and Fairview Microwave does not assume liability arising out of the use of any part or document.

FMWKG1001 CAD Drawing

WR-42 and WR-34 Waveguide Gasket kit for Square Cover to Choke Flange is Non-Conductive

ITEM NO.	DESCRIPTION	QTY.
1	GASKET	1
2	4-40 X 3/8", SCREW	4
3	#4 SPLIT LOCK WASHER	4



STANDARD TOLERANCES

.X ±0.2
 .XX ±0.01
 .XXX ±0.005

*STANDARD TOLERANCES APPLY ONLY TO DIMENSIONS IN INCHES

FAIRVIEW MICROWAVE INC. ALLEN, TX 75013 WWW.FAIRVIEWMICROWAVE.COM		NOTES: 1. UNLESS OTHERWISE SPECIFIED ALL DIMENSIONS ARE NOMINAL. 2. ALL SPECIFICATIONS ARE SUBJECT TO CHANGE WITHOUT NOTICE AT ANY TIME. 3. DIMENSIONS ARE IN INCHES [mm].				
TITLE		DWG NO FMWKG1001		CAGE CODE 3FKR5		
		CAD FILE 073117	SHEET 1 OF 1	SCALE N/A	SIZE A	9999