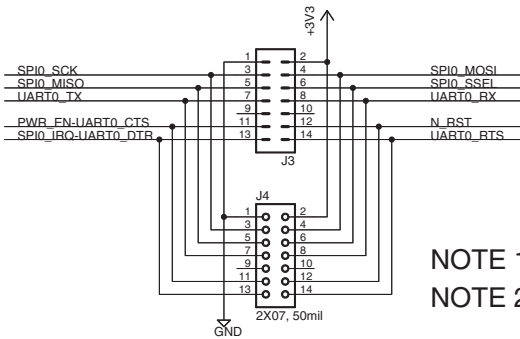


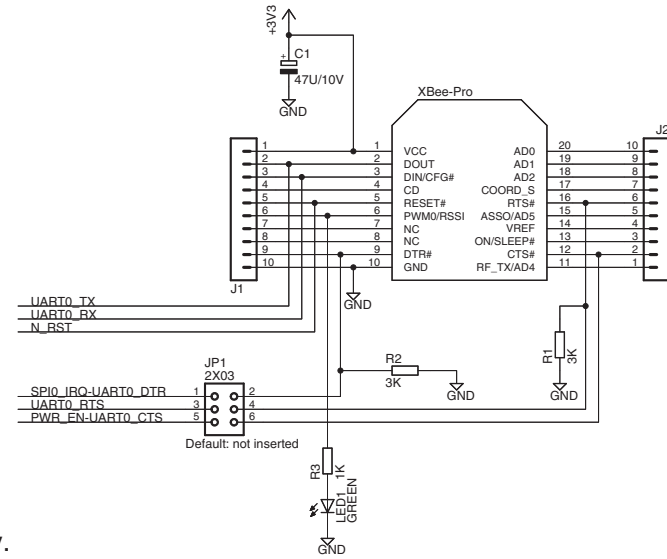
### Serial Expansion Connector

1: GND	2: VCC (3.3V, max 250mA)
3: SPI-SCK (output)	4: SPI-MOSI (output)
5: SPI-MISO (input)	6: SPI-SSEL (output)
7: UART-RX (input)	8: UART-TX (output)
9: I2C-SCL (output)	10: I2C-SDA (bidirectional)
11: GPIO (bidirectional)	12: GPIO (bidirectional)
13: AIN0/GPIO (input)	14: AIN3/AOUT/GPIO (input)



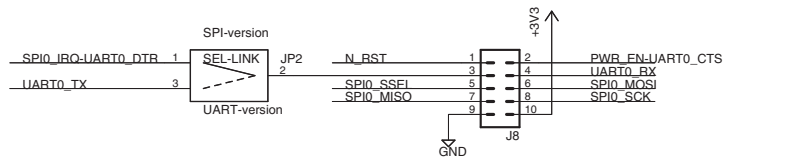
NOTE 1: Only one RF-module mounted at a time.  
 NOTE 2: RF-modules must be bought separately.

### Digi XBee(R) RF-module

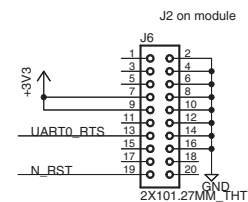
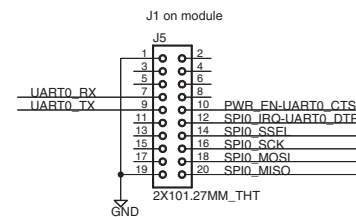


### LS Research TIWI-SL EM board / Anad0 EM boards (TI RF board pinning)

### RedPine



1: RESET_n	2: POWER_EN
3: SPI_INTR/ UART_IN (inp)	4: Reserved/UART_OUT (outp)
5: SPI_CS	6: SPI_MOSI
7: SPI_MISO	8: SPI_CLK
9: GND	10: VCC



(C) Embedded Artists AB

TITLE: RF Adapter Board rev A

Document Number:

Date: 2012-06-21 16:56:58

Sheet: 1/2