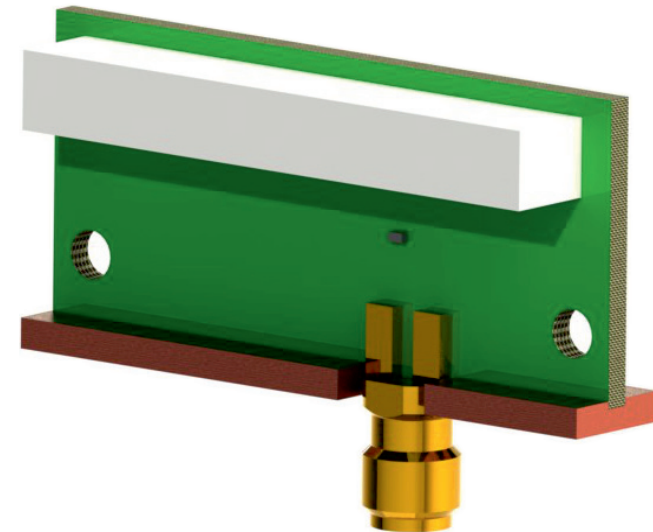


Wideband Antenna Coupler

EM078432-0

- All-in-one, high-quality coupler to test wideband antennas
- Extremely good near-field coupling at wide frequency range from 698 MHz to 2700 MHz
- Covers all cellular 2G/3G/4G and complementary BT/WLAN/GPS bands
- Outstanding small size, easy to integrate into all kind of test applications
- Applicable for testing all mobile device types
- Suitable for high-volume production and R&D test environments alike



APPLICATIONS

Wideband antenna testing of mobile devices like smartphones, tablets, wearables, handheld navigators, and other portable devices with cellular (LTE/GSM/CDMA/DCS/PCS/WCDMA/UMTS/HSDPA/GPRS/EDGE) and/or complementary wireless connectivity (BT/WLAN/GPS). Suitable for testing in high-volume production, R&D laboratories, service centres, and test laboratories.

TECHNICAL CHARACTERISTICS

Dimensions: 45*24*11 mm (1.77"*0.94"*0.43")

INTERFACE

RF connector type: SMA(Female)

INSTALLATION REQUIREMENTS

M3 plastic screws

CONTACT INFO

sales@bluelec.com

TECHNICAL DETAILS

Environments

Temperature	from 0°C to +60°C
Relative humidity	from 15% to 95% non-condensing

Specification

Antenna	PA700.J
Frequency range	from 698 MHz to 2700 MHz
Terminal	50 ohm
Polarization	linear
Radiation properties	omni-directional
Max input power	5 W

Return loss

698 Mhz -800 MHz	< -2 dB
824 Mhz - 960 MHz	< -4 dB
1410 Mhz - 1520 MHz	< -2 dB
1710 Mhz - 2170 MHz	< -2 dB
2400 Mhz - 2700 MHz	< -2 dB

Note: Return loss is reference measurement value without DUT or other mechanics in surrounded area

RoHS compliant

Lead free

