

2071566-4 ✓ ACTIVE

SCHRACK | SCHRACK Accessories Miniature Relay PT

TE Internal #: 2071566-4

Relay Accessories, Sockets & Clips, DIN Rail Mount, Polycarbonate,  
DIN Rail, 2, DIN Rail Socket / Socket, SCHRACK Accessories  
Miniature Relay PT

[View on TE.com >](#)



Relays & Contactors > Relays > Relay Accessories, Sockets & Clips



Relay Socket Type: DIN Rail Mount

Body Material: Polycarbonate

Product Mount Type: DIN Rail

Pole Configuration: 2

Relay Accessory Type: DIN Rail Socket, Socket

## Features

### Product Type Features

Relay Accessory Type	DIN Rail Socket, Socket
----------------------	-------------------------

### Body Features

Body Material	Polycarbonate
---------------	---------------

### Contact Features

Relay Socket Type	DIN Rail Mount
-------------------	----------------

Pole Configuration	2
--------------------	---

### Mechanical Attachment

Product Mounting Feature Type	Snap-On
-------------------------------	---------

Product Mount Type	DIN Rail
--------------------	----------

## Product Compliance

[For compliance documentation, visit the product page on TE.com>](#)

EU RoHS Directive 2011/65/EU	Compliant
------------------------------	-----------



EU ELV Directive 2000/53/EC	Compliant
China RoHS 2 Directive MIIT Order No 32, 2016	No Restricted Materials Above Threshold
EU REACH Regulation (EC) No. 1907/2006	Current ECHA Candidate List: JAN 2024 (240) Candidate List Declared Against: JUNE 2022 (224) Does not contain REACH SVHC
Halogen Content	Low Halogen - Br, Cl, F, I < 900 ppm per homogenous material. Also BFR/CFR/PVC Free
Solder Process Capability	Not applicable for solder process capability

Product Compliance Disclaimer

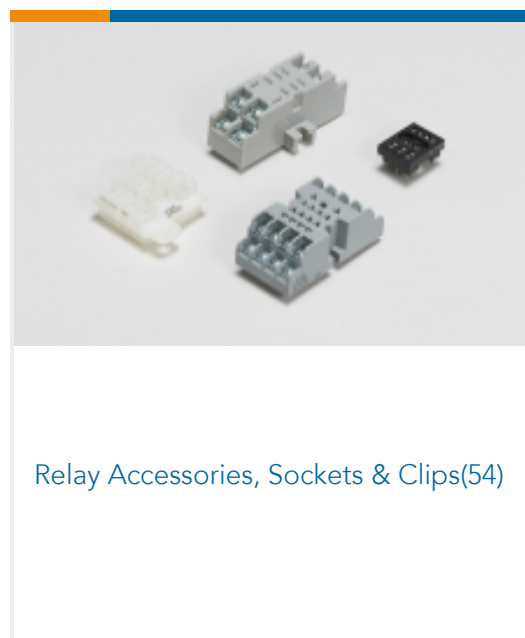
This information is provided based on reasonable inquiry of our suppliers and represents our current actual knowledge based on the information they provided. This information is subject to change. The part numbers that TE has identified as EU RoHS compliant have a maximum concentration of 0.1% by weight in homogenous materials for lead, hexavalent chromium, mercury, PBB, PBDE, DBP, BBP, DEHP, DIBP, and 0.01% for cadmium, or qualify for an exemption to these limits as defined in the Annexes of Directive 2011/65/EU (RoHS2). Finished electrical and electronic equipment products will be CE marked as required by Directive 2011/65/EU. Components may not be CE marked. Additionally, the part numbers that TE has identified as EU ELV compliant have a maximum concentration of 0.1% by weight in homogenous materials for lead, hexavalent chromium, and mercury, and 0.01% for cadmium, or qualify for an exemption to these limits as defined in the Annexes of Directive 2000/53/EC (ELV). Regarding the REACH Regulation, the information TE provides on SVHC in articles for this part number is based on the latest European Chemicals Agency (ECHA) 'Guidance on requirements for substances in articles' posted at this URL: <https://echa.europa.eu/guidance-documents/guidance-on-reach>

## Compatible Parts

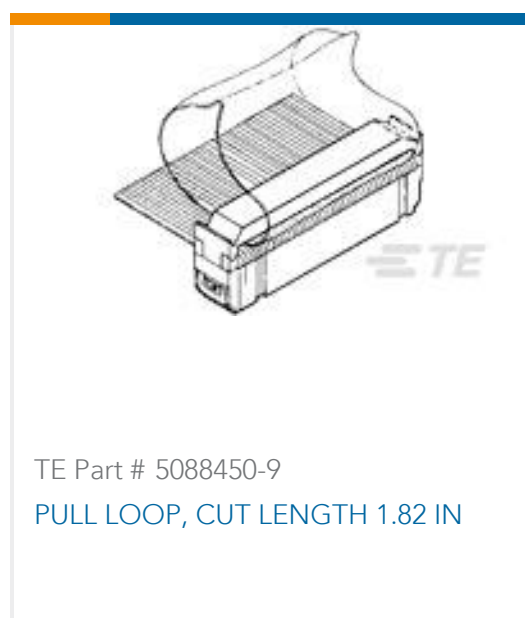
 <p>TE Part # 9-1415001-1 PT270L24</p>	 <p>TE Part # 4-1419111-2 PT270024</p>	 <p>TE Part # 5-1419111-1 PT270730</p>	 <p>TE Part # 5-1419111-3 PT271024</p>
 <p>TE Part # 5-1419111-8 PT271730</p>	 <p>TE Part # 4-1419111-8 PT270524</p>	 <p>TE Part # 5-1419111-0 PT270615</p>	 <p>TE Part # 1415002-1 PT270R24</p>

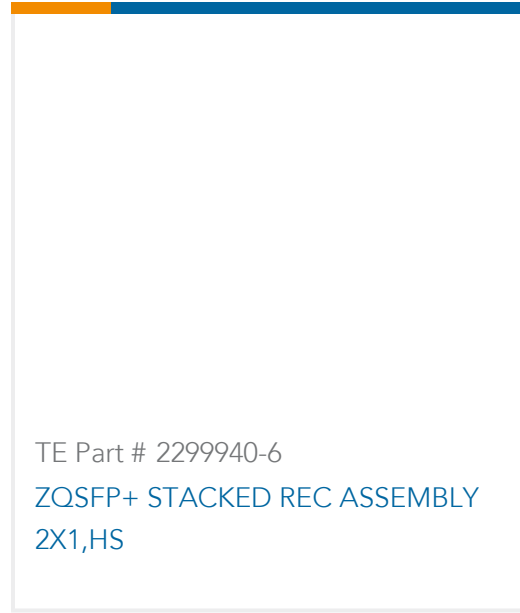


Also in the Series | **SCHRACK Accessories Miniature Relay PT**



Customers Also Bought





## Documents

### Product Drawings

[PT78A2P](#)

English

### CAD Files

Customer View Model

[ENG\\_CVM\\_CVM\\_2071566-4\\_1.3d\\_stp.zip](#)

English

Customer View Model

[ENG\\_CVM\\_CVM\\_2071566-4\\_1.2d\\_dxf.zip](#)

English

Customer View Model

[ENG\\_CVM\\_CVM\\_2071566-4\\_1.3d\\_igs.zip](#)

English

[3D PDF](#)

3D

By downloading the CAD file I accept and agree to the [Terms and Conditions](#) of use.

### Datasheets & Catalog Pages

[ACCESSORIES FOR MINIATURE RELAY PT](#)

English

### Agency Approvals

[CE Declaration of Conformity](#)

English