

MACX-MR-C-10 - Monitoring relay



1336510

<https://www.phoenixcontact.com/us/products/1336510>

Please be informed that the data shown in this PDF document is generated from our online catalog. Please find the complete data in the user documentation. Our general terms of use for downloads are valid.



Current monitoring relay, 24 V AC/DC ... 240 V AC/DC wide range power supply, with adjustable threshold values, response delay, and the functions can be selected by configuration.

Commercial data

Item number	1336510
Packing unit	1 pc
Minimum order quantity	1 pc
Sales key	C443
Product key	CK4721
GTIN	4063151637057
Weight per piece (including packing)	208 g
Weight per piece (excluding packing)	195 g
Customs tariff number	85364900
Country of origin	CN

MACX-MR-C-10 - Monitoring relay



1336510

<https://www.phoenixcontact.com/us/products/1336510>

Technical data

Product properties

Product type	Current monitoring relay
Operating mode	Closed circuit or wire break

Insulation characteristics: Railway standard

Overvoltage category	III
Pollution degree	3

Electrical properties

Service life electrical	approx. 1×10^5 cycles, resistive load 2000 V A
Maximum power dissipation for nominal condition	15 W
Mains type	1-phase

Railway standard

Rated insulation voltage	600 V
--------------------------	-------

Electrical isolation

Electrical isolation	300 V
----------------------	-------

Supply

Supply voltage range	24 V AC ... 240 V AC -15 % ... +10 %
	24 V DC ... 240 V DC -25 % ... +30 %
Nominal power consumption	15 VA (1.5 W)

Input data

Input name	Measuring input
Measured value	DC, AC sine (40 Hz ... 500 Hz)
Input current range	0 A AC/DC ... 10 A AC/DC
Overload capacity	15 A AC/DC
Input resistance current input	5 m Ω
Frequency range	48 Hz ... 400 Hz
Maximum temperature coefficient	0.05 %/K
Setting range for response delay	0 s ... 99.9 s
Function	Undercurrent
	Overcurrent
	Window
Basic accuracy	1 % (>1A, ± 10 mA (0...1A))
Repeat accuracy	0.5 %
Recovery time	200 ms

Output data

Switching

Contact switching type	2 floating changeover contacts
------------------------	--------------------------------

MACX-MR-C-10 - Monitoring relay



1336510

<https://www.phoenixcontact.com/us/products/1336510>

Contact material	AgSnO ₂
Maximum switching voltage	250 V AC
Interrupting rating (ohmic load) max.	2000 VA (8 A/250 V AC)
Output fuse	8 A (fast-blow)

Connection data

Connection method	Screw connection
Stripping length	10 mm
Conductor cross section rigid	0.2 mm ² ... 2.5 mm ²
Conductor cross section flexible	0.2 mm ² ... 2.5 mm ²
Conductor cross section AWG	24 ... 14
Tightening torque	0.5 Nm ... 0.6 Nm (5 lb in ... 7 lb in)

Dimensions

Width	22.5 mm
Height	109 mm
Depth	114 mm

Material specifications

Flammability rating according to UL 94	V0
Housing insulation material	PBT

Environmental and real-life conditions

Ambient conditions

Degree of protection	IP40 (Housing) IP20 (Connection terminal blocks)
Ambient temperature (operation)	-25 °C ... 60 °C
Ambient temperature (storage/transport)	-40 °C ... 85 °C
Permissible humidity (operation)	10 % ... 95 %

Approvals

CE

Identification	CE-compliant
----------------	--------------

UL, USA/Canada

Identification	UL/C-UL Listed UL 508
----------------	-----------------------

CCC

Identification	GB/T 14048.5
----------------	--------------

Electronic devices in rail vehicles

Operating temperature class	OT4
Class of extended operating temperature upon activation	ST2
Temperature change class	H1 S2

MACX-MR-C-10 - Monitoring relay



1336510

<https://www.phoenixcontact.com/us/products/1336510>

Interruption of the power supply/supply changeover	S3/C1
	C2
Hazard levels	HL1
	HL2
	HL3
Protective coating	PC2
Shock (operation)	Category 1
Vibration (operation)	Class B

EMC data

Low Voltage Directive	Conformance with Low Voltage Directive
Noise immunity	EN 61000-6-2
Electromagnetic compatibility	Conformance with EMC directive
Noise emission	EN 61000-6-4

Standards and regulations

Railway standard

Standard designation	EN 50155, GB/T 25119
----------------------	----------------------

Mounting

Assembly note	on standard DIN rail NS 35 in accordance with EN 60715
Mounting position	any

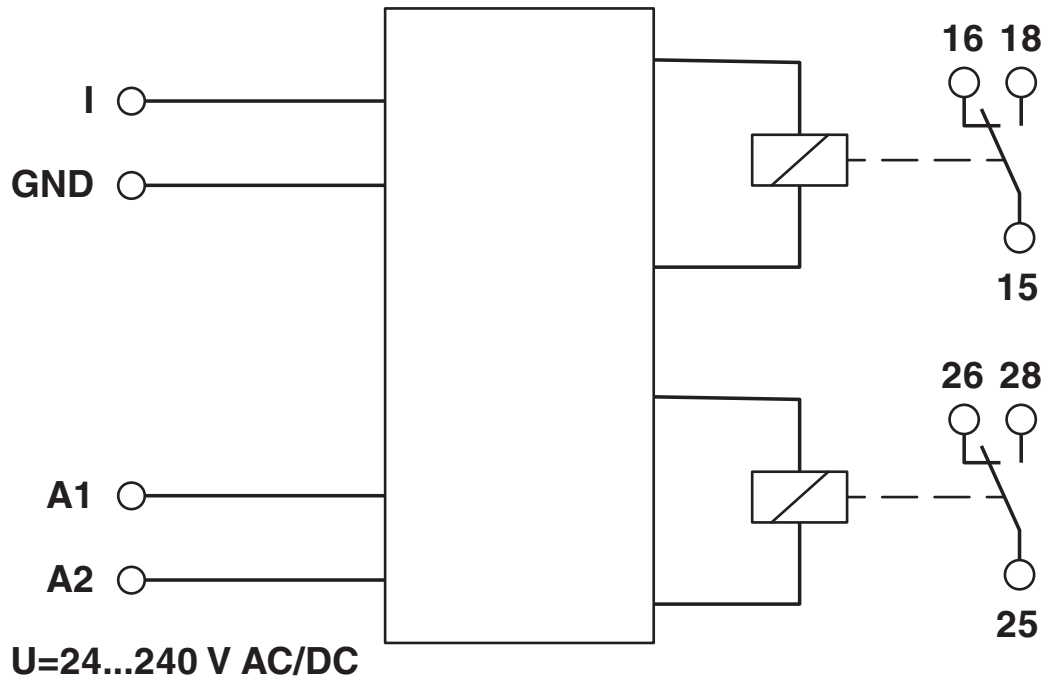
MACX-MR-C-10 - Monitoring relay

1336510

<https://www.phoenixcontact.com/us/products/1336510>

Drawings

Block diagram



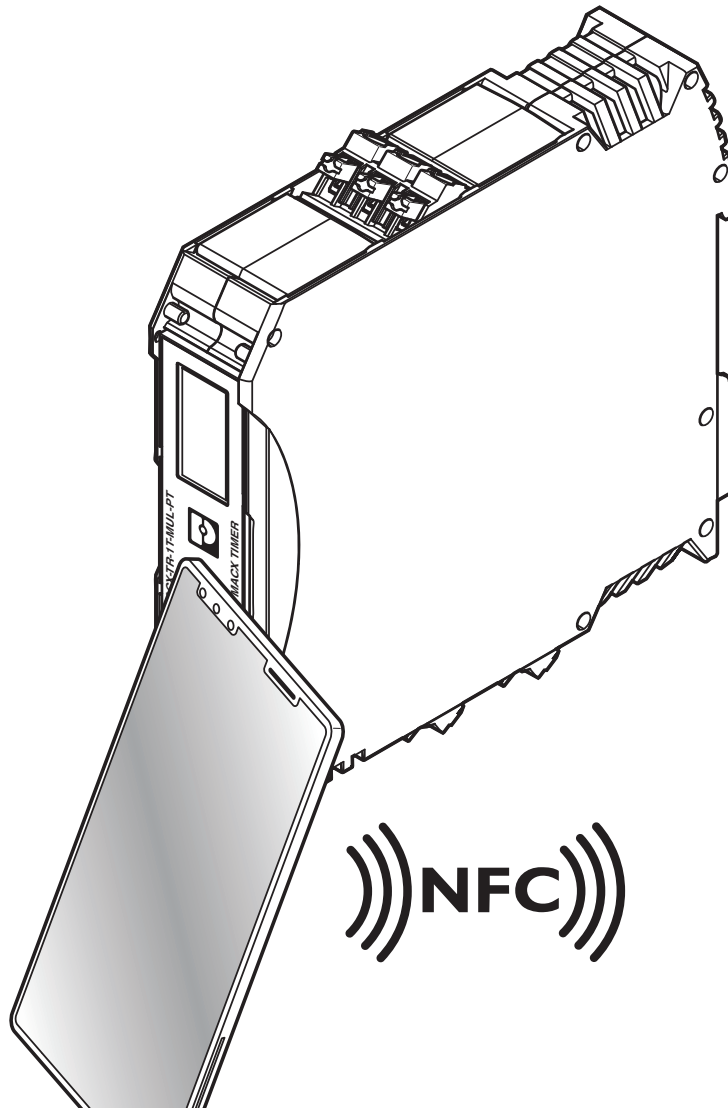
MACX-MR-C-10 - Monitoring relay

1336510

<https://www.phoenixcontact.com/us/products/1336510>



Schematic diagram



MACX-MR-C-10 - Monitoring relay



1336510

<https://www.phoenixcontact.com/us/products/1336510>

Classifications

ECLASS

ECLASS-11.0	27371802
ECLASS-13.0	27371802
ECLASS-12.0	27371802

ETIM

ETIM 9.0	EC001440
----------	----------

MACX-MR-C-10 - Monitoring relay



1336510

<https://www.phoenixcontact.com/us/products/1336510>

Environmental product compliance

EU RoHS

Fulfills EU RoHS substance requirements	Yes
Exemption	7(a), 7(c)-I

China RoHS

Environment friendly use period (EFUP)	EFUP-50
	An article-related China RoHS declaration table can be found in the download area for the respective article under "Manufacturer declaration". For all articles with EFUP-E, no China RoHS declaration table issued and required.

EU REACH SVHC

REACH candidate substance (CAS No.)	Lead(CAS: 7439-92-1)
-------------------------------------	----------------------

MACX-MR-C-10 - Monitoring relay

1336510

<https://www.phoenixcontact.com/us/products/1336510>



Accessories

MACX-BLUETOOTH-NFC - Adapter

1142259

<https://www.phoenixcontact.com/us/products/1142259>



Bluetooth NFC adapter

Phoenix Contact 2024 © - all rights reserved
<https://www.phoenixcontact.com>

Phoenix Contact USA
586 Fulling Mill Road
Middletown, PA 17057, United States
(+717) 944-1300
info@phoenixcon.com