

DESCRIPTION: REED RELAY, 1 FORM A WITH 1800 OHM, 12.0 VDC .

PART NUMBER

4031-12-3001

ELECTRICAL

TEST PARAMETERS		TEST CONDITIONS (note 1)	MIN.	NOM.	MAX.	UNITS
COIL RESISTANCE			1620	1800	1980	OHMS
NOMINAL VOLTAGE				12.0	16	VOLTS
MUST OPERATE		@25°C			9.0	VOLTS
MUST RELEASE			1.0			VOLTS
SWITCHING VOLTAGE					500	VOLTS
SWITCHING CURRENT					0.5	AMPS
CARRY CURRENT					1.0	AMPS
CONTACT RATING (SWITCHING)					10.0	WATTS
LIFE EXPECTANCY	SIGNAL LOAD	1 VOLT 10 mAMPS		100E6		OPERATIONS
	MEDIUM LOAD	CONTACT FACTORY		N/A		OPERATIONS
	HIGH LOAD	CONTACT FACTORY		N/A		OPERATIONS
STATIC CONTACT RESISTANCE		0.050 VOLTS , 10 Ma 50 mSec AFTER COIL ENERG.			.150	OHMS
DYNAMIC CONTACT RESISTANCE		0.50 VOLTS , 50 Ma 100 Hz 1.5 mSec.			N/A	OHMS
INSULATION RESISTANCE	ACROSS OPEN CONTACTS	AT 100 VDC	1E10			OHMS
	CONTACT TO COIL		1E10			OHMS
	COIL TO SHIELD		N/A			OHMS
	CONTACT TO SHIELD		N/A			OHMS
CAPACITANCE	CONTACT GAP	SHIELD GUARDED		0.2		ρF
CAPACITANCE	OPEN CONTACTS	SHIELD GUARDED		N/A		ρF
CAPACITANCE	CONTACT TO COIL	SHIELD GUARDED		N/A		ρF
DIELECTRIC STRENGTH	CONTACT GAP	DC/ PEAK AC	1200			VOLTS
	CONTACT TO SHIELD	DC/ PEAK AC	N/A			VOLTS
	CONTACT TO COIL	AC VRMS	1500			VOLTS
OPERATE TIME (INCLUDING BOUNCE)		AT NOMINAL VOLTAGE 30 Hz SQUARE WAVE		1.0		mSEC
RELEASE TIME (ZENER DIODE SUPPRESSION)				0.5		mSEC
ENVIRONMENTAL						
STORAGE TEMPERATURE			-40		+100	° C
OPERATING TEMPERATURE			-20		+80	° C

NOTES:

1. All parameters specified per EIA/NARM standards for dry reed relays NO RS-421 & RS-436 unless otherwise noted, all parameters specified @ 25 deg. C & 40% R.H.

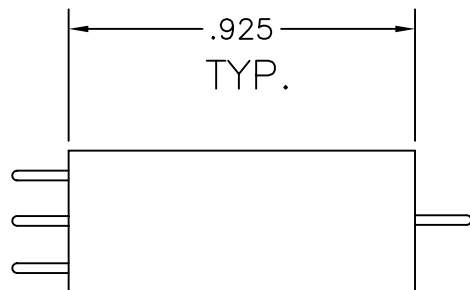
	SHEET: 1 OF 2
APPROVAL:	CUST: N/A
ENG: LMC	CUST P/N N/A
REV. N/A	TYPE: 1 form A
DATE: 4/25/02	COTO P/N: 4031-12-3001



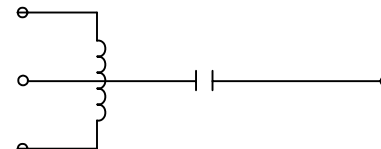
55 DUPONT DR.
PROVIDENCE RI

PART NUMBER

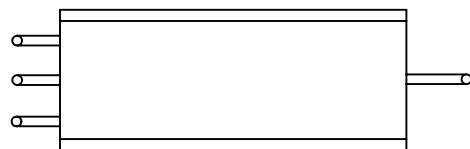
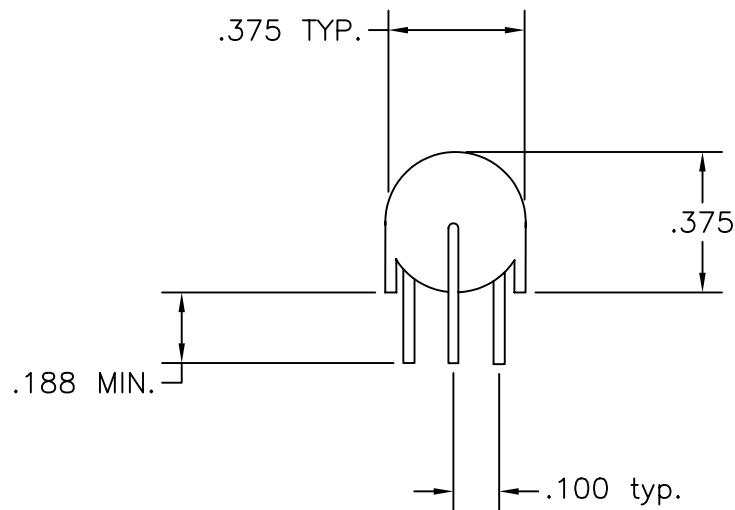
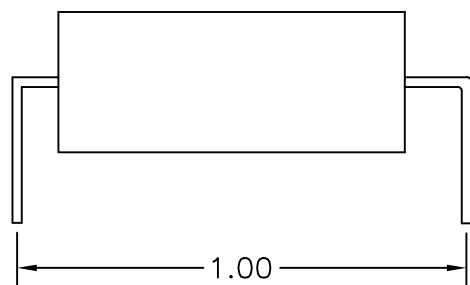
4031-12-3001



.025 DIA.



SCHEMATIC
(TOP VIEW)



	SCALE: N/A	CUST P/N:
	DECIMAL: .005	NAME: REED RELAY-1A
DATE: 4/25/02	FRACTIONS: 1/32	PART NO.: 4031-12-3001
ENG: LMC	COTO 55 DUPONT DR. PROVIDENCE R.I.	