

1418984-1 ✓ ACTIVE

AMP | Micro Timer III

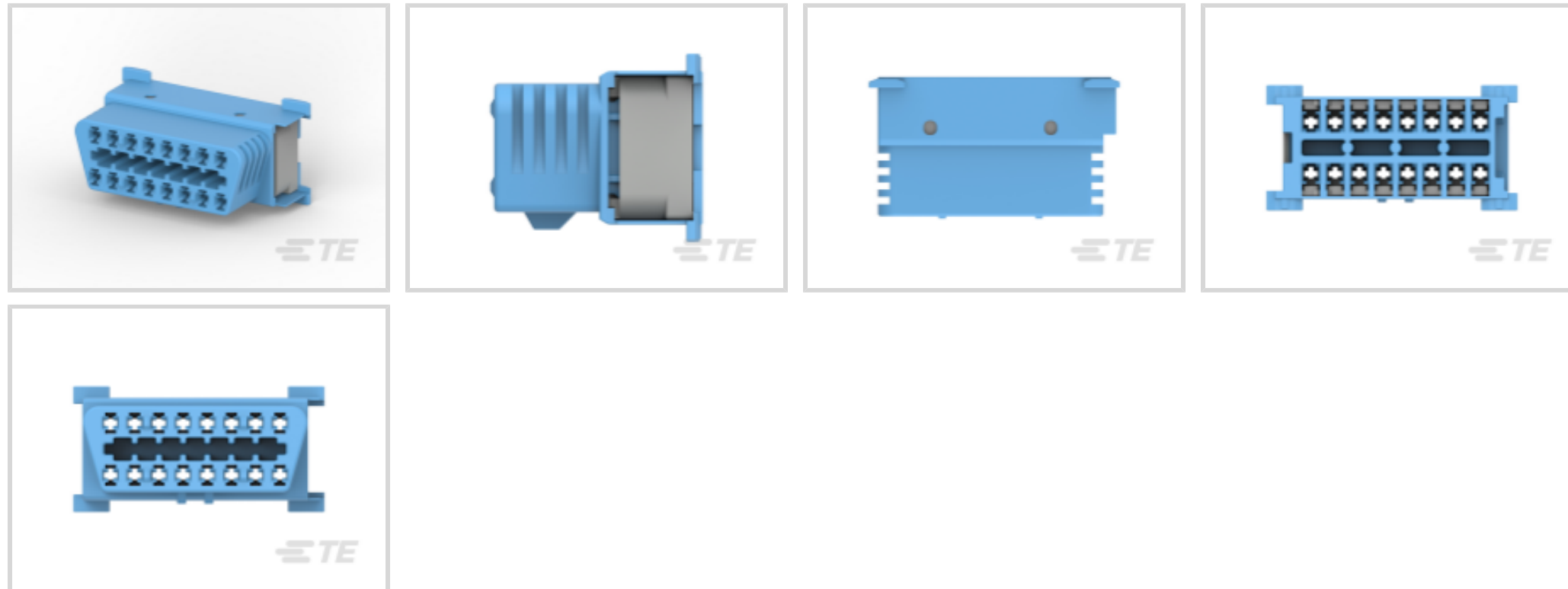
TE Internal #: 1418984-1

Housing for Female Terminals, Wire-to-Wire, 16 Position, .157 in [4 mm] Centerline, Blue, Signal, Cable Mount (Free-Hanging), Micro Timer III

[View on TE.com >](#)



Connectors > Automotive Connectors > Automotive Housings > Timer Connector Housing



Connector System: **Wire-to-Wire**

Number of Positions: **16**

Connector & Housing Type: **Housing for Female Terminals**

Centerline (Pitch): **4 mm [ .157 in ]**

Sealable: **No**

[All Timer Connector Housing \(519\)](#)

## Features

### Product Type Features

Mixed & Hybrid Connector	No
Connector Shape	Rectangular
Connector System	Wire-to-Wire
Connector & Housing Type	Housing for Female Terminals
Sealable	No
Primary Locking Feature	On the Terminal

### Configuration Features

Number of Positions	16
Number of Rows	2

### Electrical Characteristics

Operating Voltage	48 VDC
Nominal Voltage Architecture	12 V, 24 V, 42 V, 48 V



### Body Features

Cable Exit Angle	180°
Primary Product Color	Blue
Connector & Keying Code	B

### Contact Features

Contact Type	Receptacle
Mating Tab Width	1.6 mm[.063 in]

### Mechanical Attachment

Terminal Position Assurance	Yes
Strain Relief	Without
Mating Alignment Type	Keyed
Mating Alignment	With
Connector Mounting Type	Cable Mount (Free-Hanging)

### Housing Features

Housing Material	PBT GF
Centerline (Pitch)	4 mm[.157 in]

### Dimensions

Connector Height	20.7 mm[.815 in]
Product Width	22.9 mm[.9 in]
Product Length	41.5 mm[1.633 in]
Row-to-Row Spacing	5.5 mm[.217 in]

### Usage Conditions

Operating Temperature (Max)	70 °C, 75 °C, 80 °C, 85 °C, 90 °C, 100 °C, 105 °C, 110 °C, 120 °C[158 °F][167 °F][176 °F][185 °F][194 °F][212 °F][221 °F][230 °F][248 °F]
Operating Temperature Range	-40 – 120 °C[-40 – 248 °F]

### Operation/Application

Circuit Application	Signal
---------------------	--------

### Industry Standards

UL Flammability Rating	UL 94HB
------------------------	---------

### Packaging Features

Packaging Quantity	360
--------------------	-----



Packaging Method Box

**Other**

Serviceable Yes

Connector Position Assurance Capable No

**Product Compliance**

[For compliance documentation, visit the product page on TE.com>](#)

EU RoHS Directive 2011/65/EU Compliant

EU ELV Directive 2000/53/EC Compliant

China RoHS 2 Directive MIIT Order No 32, 2016 No Restricted Materials Above Threshold

EU REACH Regulation (EC) No. 1907/2006 Current ECHA Candidate List: JAN 2024 (240)  
Candidate List Declared Against: JAN 2024 (240)  
Does not contain REACH SVHC

Halogen Content Low Halogen - Br, Cl, F, I < 900 ppm per homogenous material. Also BFR/CFR/PVC Free

Solder Process Capability Not applicable for solder process capability

**Product Compliance Disclaimer**

This information is provided based on reasonable inquiry of our suppliers and represents our current actual knowledge based on the information they provided. This information is subject to change. The part numbers that TE has identified as EU RoHS compliant have a maximum concentration of 0.1% by weight in homogenous materials for lead, hexavalent chromium, mercury, PBB, PBDE, DBP, BBP, DEHP, DIBP, and 0.01% for cadmium, or qualify for an exemption to these limits as defined in the Annexes of Directive 2011/65/EU (RoHS2). Finished electrical and electronic equipment products will be CE marked as required by Directive 2011/65/EU. Components may not be CE marked. Additionally, the part numbers that TE has identified as EU ELV compliant have a maximum concentration of 0.1% by weight in homogenous materials for lead, hexavalent chromium, and mercury, and 0.01% for cadmium, or qualify for an exemption to these limits as defined in the Annexes of Directive 2000/53/EC (ELV). Regarding the REACH Regulation, the information TE provides on SVHC in articles for this part number is based on the latest European Chemicals Agency (ECHA) 'Guidance on requirements for substances in articles' posted at this URL: <https://echa.europa.eu/guidance-documents/guidance-on-reach>

**Compatible Parts**



## Also in the Series | Micro Timer III



Automotive Housings(8)



Automotive Terminals(12)

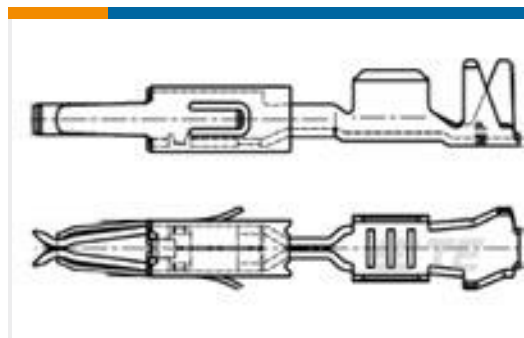


Insertion & Extraction Tools(3)

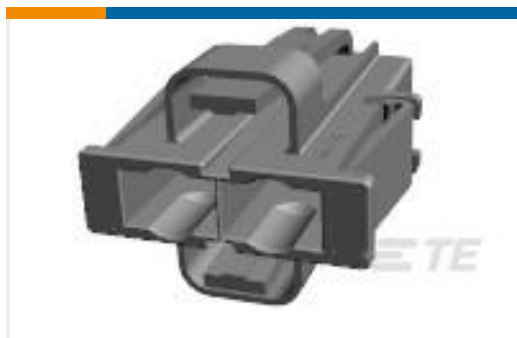
## Customers Also Bought



TE Part #1-967629-2  
FLA-STE-GEH2,8 18P



TE Part #1241860-2  
MT3 REC 1.6 Contact SRC Sn



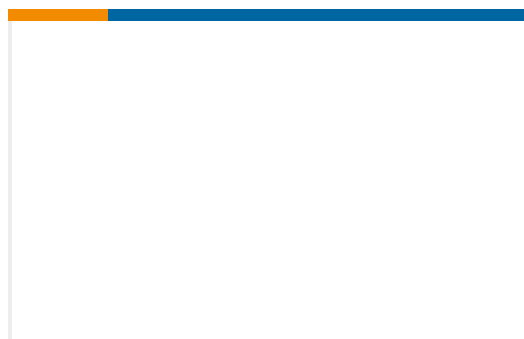
TE Part #1355289-2  
MCP9,5BU-GEH2P,GRAU



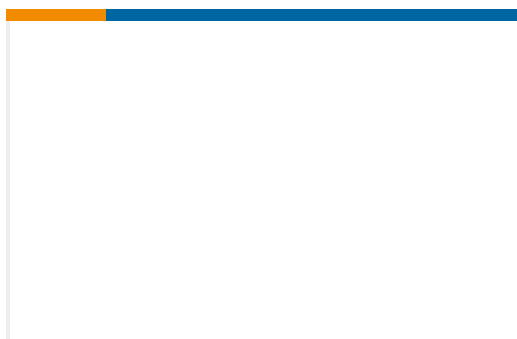
TE Part #2-880490-2  
FUSE CONTACT - BUS



TE Part #881572-1  
BUSBAR,STAMPED,CUSN4,0.4MM,2 POSN



TE Part #1-2819196-8  
3 W ABS CABLE ASSY MBB 9.000



TE Part #2-2819195-6  
2 W ABS CABLE ASSY MBB 10.000



TE Part #2-2819196-2  
3 W ABS CABLE ASSY MBB 10.000



TE Part #2819195-1  
2 W ABS CABLE ASSY MBB 8.000



TE Part #3-2819195-2  
2W ABS CABLE ASSY, 14.000 MM

## Documents

### Product Drawings

MICRO TIMER 3 REC.HSG.16POS.

English

### CAD Files

3D PDF

3D



**Customer View Model**

[ENG\\_CVM\\_CVM\\_1418984-1\\_B.2d\\_dxf.zip](#)

English

**Customer View Model**

[ENG\\_CVM\\_CVM\\_1418984-1\\_B.3d\\_igs.zip](#)

English

**Customer View Model**

[ENG\\_CVM\\_CVM\\_1418984-1\\_B.3d\\_stp.zip](#)

English

By downloading the CAD file I accept and agree to the [Terms and Conditions](#) of use.

**Datasheets & Catalog Pages**

[Timer Interconnection System](#)

English