

638394-1  ACTIVE

AMP | AMP 0.64 Connector System

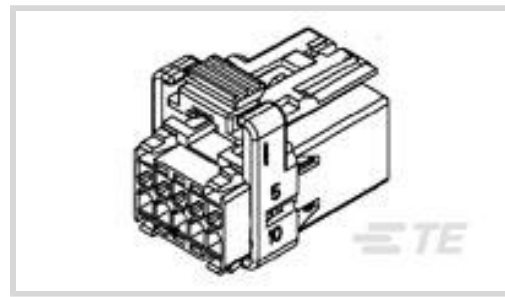
TE Internal #: 638394-1

Wire-to-Wire, 12 Position, .1 in [2.54 mm] Centerline, Black, Signal, Cable Mount (Free-Hanging), Key A, AMP 0.64 Connector System

[View on TE.com >](#)



Connectors > Automotive Connectors > Automotive Housings



Connector System: **Wire-to-Wire**

Number of Positions: **12**

Centerline (Pitch): **2.54 mm [.1 in]**

Sealable: **No**

Mating Tab Width: **.64 mm [.025 in]**

## Features

### Product Type Features

Mixed & Hybrid Connector	No
Connector Shape	Rectangular
Connector System	Wire-to-Wire
Sealable	No

### Configuration Features

Number of Positions	12
Number of Rows	2

### Body Features

Primary Product Color	Black
Connector & Keying Code	A

### Contact Features

Contact Size	.64mm
Mating Tab Width	.64 mm [.025 in]

### Mechanical Attachment

Terminal Position Assurance	Yes
Strain Relief	Without
Mating Alignment Type	Keyed
Mating Alignment	With



Connector Mounting Type	Cable Mount (Free-Hanging)
-------------------------	----------------------------

### Housing Features

Housing Material	PBT GF
Centerline (Pitch)	2.54 mm[.1 in]

### Dimensions

Connector Height	25.01 mm[.985 in]
Product Width	20.3 mm[.799 in]
Product Length	18 mm[.709 in]
Row-to-Row Spacing	2.54 mm[.1 in]

### Operation/Application

Circuit Application	Signal
---------------------	--------

### Industry Standards

Compatible With Agency/Standards Products	SAE/USCAR-2
UL Flammability Rating	UL 94HB

### Packaging Features

Packaging Quantity	25
Packaging Method	Package

### Other

Serviceable	No
Connector Position Assurance Capable	No

### Product Compliance

[For compliance documentation, visit the product page on TE.com>](#)

EU RoHS Directive 2011/65/EU	Compliant
EU ELV Directive 2000/53/EC	Compliant
China RoHS 2 Directive MIIT Order No 32, 2016	No Restricted Materials Above Threshold
EU REACH Regulation (EC) No. 1907/2006	Current ECHA Candidate List: JAN 2024 (240) Candidate List Declared Against: JAN 2024 (240) Does not contain REACH SVHC
Halogen Content	Low Halogen - Br, Cl, F, I < 900 ppm per homogenous material. Also BFR/CFR/PVC Free

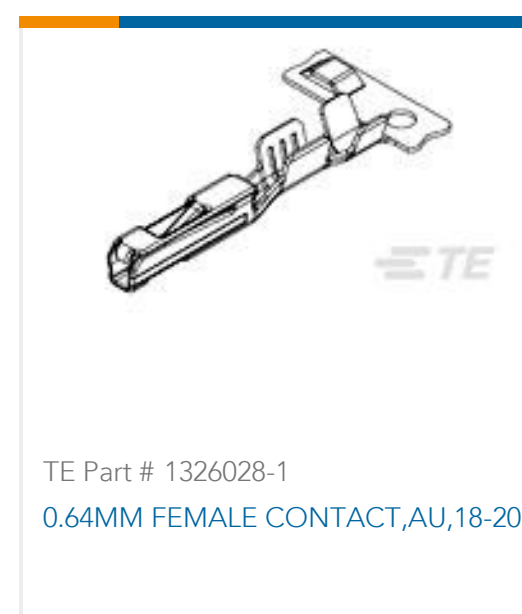
Solder Process Capability

Not applicable for solder process capability

## Product Compliance Disclaimer

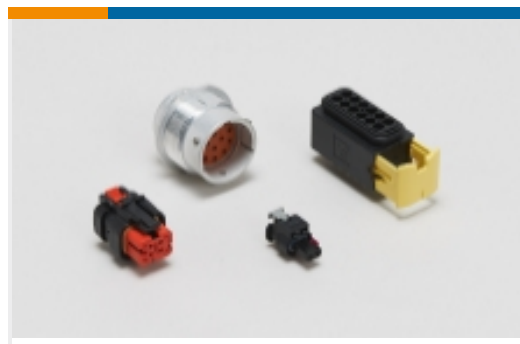
This information is provided based on reasonable inquiry of our suppliers and represents our current actual knowledge based on the information they provided. This information is subject to change. The part numbers that TE has identified as EU RoHS compliant have a maximum concentration of 0.1% by weight in homogenous materials for lead, hexavalent chromium, mercury, PBB, PBDE, DBP, BBP, DEHP, DIBP, and 0.01% for cadmium, or qualify for an exemption to these limits as defined in the Annexes of Directive 2011/65/EU (RoHS2). Finished electrical and electronic equipment products will be CE marked as required by Directive 2011/65/EU. Components may not be CE marked. Additionally, the part numbers that TE has identified as EU ELV compliant have a maximum concentration of 0.1% by weight in homogenous materials for lead, hexavalent chromium, and mercury, and 0.01% for cadmium, or qualify for an exemption to these limits as defined in the Annexes of Directive 2000/53/EC (ELV). Regarding the REACH Regulation, the information TE provides on SVHC in articles for this part number is based on the latest European Chemicals Agency (ECHA) 'Guidance on requirements for substances in articles' posted at this URL: <https://echa.europa.eu/guidance-documents/guidance-on-reach>

## Compatible Parts

Also in the Series | [AMP 0.64 Connector System](#)



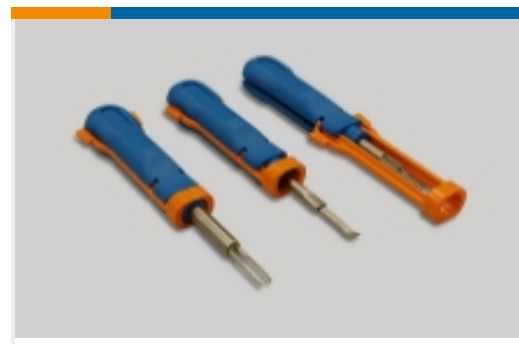
Automotive Connector Caps & Covers (17)



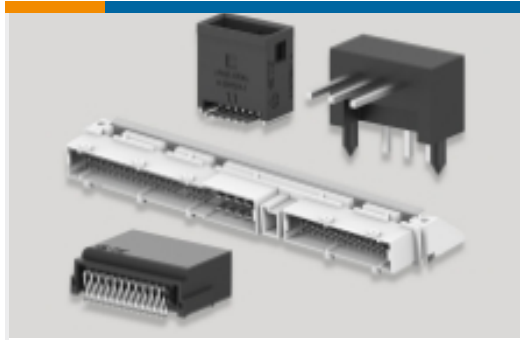
Automotive Housings(26)



Automotive Terminals(12)



Insertion & Extraction Tools(1)

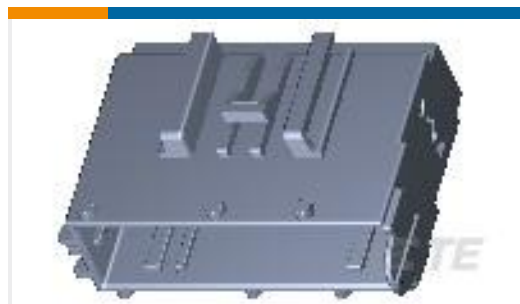


PCB Headers & Receptacles(5)

## Customers Also Bought



TE Part # 284875-6  
20 POS FEMALE CONN ASSY



TE Part # 284879-3  
20 POS MALE HOUSING ASSY



TE Part # 1-965984-1  
TAB 5.8x0.8 CONTACT CS SRC Sn



TE Part # 1438759-2  
22Way Hybrid 040/2.8 Plug Assy Key "C"



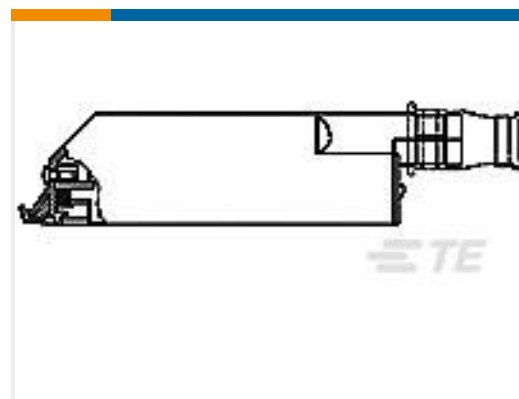
TE Part # 1473247-2  
MQS 81P LEVER(R) ASSY



TE Part # 1473255-3  
LEVER ASSY TYPE-A 40POS



TE Part # 1241765-2  
16POS MIXED MQS REC



TE Part # 828761-1  
55P JUN-TIM GEH MIX



TE Part # 1670326-2  
1.5MM SFC, CONTACT



TE Part # 2334024-1  
24POS, 1.5X0.64, TAB HSG ASSY, SLD, COD NEUT

## Documents



### Product Drawings

[ASSY,12P PLUG "A" KEY, W/O CPA](#)

English

---

### CAD Files

[3D PDF](#)

English

**Customer View Model**

[ENG\\_CVM\\_638394-1\\_A.2d\\_dxf.zip](#)

English

**Customer View Model**

[ENG\\_CVM\\_638394-1\\_A.3d\\_igs.zip](#)

English

**Customer View Model**

[ENG\\_CVM\\_638394-1\\_A.3d\\_stp.zip](#)

English

By downloading the CAD file I accept and agree to the [Terms and Conditions](#) of use.

---

### Instruction Sheets

[Instruction Sheet \(U.S.\)](#)

English