

6-929264-2 ✓ ACTIVE

AMP | Micro Timer II

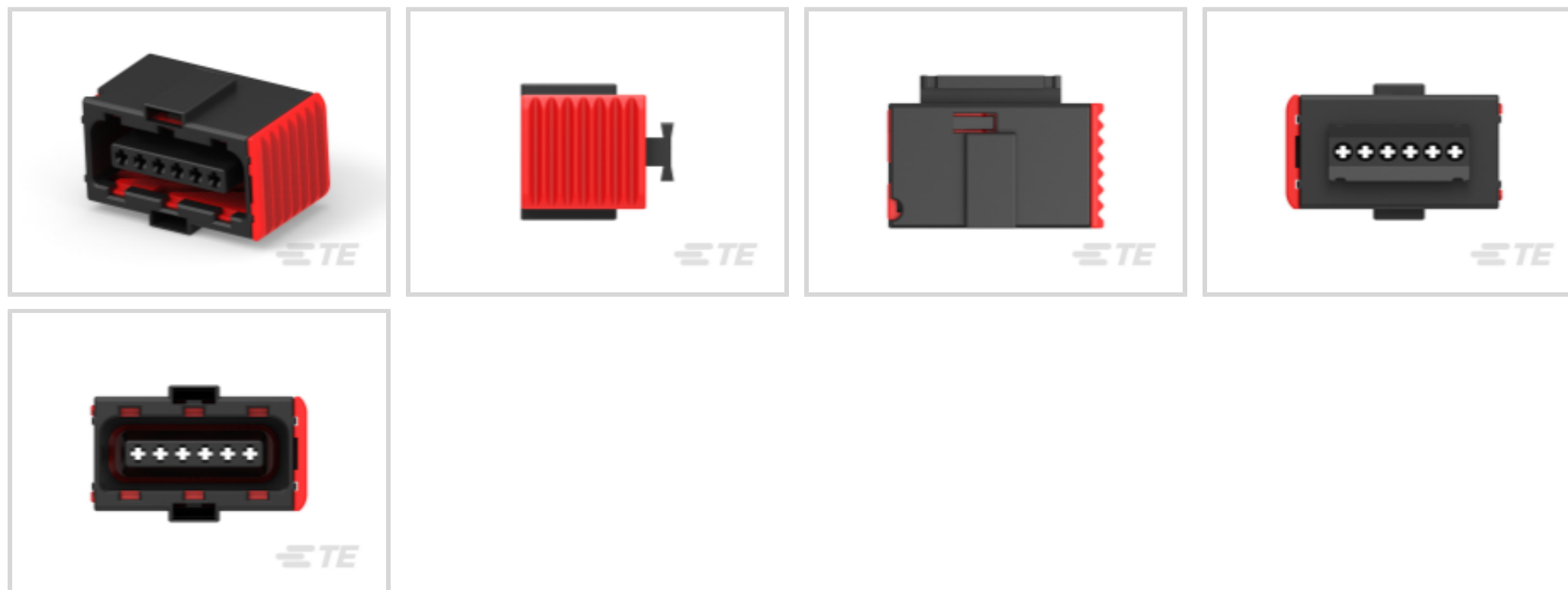
TE Internal #: 6-929264-2

Housing for Female Terminals, Wire-to-Board / Wire-to-Wire, 6 Position, .16 in [4.2 mm] Centerline, Sealable, Black, Wire & Cable, Micro Timer II

[View on TE.com >](#)



Connectors > Automotive Connectors > Automotive Housings



Connector System: **Wire-to-Board, Wire-to-Wire**

Number of Positions: **6**

Connector & Housing Type: **Housing for Female Terminals**

Centerline (Pitch): **4.2 mm [ .16 in ]**

Sealable: **Yes**

## Features

### Product Type Features

Mixed & Hybrid Connector	No
Connector Shape	Rectangular
Connector System	Wire-to-Board, Wire-to-Wire
Connector & Housing Type	Housing for Female Terminals
Sealable	Yes
Connector & Contact Terminates To	Wire & Cable
Primary Locking Feature	Locking Lance

### Configuration Features

Blank Cavity Position	6
Number of Positions	6
Number of Rows	1

### Electrical Characteristics

Operating Voltage	14 VAC
Nominal Voltage Architecture	14 V



### Body Features

Cable Exit Angle	0°
Primary Product Color	Black
Connector & Keying Code	N

### Contact Features

Contact Size	1.6mm
Contact Type	Receptacle
Mating Tab Width	1.6 mm[.06 in]
Contact Current Rating (Max)	10 A

### Mechanical Attachment

Terminal Position Assurance	Yes
Strain Relief	Without
Mating Alignment Type	Keyed
Mating Alignment	With
Connector Mounting Type	Cable Mount (Free-Hanging)

### Housing Features

Housing Material	PA GF
Centerline (Pitch)	4.2 mm[.16 in]

### Dimensions

Connector Height	25.4 mm[.1 in]
Product Width	56.3 mm[2.213 in]
Product Length	28.5 mm[1.11 in]
Compatible Insulation Diameter Range	.5 - 1 mm[.016 - .03 in]

### Usage Conditions

Operating Temperature (Max)	85 °C[85 °F]
Operating Temperature Range	-40 - 85 °C[-40 - 185 °F]

### Operation/Application

Circuit Application	Signal
---------------------	--------

### Industry Standards

Degree of Protection	IP64K
Compatible With Agency/Standards Products	CE



### Packaging Features

Packaging Quantity	375
Packaging Method	Box

### Other

Serviceable	Yes
Connector Position Assurance Capable	No

### Product Compliance

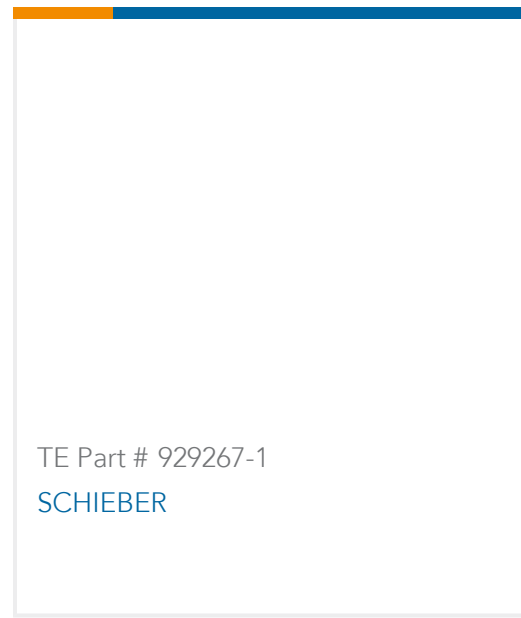
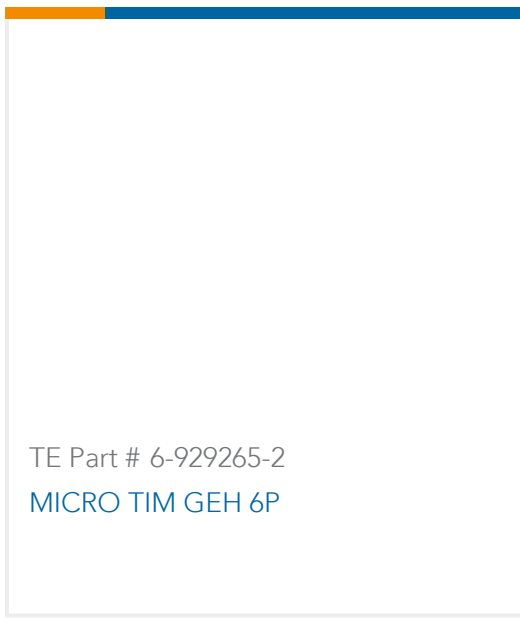
[For compliance documentation, visit the product page on TE.com>](#)

EU RoHS Directive 2011/65/EU	Compliant
EU ELV Directive 2000/53/EC	Compliant
China RoHS 2 Directive MIIT Order No 32, 2016	No Restricted Materials Above Threshold
EU REACH Regulation (EC) No. 1907/2006	Current ECHA Candidate List: JAN 2024 (240) Candidate List Declared Against: JAN 2024 (240) Does not contain REACH SVHC
Halogen Content	BFR/CFR/PVC Free, but Br/Cl >900 ppm in other sources.
Solder Process Capability	Not applicable for solder process capability

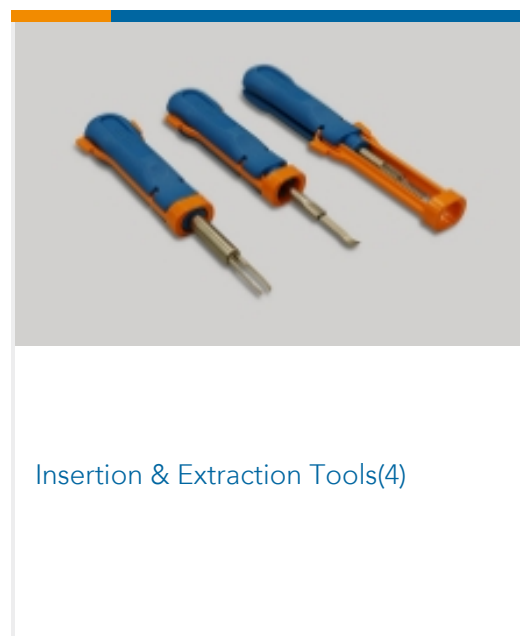
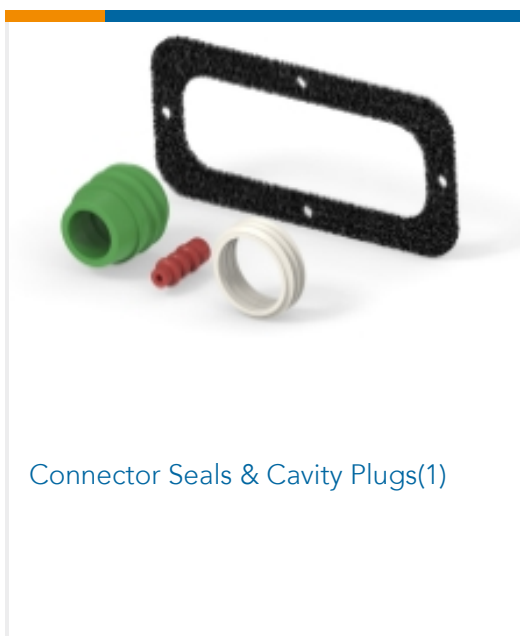
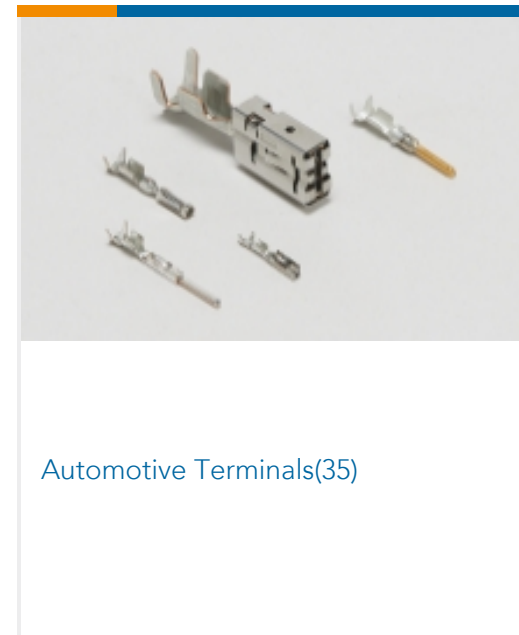
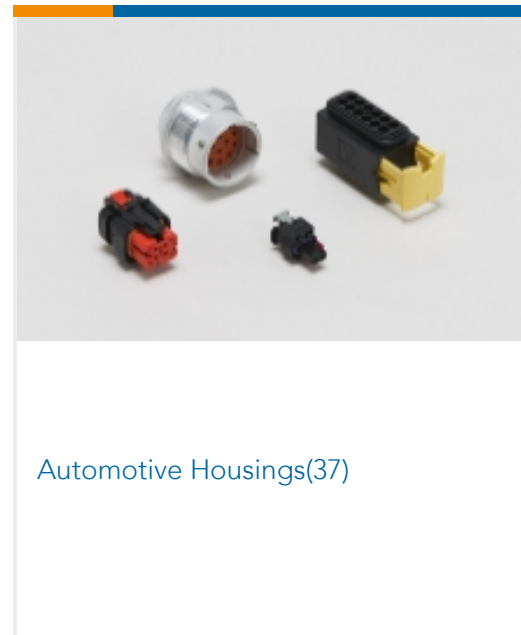
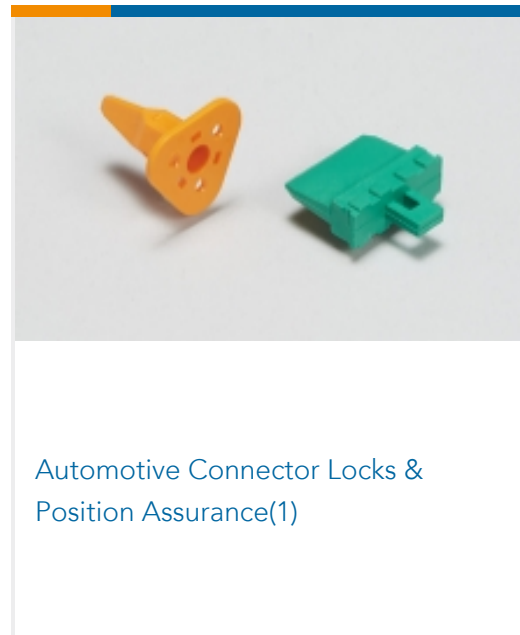
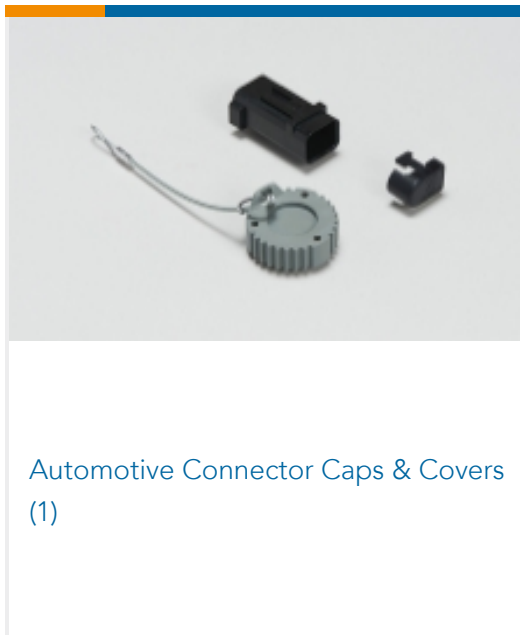
#### Product Compliance Disclaimer

This information is provided based on reasonable inquiry of our suppliers and represents our current actual knowledge based on the information they provided. This information is subject to change. The part numbers that TE has identified as EU RoHS compliant have a maximum concentration of 0.1% by weight in homogenous materials for lead, hexavalent chromium, mercury, PBB, PBDE, DBP, BBP, DEHP, DIBP, and 0.01% for cadmium, or qualify for an exemption to these limits as defined in the Annexes of Directive 2011/65/EU (RoHS2). Finished electrical and electronic equipment products will be CE marked as required by Directive 2011/65/EU. Components may not be CE marked. Additionally, the part numbers that TE has identified as EU ELV compliant have a maximum concentration of 0.1% by weight in homogenous materials for lead, hexavalent chromium, and mercury, and 0.01% for cadmium, or qualify for an exemption to these limits as defined in the Annexes of Directive 2000/53/EC (ELV). Regarding the REACH Regulation, the information TE provides on SVHC in articles for this part number is based on the latest European Chemicals Agency (ECHA) 'Guidance on requirements for substances in articles' posted at this URL: <https://echa.europa.eu/guidance-documents/guidance-on-reach>

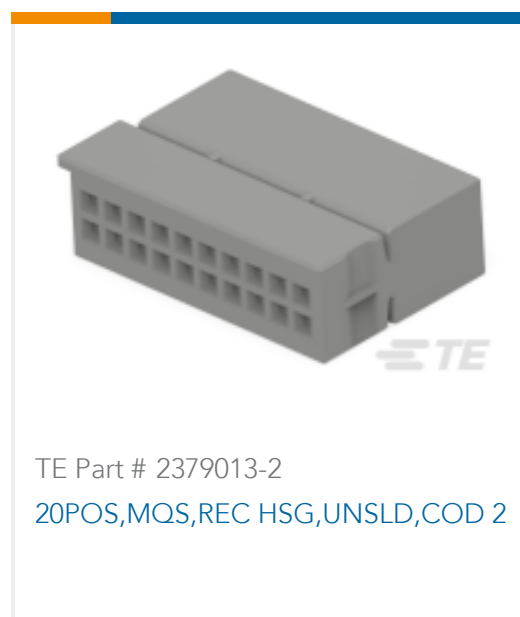
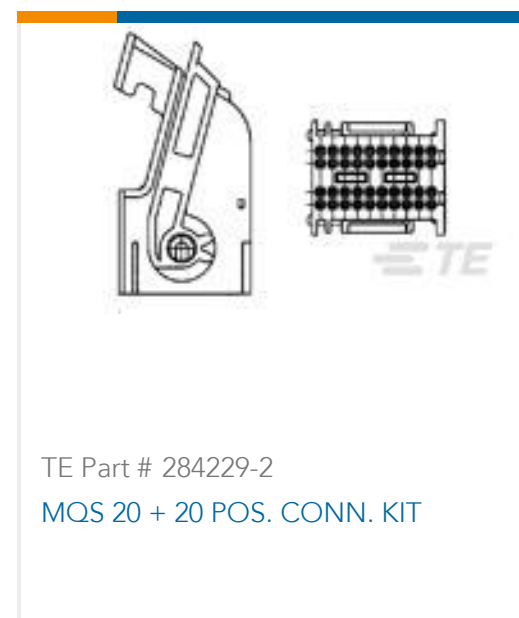
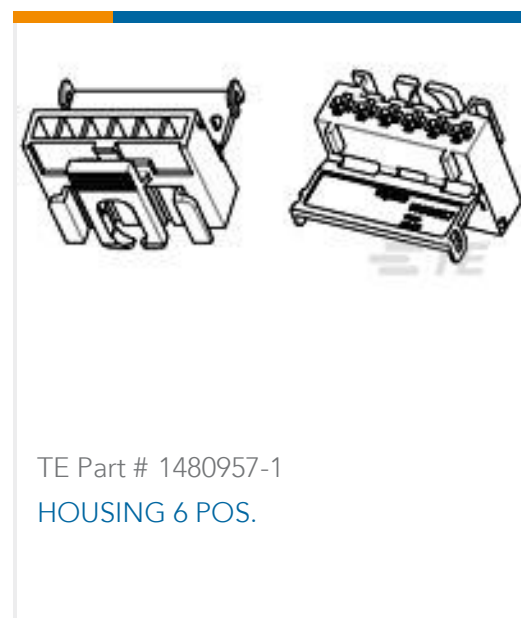
### Compatible Parts



## Also in the Series | Micro Timer II



## Customers Also Bought





## Documents

### Product Drawings

[MT2 GEH 6P,ASSY,SW](#)

English

### CAD Files

Customer View Model

[ENG\\_CVM\\_CVM\\_6-929264-2\\_D.2d\\_dxf.zip](#)

English

[3D PDF](#)

3D

Customer View Model

[ENG\\_CVM\\_CVM\\_6-929264-2\\_D.3d\\_igs.zip](#)

English

Customer View Model

[ENG\\_CVM\\_CVM\\_6-929264-2\\_D.3d\\_stp.zip](#)

English

By downloading the CAD file I accept and agree to the [Terms and Conditions](#) of use.

### Product Specifications

[6 pol. MT2 Buchsengehaeuse](#)

English

[Application Specification](#)

English

[Interface for 6 Pos. MT2 Connector](#)

English

[Application Specification](#)

English