

1456471-1 ✓ ACTIVE

Generation Y Connector System

TE Internal #: 1456471-1

Housing for Female Terminals, Wire-to-Board / Wire-to-Device, 8 Position, Generation Y Connector System

[View on TE.com >](#)



Connectors > Automotive Connectors > Automotive Housings



Connector System: **Wire-to-Board, Wire-to-Device**

Number of Positions: **8**

Connector & Housing Type: **Housing for Female Terminals**

Centerline (Pitch): **2.54 mm, 13.92 mm [.1 in, .548 in]**

Sealable: **No**

Features

Product Type Features

Mixed & Hybrid Connector	Yes
Connector Shape	Rectangular
Connector System	Wire-to-Board, Wire-to-Device
Connector & Housing Type	Housing for Female Terminals
Sealable	No
Primary Locking Feature	Integrated in Housing

Configuration Features

Number of Positions	8
Number of Rows	2

Body Features

Cable Exit Angle	180°
Primary Product Color	Black
Connector & Keying Code	A

Contact Features

Contact Size	.64mm, 2.8mm
Contact Type	Receptacle
Mating Tab Width	.64 mm, 2.8 mm[.025 in][.11 in]

Mechanical Attachment



Terminal Position Assurance	Yes
Strain Relief	Without
Mating Alignment Type	Keyed
Mating Alignment	With
Connector Mounting Type	Cable Mount (Free-Hanging)

Housing Features

Housing Material	PA GF
Centerline (Pitch)	2.54 mm, 13.92 mm[.1 in][.548 in]

Dimensions

Connector Height	21 mm[.827 in]
Product Width	24.7 mm[.972 in]
Product Length	21.42 mm[.843 in]
Row-to-Row Spacing	4.5 mm[.177 in]

Usage Conditions

Operating Temperature (Max)	70 °C, 75 °C, 80 °C, 85 °C[158 °F][167 °F] [176 °F][185 °F]
Operating Temperature Range	-40 - 85 °C[-40 - 185 °F]

Operation/Application

Circuit Application	Signal
---------------------	--------

Packaging Features

Packaging Quantity	1
Packaging Method	Package

Other

Serviceable	Yes
Connector Position Assurance Capable	Yes

Product Compliance

[For compliance documentation, visit the product page on TE.com>](#)

EU RoHS Directive 2011/65/EU	Compliant
EU ELV Directive 2000/53/EC	Compliant
China RoHS 2 Directive MIIT Order No 32, 2016	No Restricted Materials Above Threshold
EU REACH Regulation (EC) No. 1907/2006	Current ECHA Candidate List: JAN 2024 (240)



Candidate List Declared Against: JAN 2024 (240)

Does not contain REACH SVHC

Halogen Content	Low Halogen - Br, Cl, F, I < 900 ppm per homogenous material. Also BFR/CFR/PVC Free
Solder Process Capability	Not applicable for solder process capability


Product Compliance Disclaimer

This information is provided based on reasonable inquiry of our suppliers and represents our current actual knowledge based on the information they provided. This information is subject to change. The part numbers that TE has identified as EU RoHS compliant have a maximum concentration of 0.1% by weight in homogenous materials for lead, hexavalent chromium, mercury, PBB, PBDE, DBP, BBP, DEHP, DIBP, and 0.01% for cadmium, or qualify for an exemption to these limits as defined in the Annexes of Directive 2011/65/EU (RoHS2). Finished electrical and electronic equipment products will be CE marked as required by Directive 2011/65/EU. Components may not be CE marked. Additionally, the part numbers that TE has identified as EU ELV compliant have a maximum concentration of 0.1% by weight in homogenous materials for lead, hexavalent chromium, and mercury, and 0.01% for cadmium, or qualify for an exemption to these limits as defined in the Annexes of Directive 2000/53/EC (ELV). Regarding the REACH Regulation, the information TE provides on SVHC in articles for this part number is based on the latest European Chemicals Agency (ECHA) 'Guidance on requirements for substances in articles' posted at this URL: <https://echa.europa.eu/guidance-documents/guidance-on-reach>

Compatible Parts



TE Part # CAT-A11-T273
1.5/2.8 CONNECTOR SYSTEM, RECPT AND TAB



TE Part # 1456468-1
8p Hybrid 0.64/2.8 Unsealed Header Assy



TE Part # 1924955-2
CONTACT, FEMALE 0.64, 18AWG, UNSEALED



TE Part # 1924955-4
CONTACT, FEMALE 0.64, 18AWG, UNSEALED



TE Part # 1924955-1
CONTACT, FEMALE 0.64, 20-22AWG, UNSEAL



TE Part # 1924955-3
CONTACT, FEMALE 0.64, 20-22AWG, UNSEAL



TE Part # 1924955-5
CONTACT, FEMALE 0.64, 0.13SQMM, UN



TE Part # 1924955-7
CONTACT, FEMALE 0.64, 0.13SQMM, UN

Also in the Series | Generation Y Connector System



Automotive Connector Caps & Covers (21)



Automotive Housings(154)



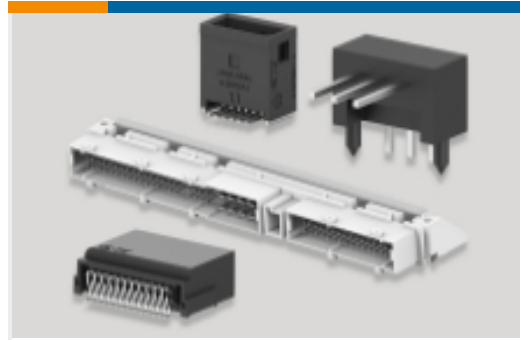
Automotive Terminals(46)



Connector Seals & Cavity Plugs(6)

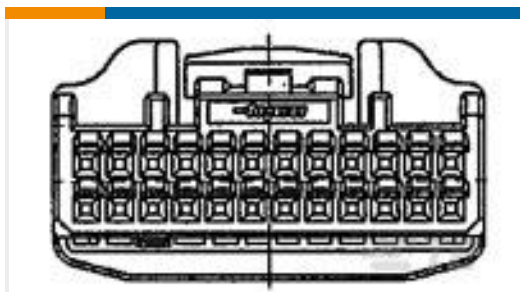


Insertion & Extraction Tools(1)



PCB Headers & Receptacles(23)

Customers Also Bought



TE Part # 1674312-2
0.64 III 40POS PLUG ASSY



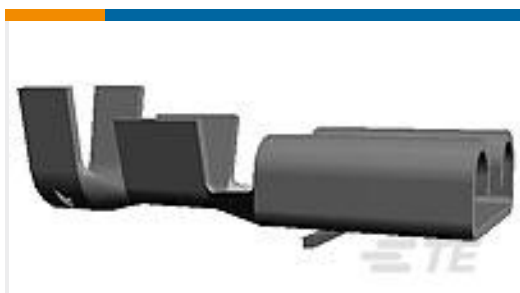
TE Part # 2236793-3
SMARTSEAL TERMINAL



TE Part # 1411001-6
SEALED HARN ASSY W CPA KEY B



TE Part # 1827120-1
SQUIB LOCKING BUTTON



TE Part # 170089-2
FF 250 REC 14-12AWG TPBR



TE Part # 2203770-2
2POS, MCON 1.2 CB TAB 1p TL SEALED



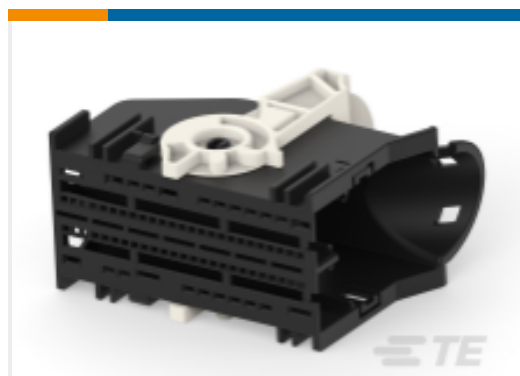
TE Part # 2290490-1
16POS,1.0 SERIES,REC HSG ASSY,SLD



TE Part # 2305881-1
CVTY PLUG,090 SERIES,CVTY DIA,1, GRY



TE Part # 2341174-1
AMP MCP 2.8,TERMINAL,SWS, LANCELESS



TE Part # 2177472-1
73POS, MIXED,REC HSG,ASSY,BK

Documents



Product Drawings

[8p Hybrid 0.64/2.8 Unsealed PI](#)

English

CAD Files

[3D PDF](#)

3D

Customer View Model

[ENG_CVM_CVM_1456471-1_A_c-1456471-1-a.2d_dxf.zip](#)

English

Customer View Model

[ENG_CVM_CVM_1456471-1_A_c-1456471-1-a.3d_igs.zip](#)

English

Customer View Model

[ENG_CVM_CVM_1456471-1_A_c-1456471-1-a.3d_stp.zip](#)

English

By downloading the CAD file I accept and agree to the [Terms and Conditions](#) of use.

Product Specifications

[Product Specification](#)

English

Instruction Sheets

[Instruction Sheet \(U.S.\)](#)

English

[Instruction Sheet \(U.S.\)](#)

English