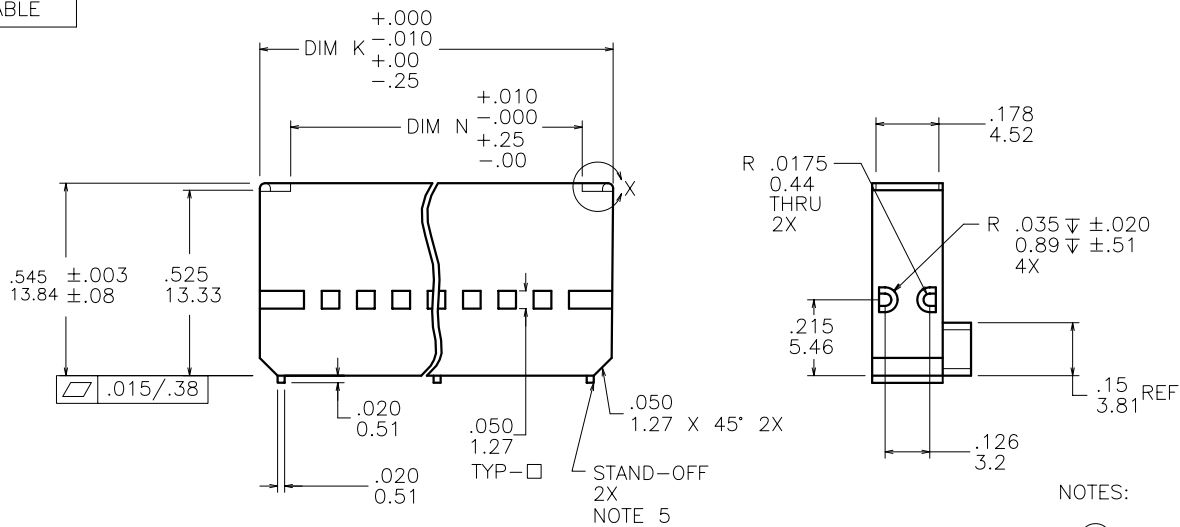


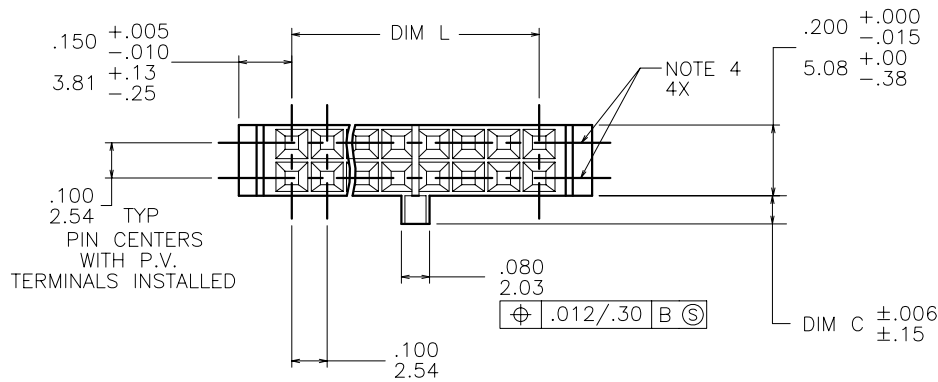
PRODUCT NO.

SEE TABLE



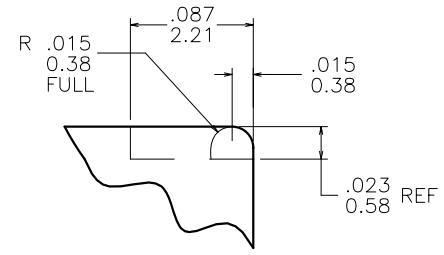
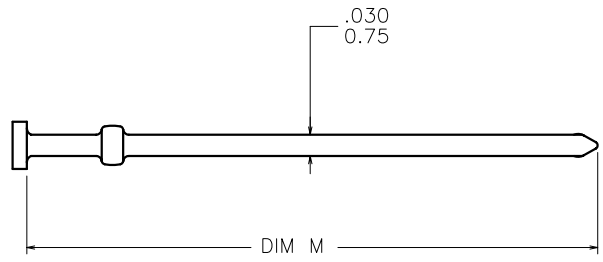
NOTES:

- ① MOLDING MATERIAL: MODIFIED POLYPHENYLENE ETHER, FLAME RETARDANT PER UL-94V-0, COLOR: BLACK.
2. PIN LENGTH TO BE .210/5.33 MIN. RECOMMENDED PIN LENGTH IS .225±.015/5.72±.38.
- ③ RETENTION ROD TO BE INCLUDED WITH MINI ROD HOUSING (QUANTITY 2 PER HSG). RETENTION RODS TO BE TRIMMED AFTER INSERTION.
- ④ END 2 POSITIONS ARE MOLDED CLOSED—BOTH ENDS.
- ⑤ CENTER STAND-OFF ON 2X13 AND LARGER HOUSINGS ONLY.
6. PRODUCT MEETS EUROPEAN UNION DIRECTIVES AND OTHER COUNTRY REGULATIONS AS DESCRIBED IN GS-22-008.
7. THIS PRODUCT IS NOT INTENDED TO BE EXPOSED TO MANUFACTURING SOLDER PROCESSES.
8. PRODUCT SPECIFICATION: BUS-12-067.



| | | | | | | | |
|---------------------------|----------|-----|------------|---------------------------------------|--------------|------------|---|
| mat'l. code SEE NOTE 1 | | | | surface | tolerance | projection | product family PV HOUSINGS |
| ltr | ec'n no | dr | date | tolerances unless otherwise specified | | INCH/MM | title |
| C | C50094 | MSC | 1995-11-29 | angles | linear | | MINI ROD HSG DR POLARIZED WITH LATCHING FEATURE |
| D | V91206 | BKB | 1999-07-06 | 0'±2' | linear | scale 2:1 | |
| E | V03-1336 | PJ | 2004-01-22 | | | | sheet 1 of 2 size |
| F | V05-0717 | TAB | 2005-07-29 | dr | A. RAISTRICK | 1990-09-18 | 85855 |
| G | V06-0448 | HTB | 2006-05-23 | engr | C. TREXLER | 1990-09-18 | |
| H | V07-0565 | HTB | 2007-08-27 | chr | C. TREXLER | 1990-09-18 | A3 |
| | | | | appd | C. TREXLER | 1990-09-18 | |
| sheet | revision | H | H | | | | type |
| index | sheet | 1 | 2 | | | | Product Customer Drawing |

| PRODUCT NO. | NO OF USABLE POS | DIM K | DIM L | DIM C | RETENTION ROD P/N | DIM M | DIM N |
|-------------|------------------|-------------|-------------|-----------|-------------------|--------------|-------------|
| 86855-006LF | 2 X 3 | .500/12.70 | .200/5.08 | .080/2.03 | 89590-001 | 2.300/58.42 | .325/8.26 |
| 86855-010LF | 2 X 5 | .700/17.78 | .400/10.16 | .080/2.03 | 89590-001 | 2.300/58.42 | .525/13.34 |
| 86855-014LF | 2 X 7 | .900/22.86 | .600/15.24 | .080/2.03 | 89590-001 | 2.300/58.42 | .725/18.42 |
| 86855-016LF | 2 X 8 | 1.000/25.40 | .700/17.78 | .080/2.03 | 89590-001 | 2.300/58.42 | .825/20.96 |
| 86855-020LF | 2 X 10 | 1.200/30.48 | .900/22.86 | .080/2.03 | 89590-001 | 2.300/58.42 | 1.025/26.04 |
| 86855-024LF | 2 X 12 | 1.400/35.56 | 1.100/27.94 | .080/2.03 | 89590-001 | 2.300/58.42 | 1.225/31.12 |
| 86855-026LF | 2 X 13 | 1.500/38.10 | 1.200/30.48 | .080/2.03 | 89590-001 | 2.300/58.42 | 1.325/33.66 |
| 86855-030LF | 2 X 15 | 1.700/43.18 | 1.400/35.56 | .080/2.03 | 89590-001 | 2.300/58.42 | 1.525/38.74 |
| 86855-034LF | 2 X 17 | 1.900/48.26 | 1.600/40.64 | .080/2.03 | 89590-002 | 4.650/118.11 | 1.725/43.82 |
| 86855-040LF | 2 X 20 | 2.200/55.88 | 1.900/48.26 | .080/2.03 | 89590-002 | 4.650/118.11 | 2.025/51.44 |
| 86855-044LF | 2 X 22 | 2.400/60.96 | 2.100/53.34 | .080/2.03 | 89590-002 | 4.650/118.11 | 2.225/56.52 |
| 86855-050LF | 2 X 25 | 2.700/68.58 | 2.400/60.96 | .080/2.03 | 89590-002 | 4.650/118.11 | 2.525/64.14 |
| 86855-060LF | 2 X 30 | 3.200/81.28 | 2.900/73.66 | .080/2.03 | 89590-002 | 4.650/118.11 | 3.025/76.84 |



RETENTION ROD SEE NOTE 3

| | | | | | | | | | | | |
|---------------------------|--------|----|------|---|--|-----------------------|--|----------------------------------|--|---|--|
| mat'l. code SEE NOTE 1 | | | | surface <input checked="" type="checkbox"/> | | tolerance | | projection | | product family PV HOUSINGS | |
| ltr | ecr no | dr | date | tolerances unless otherwise specified | | angles | | INCH/MM | | title | |
| H | | | | linear | | 0°±2' | | scale 2:1 | | MINI ROD HSG DR POLARIZED WITH LATCHING FEATURE | |
| | | | | A. RAISTRICK 1990-09-18 | | C. TREXLER 1990-09-18 | | C. TREXLER 1990-09-18 | | C. TREXLER 1990-09-18 | |
| sheet index | | | | revision sheet | | FCJ | | dwg no 85855 | | sheet 2 of 2 size A3 | |
| | | | | | | | | type Product Customer Drawing | | | |