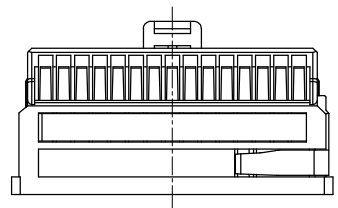
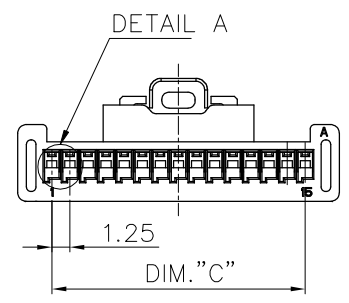
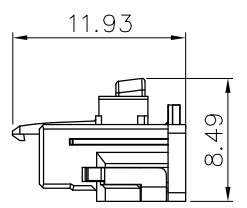
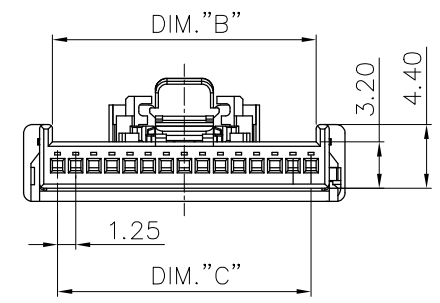


DETAIL A
SCALE 10:1



NOTE:

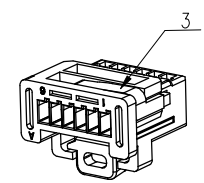
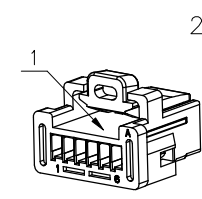
- MATERIAL:
HOUSING: 10157550-XXXXXLF.
HIGH TEMPERATURE THERMOPLASTIC UL94 V-0;
CPA: 10157553-XXXLF.
HIGH TEMPERATURE THERMOPLASTIC UL94 V-0;
TPA: 10157552-XXXXXLF.
HIGH TEMPERATURE THERMOPLASTIC UL94 V-0;
- PACKING: SEE GS-14-2615 .
- PART NUMBER:
10157554 - X XX X X LF

COLOR:
0=NATURAL

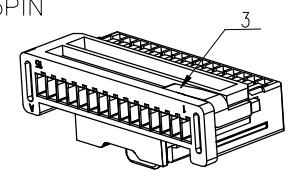
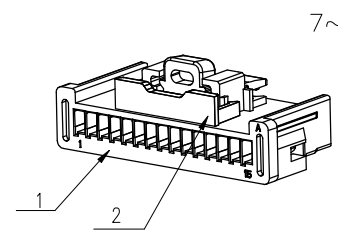
PITCH:
1=1.25mm

PIN NO.:
XX=2~15 PIN

- TYPE:
- 1=WITH TPA&CPA(7~15PIN)
 - 2=WITH TPA/WO CPA(2~15PIN)
 - 3=WITH CPA/WO TPA(7~15PIN)
 - 4=WO TPA & CPA



2~6PIN



7~15PIN

DIM.	10157550-OXXS1LF
A	20.00-(15-XX)1.25
B	18.20-(15-XX)1.25
C	17.50-(15-XX)1.25

ITEM	P/N	DES.	Q'ty
1	10157550-OXXS1LF	HOUSING	1
2	10157553-XP0LF	CPA	1
3	10157552-XXXS0LF	TPA	1

mat'l. code		surface	tolerance	projection	product family
A		ISO 1302	ISO 406	ISO 1101	HPL 542
B		tolerances unless otherwise specified	angles	mm	title
A			linear	mm	CABLE CONN. SEMI ASSEMBLY
B			0°±2'	scale N/A	Multipitch WTB
dr		Arthur Zhao	2020/07/23	Amphenol FCi	dwg no
eng		Arthur Zhao	2020/07/23		sheet 1 of 1
chr		Nick ZHANG	2020/07/23		size
app'd		Tim Yao	2020/07/23		A3
sheet index		revision sheet			type Product Customer Drawing

© 2016 AFCI