



VAL-U-LOK

TE Internal #: 794957-2

Pin Contact, Gold, 600 VAC, 26 - 22 AWG Wire Size, .13 - .33 mm<sup>2</sup>

Wire Size, Crimp, Brass, Power, -40 - 221 °F [-40 - 105 °C]

[View on TE.com >](#)

Connectors > Contacts > Connector Contacts



Contact Type: **Pin**

Contact Mating Area Plating Material: **Gold**

Wire Contact Termination Area Plating Material: **Pre-Tin**

Operating Voltage: **600 VAC**

Contact Retention Within Housing: **With**

**Features**

**Electrical Characteristics**

Operating Voltage	600 VAC
-------------------	---------

**Contact Features**

Mating Square Post Dimension	1.14 mm[.045 in]
Contact Fabrication	Stamped & Formed
Contact Underplating Material Thickness	1.27 µm[50 µin]
Wire Contact Termination Area Plating Thickness	2.54 µm[100 µin]
Wire Contact Termination Area Plating Material Finish	Bright
Contact Mating Area Plating Material Thickness	.76 µm[30 µin]
Contact Orientation	Straight
Contact Underplating Material	Nickel
Contact Type	Pin
Contact Mating Area Plating Material	Gold
Wire Contact Termination Area Plating Material	Pre-Tin
Contact Retention Within Housing	With
Contact Base Material	Brass



Contact Current Rating (Max)	9 A
------------------------------	-----

### Termination Features

Termination Method to Wire & Cable	Crimp
Product Terminates To	Wire & Cable

### Mechanical Attachment

Wire Insulation Support	Without
-------------------------	---------

### Dimensions

Compatible Insulation Diameter Range	1.19 - 1.75 mm [.047 - .069 in]
Wire Size	.13 - .33 mm <sup>2</sup>

### Usage Conditions

Operating Temperature Range	-40 - 105 °C [-40 - 221 °F]
-----------------------------	-----------------------------

### Operation/Application

Circuit Application	Power
---------------------	-------

### Industry Standards

Compatible With Agency/Standards Products	CSA, UL
---	---------

### Packaging Features

Packaging Quantity	5000
Packaging Method	Reel

### Product Compliance

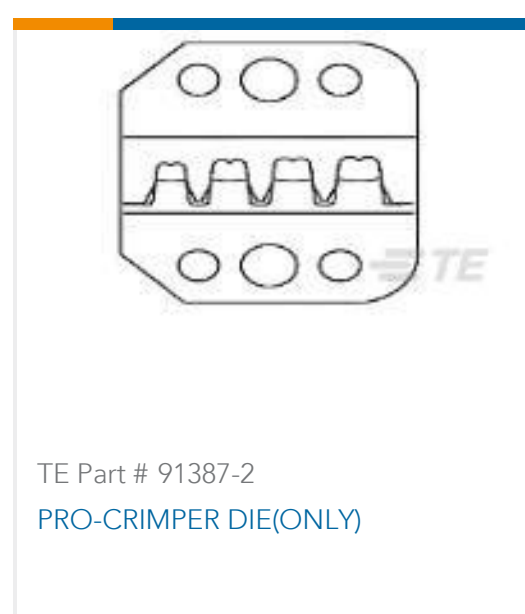
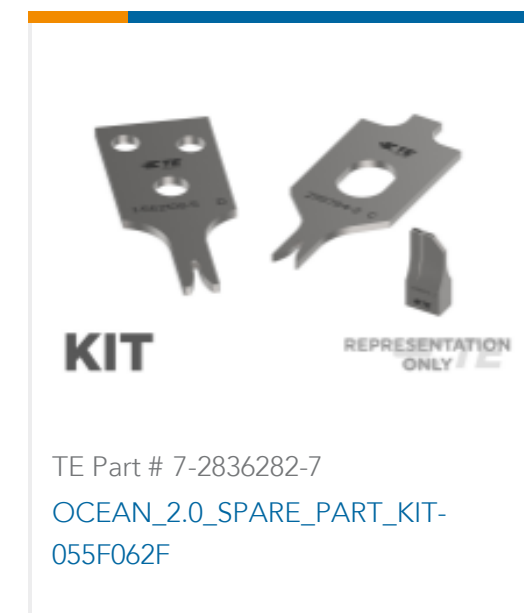
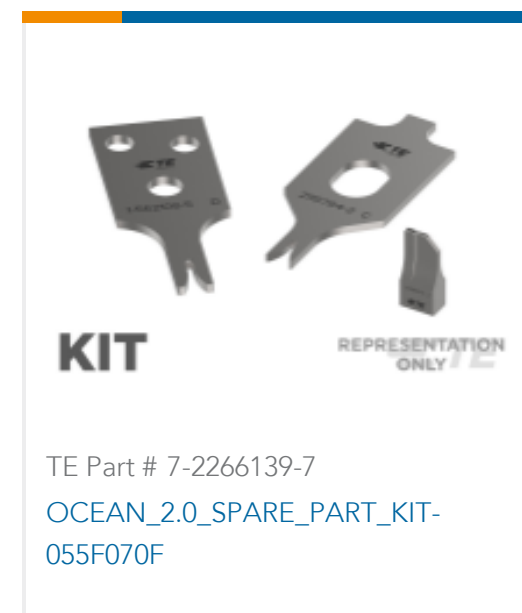
[For compliance documentation, visit the product page on TE.com>](#)

EU RoHS Directive 2011/65/EU	Compliant
EU ELV Directive 2000/53/EC	Compliant
China RoHS 2 Directive MIIT Order No 32, 2016	No Restricted Materials Above Threshold
EU REACH Regulation (EC) No. 1907/2006	Current ECHA Candidate List: JAN 2024 (240) Candidate List Declared Against: JAN 2024 (240) Does not contain REACH SVHC
Halogen Content	Low Halogen - Br, Cl, F, I < 900 ppm per homogenous material. Also BFR/CFR/PVC Free
Solder Process Capability	Not applicable for solder process capability

## Product Compliance Disclaimer

This information is provided based on reasonable inquiry of our suppliers and represents our current actual knowledge based on the information they provided. This information is subject to change. The part numbers that TE has identified as EU RoHS compliant have a maximum concentration of 0.1% by weight in homogenous materials for lead, hexavalent chromium, mercury, PBB, PBDE, DBP, BBP, DEHP, DIBP, and 0.01% for cadmium, or qualify for an exemption to these limits as defined in the Annexes of Directive 2011/65/EU (RoHS2). Finished electrical and electronic equipment products will be CE marked as required by Directive 2011/65/EU. Components may not be CE marked. Additionally, the part numbers that TE has identified as EU ELV compliant have a maximum concentration of 0.1% by weight in homogenous materials for lead, hexavalent chromium, and mercury, and 0.01% for cadmium, or qualify for an exemption to these limits as defined in the Annexes of Directive 2000/53/EC (ELV). Regarding the REACH Regulation, the information TE provides on SVHC in articles for this part number is based on the latest European Chemicals Agency (ECHA) 'Guidance on requirements for substances in articles' posted at this URL: <https://echa.europa.eu/guidance-documents/guidance-on-reach>

## Compatible Parts



## Customers Also Bought



TE Part # 206227-1  
23-7 RECEPT REV SEX



TE Part # 206429-1  
CPC PLUG ASSY, 11-4, REV SEX



TE Part # 1-66099-5  
Pin and Socket Contacts, Type III, LP



TE Part # 193846-1  
SKT ASSY.



TE Part # 5745563-3  
HD KIT, SCREWLOCK



TE Part # 794995-1  
MINI UMNL CAVITY PLUG SEAL



TE Part # 794953-2  
2P PM PLUG VAL-U-LOK V2



TE Part # 098-10125  
ML SENSOR 316SS STANDARD

## Documents

### Product Drawings

[VAL-U-LOK PIN BR AU 22-26AWG](#)

English

### CAD Files

Customer View Model

[ENG\\_CVM\\_CVM\\_794957-2\\_E.2d\\_dxf.zip](#)

English

3D PDF

3D

Customer View Model

[ENG\\_CVM\\_CVM\\_794957-2\\_E.3d\\_igs.zip](#)

English

Customer View Model

[ENG\\_CVM\\_CVM\\_794957-2\\_E.3d\\_stp.zip](#)

English

By downloading the CAD file I accept and agree to the [Terms and Conditions](#) of use.

### Datasheets & Catalog Pages

[SOFT\\_SHELL\\_PIN\\_AND\\_SOCKET\\_CONNECTORS\\_CATALOG](#)

English

### Product Specifications

[Application Specification](#)

English

794957-2

Pin Contact, Gold, 600 VAC, 26 - 22 AWG Wire Size, .13 - .33 mm<sup>2</sup> Wire Size, Crimp,  
Brass, Power, -40 - 221 °F [-40 - 105 °C]

