

53880-4 ✓ ACTIVE

AMP

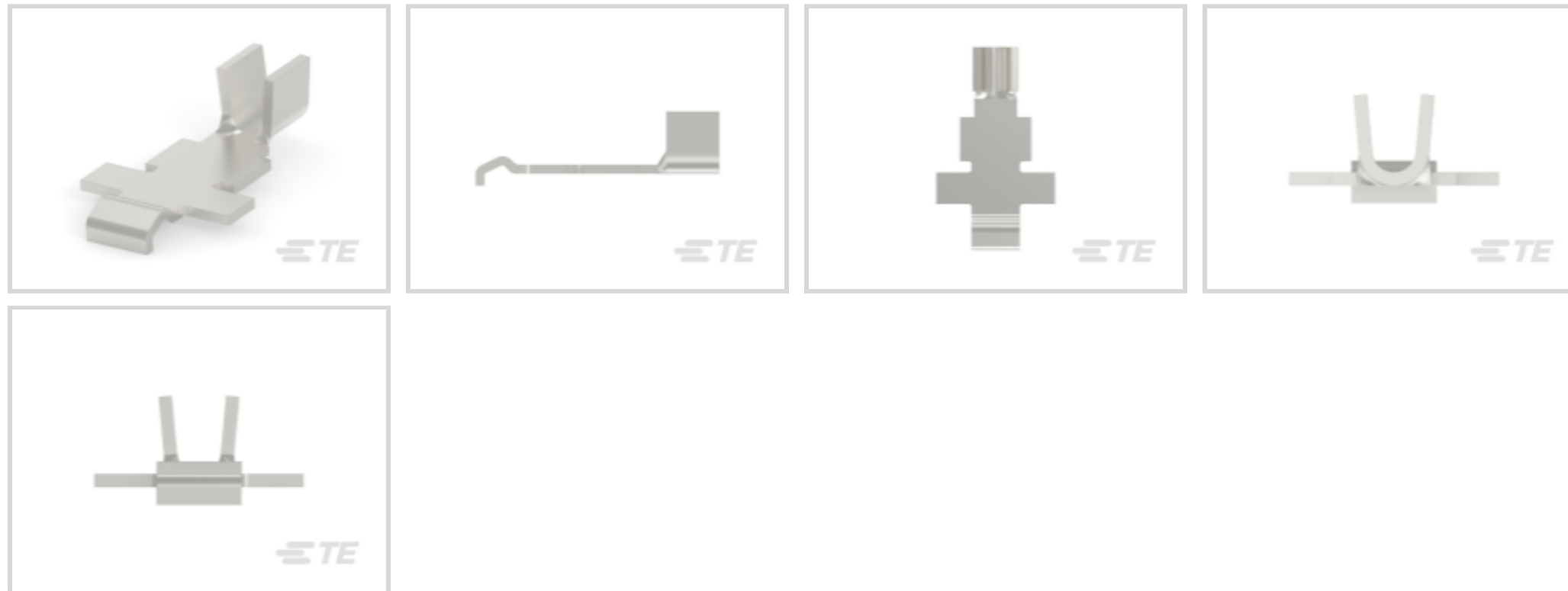
TE Internal #: 53880-4

Receptacle Contact, Silver, 600 VAC, 10 - 6 AWG Wire Size, 4.6 - 13 mm<sup>2</sup> Wire Size, 9072 - 26244 CMA Wire Size, Crimp, Copper, Power

[View on TE.com >](#)



Connectors > Contacts > Connector Contacts



Contact Type: **Receptacle**

Contact Mating Area Plating Material: **Silver**

Wire Contact Termination Area Plating Material: **Silver**

Operating Voltage: **600 VAC**

Contact Retention Within Housing: **With**

## Features

### Product Type Features

Discrete Wire Type	Solid, Stranded
Sealable	No

### Electrical Characteristics

Operating Voltage	600 VAC
-------------------	---------

### Contact Features

Mating Tab Width	7.62 mm[.3 in]
Mating Tab Thickness	1.2 mm[.047 in]
Wire Contact Termination Area Plating Thickness	5.08 µm[200 µin]
Wire Contact Termination Area Plating Material Finish	Semi-Bright
Contact Mating Area Plating Material Thickness	5.08 µm[5.08 µin]
Contact Mating Area Plating Material Finish	Semi-Bright
Contact Orientation	Straight
Contact Type	Receptacle
Contact Mating Area Plating Material	Silver



Wire Contact Termination Area Plating Material	Silver
--	--------

Contact Retention Within Housing	With
----------------------------------	------

Contact Base Material	Copper
-----------------------	--------

Contact Current Rating (Max)	53 A
------------------------------	------

### Termination Features

Termination Method to Wire & Cable	Crimp
------------------------------------	-------

Product Terminates To	Wire & Cable
-----------------------	--------------

### Mechanical Attachment

Wire Insulation Support	Without
-------------------------	---------

### Dimensions

Wire Size	9072 - 26244 CMA
-----------	------------------

### Usage Conditions

Operating Temperature Range	-55 - 85 °C[-67 - 185 °F]
-----------------------------	---------------------------

### Operation/Application

Circuit Application	Power
---------------------	-------

### Industry Standards

Compatible With Agency/Standards Products	CSA, UL
---	---------

### Packaging Features

Packaging Method	Loose Piece
------------------	-------------

## Product Compliance

[For compliance documentation, visit the product page on TE.com>](#)

EU RoHS Directive 2011/65/EU	Compliant
------------------------------	-----------

EU ELV Directive 2000/53/EC	Compliant
-----------------------------	-----------

China RoHS 2 Directive MIIT Order No 32, 2016	No Restricted Materials Above Threshold
---	---

EU REACH Regulation (EC) No. 1907/2006	Current ECHA Candidate List: JAN 2024 (240) Candidate List Declared Against: JAN 2024 (240) Does not contain REACH SVHC
--	---

Halogen Content	Low Halogen - Br, Cl, F, I < 900 ppm per homogenous material. Also BFR/CFR/PVC Free
-----------------	---

Solder Process Capability	Not applicable for solder process capability
---------------------------	--

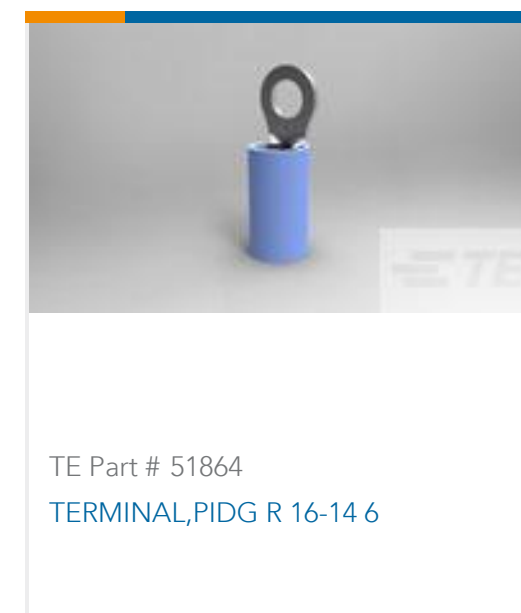
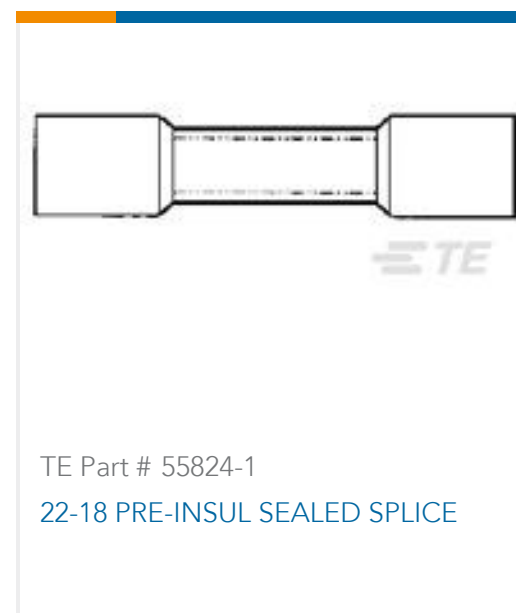
#### Product Compliance Disclaimer

This information is provided based on reasonable inquiry of our suppliers and represents our current actual knowledge based on the information they provided. This information is subject to change. The part numbers that TE has identified as EU RoHS compliant have a maximum concentration of 0.1% by weight in homogenous materials for lead, hexavalent chromium, mercury, PBB, PBDE, DBP, BBP, DEHP, DIBP, and 0.01% for cadmium, or qualify for an exemption to these limits as defined in the Annexes of Directive 2011/65/EU (RoHS2). Finished electrical and electronic equipment products will be CE marked as required by Directive 2011/65/EU. Components may not be CE marked. Additionally, the part numbers that TE has identified as EU ELV compliant have a maximum concentration of 0.1% by weight in homogenous materials for lead, hexavalent chromium, and mercury, and 0.01% for cadmium, or qualify for an exemption to these limits as defined in the Annexes of Directive 2000/53/EC (ELV). Regarding the REACH Regulation, the information TE provides on SVHC in articles for this part number is based on the latest European Chemicals Agency (ECHA) 'Guidance on requirements for substances in articles' posted at this URL: <https://echa.europa.eu/guidance-documents/guidance-on-reach>

## Compatible Parts



## Customers Also Bought



## Documents

### Product Drawings

CONTACT,PWR LK,SRS2,LS PC,CRMP

English



### CAD Files

#### 3D PDF

3D

#### Customer View Model

[ENG\\_CVM\\_CVM\\_53880-4\\_AK.2d\\_dxf.zip](#)

English

#### Customer View Model

[ENG\\_CVM\\_CVM\\_53880-4\\_AK.3d\\_igs.zip](#)

English

#### Customer View Model

[ENG\\_CVM\\_CVM\\_53880-4\\_AK.3d\\_stp.zip](#)

English

#### Customer View Model

[ENG\\_CVM\\_53880-4\\_M.3d\\_igs.zip](#)

English

#### Customer View Model

[ENG\\_CVM\\_53880-4\\_M.3d\\_stp.zip](#)

English

#### Customer View Model

[ENG\\_CVM\\_53880-4\\_M.2d\\_dxf.zip](#)

English

#### 3D PDF

English

By downloading the CAD file I accept and agree to the [Terms and Conditions](#) of use.

### Product Specifications

#### Application Specification

English

#### Application Specification

Japanese

#### Power-Lock 75 Series Contacts

Japanese

### Instruction Sheets

#### Instruction Sheet (U.S.)

English

#### Power Lock Connectors (Series II) (Accept Contacts 53880 and 54330)

English

#### Instruction Sheet (U.S.)

English