

THIS DRAWING IS UNPUBLISHED.

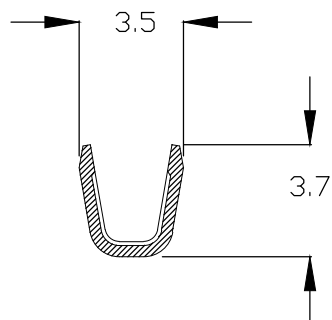
RELEASED FOR PUBLICATION

REVISIONS

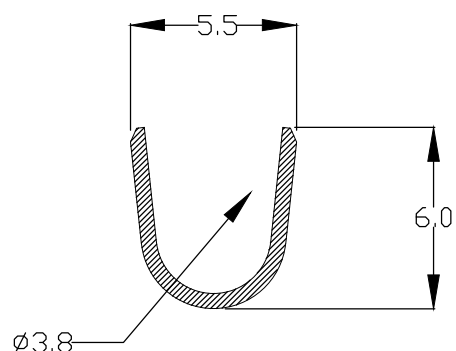
© COPYRIGHT - TE Connectivity Ltd.

ALL RIGHTS RESERVED.

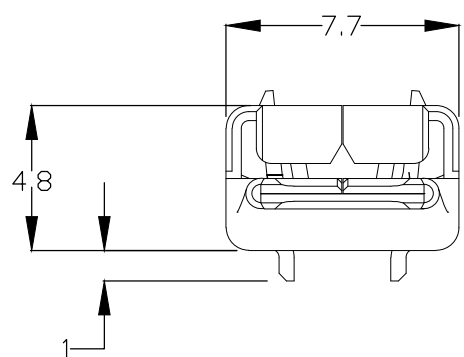
P	LTR	DESCRIPTION	DATE	DWN	APVD
	B	REVISED PER ECR-19-014502	17SEP2019	T.S	E.I



SECTION A-A

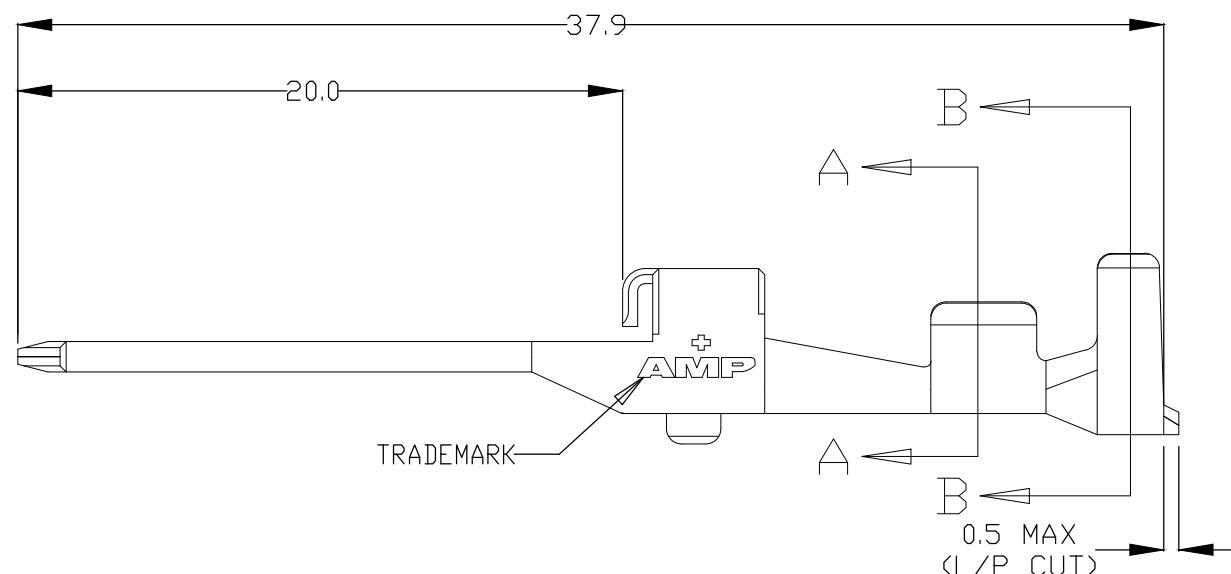
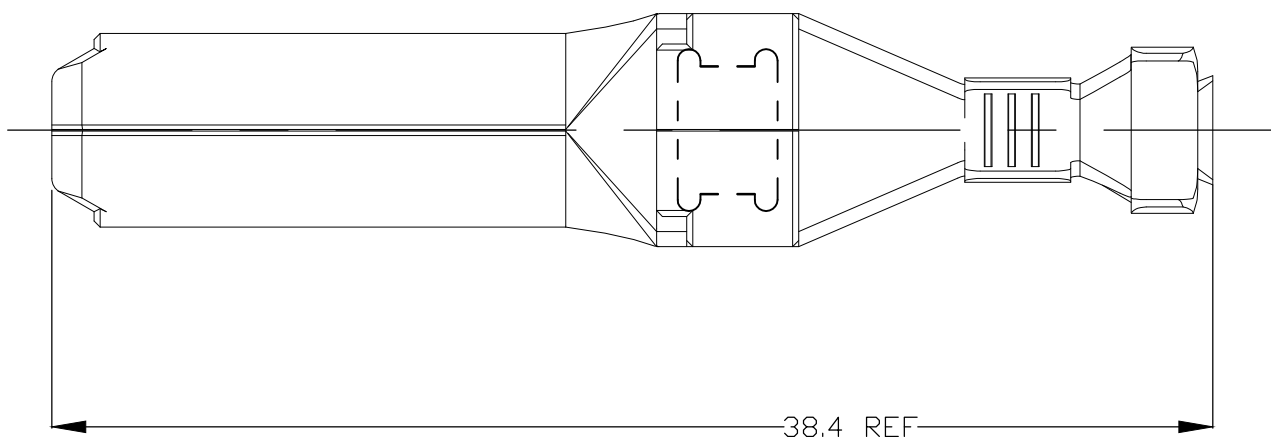
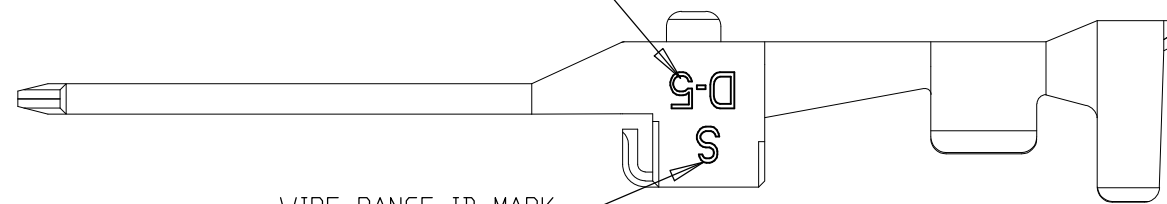


SECTION B-B



CONTACT ID MARK

WIRE RANGE ID MARK



TRADEMARK

0.5 MAX (L/P CUT)

	2013594-1
FINISH	PART NO.

WIRE RANGE	INSULATION DIA
1.23/2.27mm ² AWG #16/#14	3/3.8mm ϕ

NOTES:

FINISH : 0.2 μ m MIN GOLD PLATING (CONTACT AREA) OVER Ni UNDER PLATING ALL OVER EXCEPT INSIDE OF CONTACT BOX
GOLD PLATING THK DID NOT CONTROL AT CONTACT TIP AREA

2. TOLERANCE UNLESS OTHERWISE SPECIFIED

* ≤ 10 : ± 0.3
 10 < * ≤ 30 : ± 0.35
 30 < * ≤ 100 : ± 0.4
 ANGLE: $\pm 3^\circ$

THIS DRAWING IS A CONTROLLED DOCUMENT.		DWN	30AUG2007	TE Connectivity	
		Y.YAMADA			
DIMENSIONS: 単位: 耗 mm		CHK	30AUG2007	NAME 名称 TAB CONTACT "S" SIZE L/P DYNAMIC D-5000 SERIES	
		D.MITSUGI			
TOLERANCES UNLESS OTHERWISE SPECIFIED: 一般公差		APVD	30AUG2007	DRAWING NO 番号 C-2013594	
		D.MITSUGI			
0 PLC $\pm -$		PRODUCT SPEC 製品規格		RESTRICTED TO —	
1 PLC $\pm -$		APPLICATION SPEC 取付適用規格			
2 PLC $\pm -$		114-5206		SIZE	A3
3 PLC $\pm -$		WEIGHT		CAGE CODE	00779
4 PLC $\pm -$		1.93		DRAWING NO	C-2013594
ANGLES $\pm -$		CUSTOMER DRAWING		SCALE	—
FINISH 仕上		SEE TABLE		SHEET	1 OF 1
MATERIAL 材料 COPPER ALLOY				REV	B