

1871131-2 ✓ ACTIVE

[Dynamic Series](#) | [Dynamic 7000 Series](#)

TE Internal #: 1871131-2

Pin Contact, Silver, 8 AWG Wire Size, 6.7 - 10.5 mm² Wire Size, Power, -67 - 221 °F [-55 - 105 °C], Dynamic 7000 Series

[View on TE.com >](#)



[Connectors](#) > [Contacts](#) > [Connector Contacts](#) > [Contact: Component To Wire; 55-60A, 16-6 Wire Size](#)



Contact Type: **Pin**

Contact Mating Area Plating Material: **Silver**

Wire Size: **6.7 - 10.5 mm²**

Product Terminates To: **Wire & Cable**

All Contact: Component To Wire; 55-60A, 16-6 Wire Size (10)

Features

Contact Features

Mating Pin Diameter	6.28 mm[.25 in]
Contact Type	Pin
Contact Mating Area Plating Material	Silver
Contact Current Rating (Max)	65 A

Termination Features

Product Terminates To	Wire & Cable
-----------------------	--------------

Dimensions

Wire Size	6.7 - 10.5 mm ²
-----------	----------------------------

Usage Conditions

Operating Temperature Range	-55 - 105 °C[-67 - 221 °F]
-----------------------------	----------------------------

Operation/Application

Circuit Application	Power
---------------------	-------

Packaging Features

Packaging Method	Box & Tray
------------------	------------

Product Compliance

[For compliance documentation, visit the product page on TE.com>](#)

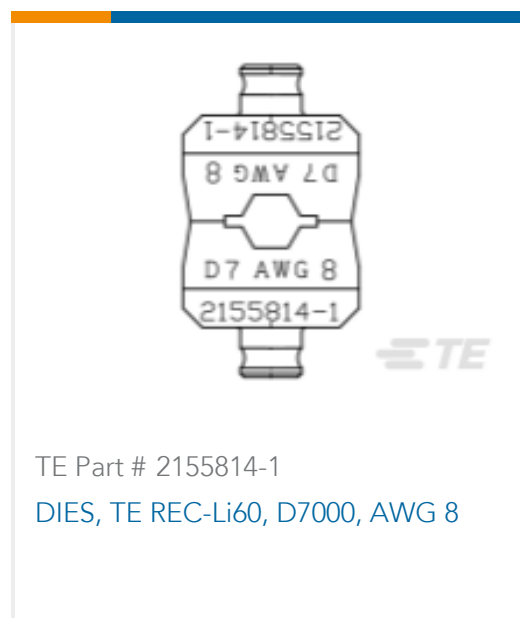


EU RoHS Directive 2011/65/EU	Compliant
EU ELV Directive 2000/53/EC	Compliant
China RoHS 2 Directive MIIT Order No 32, 2016	No Restricted Materials Above Threshold
EU REACH Regulation (EC) No. 1907/2006	Current ECHA Candidate List: JAN 2024 (240) Candidate List Declared Against: JAN 2024 (240) Does not contain REACH SVHC
Halogen Content	Low Halogen - Br, Cl, F, I < 900 ppm per homogenous material. Also BFR/CFR/PVC Free
Solder Process Capability	Not applicable for solder process capability

Product Compliance Disclaimer

This information is provided based on reasonable inquiry of our suppliers and represents our current actual knowledge based on the information they provided. This information is subject to change. The part numbers that TE has identified as EU RoHS compliant have a maximum concentration of 0.1% by weight in homogenous materials for lead, hexavalent chromium, mercury, PBB, PBDE, DBP, BBP, DEHP, DIBP, and 0.01% for cadmium, or qualify for an exemption to these limits as defined in the Annexes of Directive 2011/65/EU (RoHS2). Finished electrical and electronic equipment products will be CE marked as required by Directive 2011/65/EU. Components may not be CE marked. Additionally, the part numbers that TE has identified as EU ELV compliant have a maximum concentration of 0.1% by weight in homogenous materials for lead, hexavalent chromium, and mercury, and 0.01% for cadmium, or qualify for an exemption to these limits as defined in the Annexes of Directive 2000/53/EC (ELV). Regarding the REACH Regulation, the information TE provides on SVHC in articles for this part number is based on the latest European Chemicals Agency (ECHA) 'Guidance on requirements for substances in articles' posted at this URL: <https://echa.europa.eu/guidance-documents/guidance-on-reach>

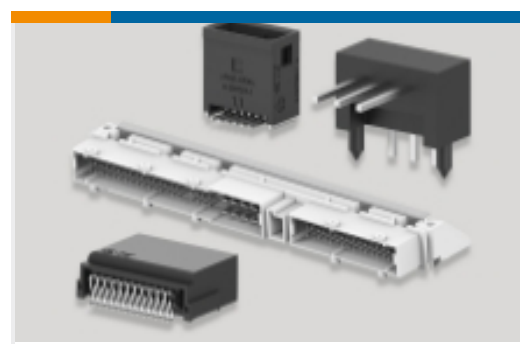
Compatible Parts



Also in the Series | [Dynamic 7000 Series](#)



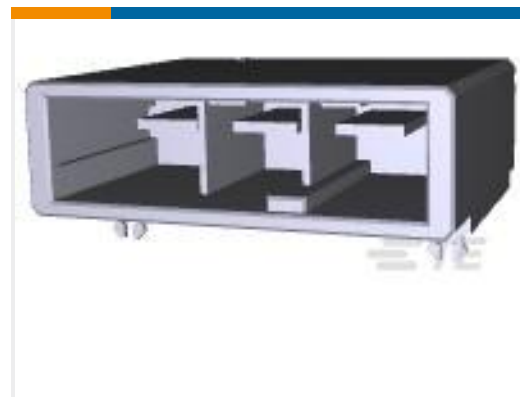
Connector Contacts(10)



PCB Headers & Receptacles(1)

Wire-to-Board Connector Assemblies
& Housings(8)

Customers Also Bought

TE Part # 178308-3
Header Assembly: Wire-to-Board, 15A,
gold or tin platedTE Part # 1-353081-2
DYNAMIC D-5200 HDR H ASSY 3PTE Part # 1-353047-3
DYNAMIC D-5200S TAB HSG 3P K/XTE Part # 1318125-1
DYNAMIC 2000 HDR ASSYTE Part # 1565994-4
RITS HDR ASSY R/A SMT TYPE 4P
WITH BOSSTE Part # 2134055-1
DYNAMIC D7100 SOCKET HSG ASSY
4P XX

Documents

Product Drawings

[DYNAMIC D7 PIN CONTACT NML AG PL #08](#)

Japanese

CAD Files

[3D PDF](#)

3D

Customer View Model

[ENG_CVM_CVM_1871131-2_B_c-1871131-2-b.2d_dxf.zip](#)

English

Customer View Model

[ENG_CVM_CVM_1871131-2_B_c-1871131-2-b.3d_igs.zip](#)

English

Customer View Model

[ENG_CVM_CVM_1871131-2_B_c-1871131-2-b.3d_stp.zip](#)

English

By downloading the CAD file I accept and agree to the [Terms and Conditions](#) of use.



Datasheets & Catalog Pages

[1-1773721-5_DYNAMIC_SERIES_ORG](#)

English

Product Specifications

[Application Specification](#)

Japanese

Agency Approvals

[TUV Certificate](#)

English