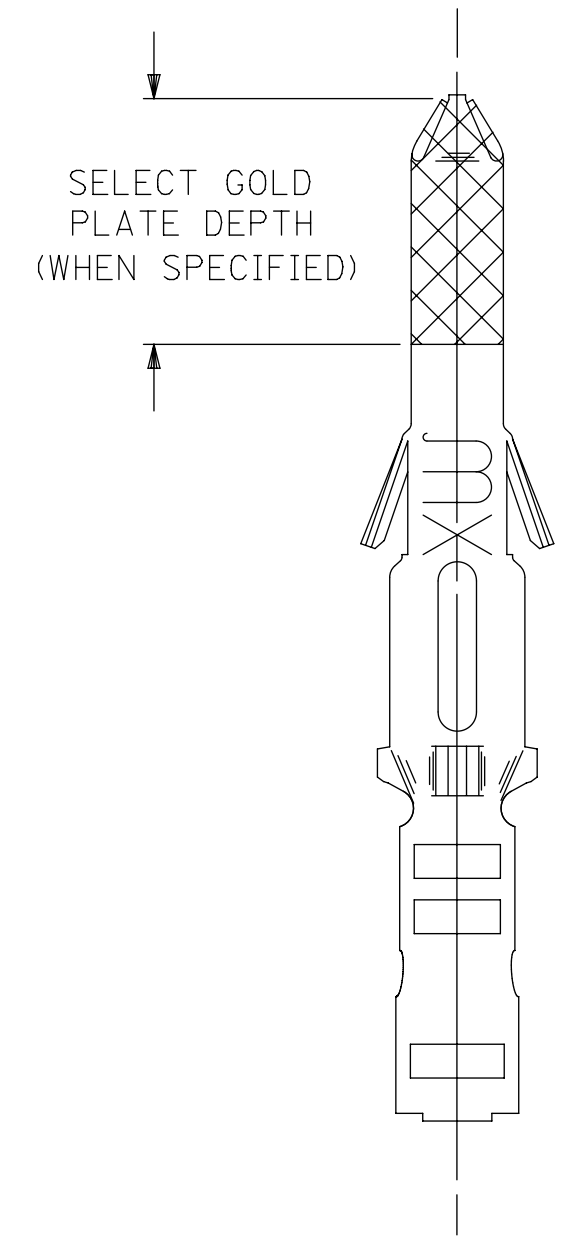
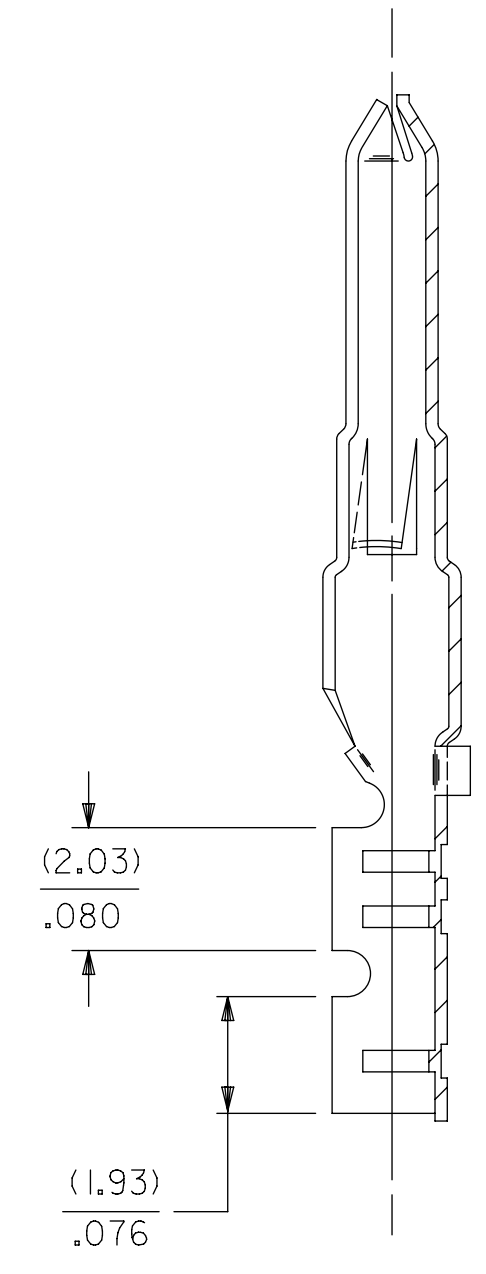
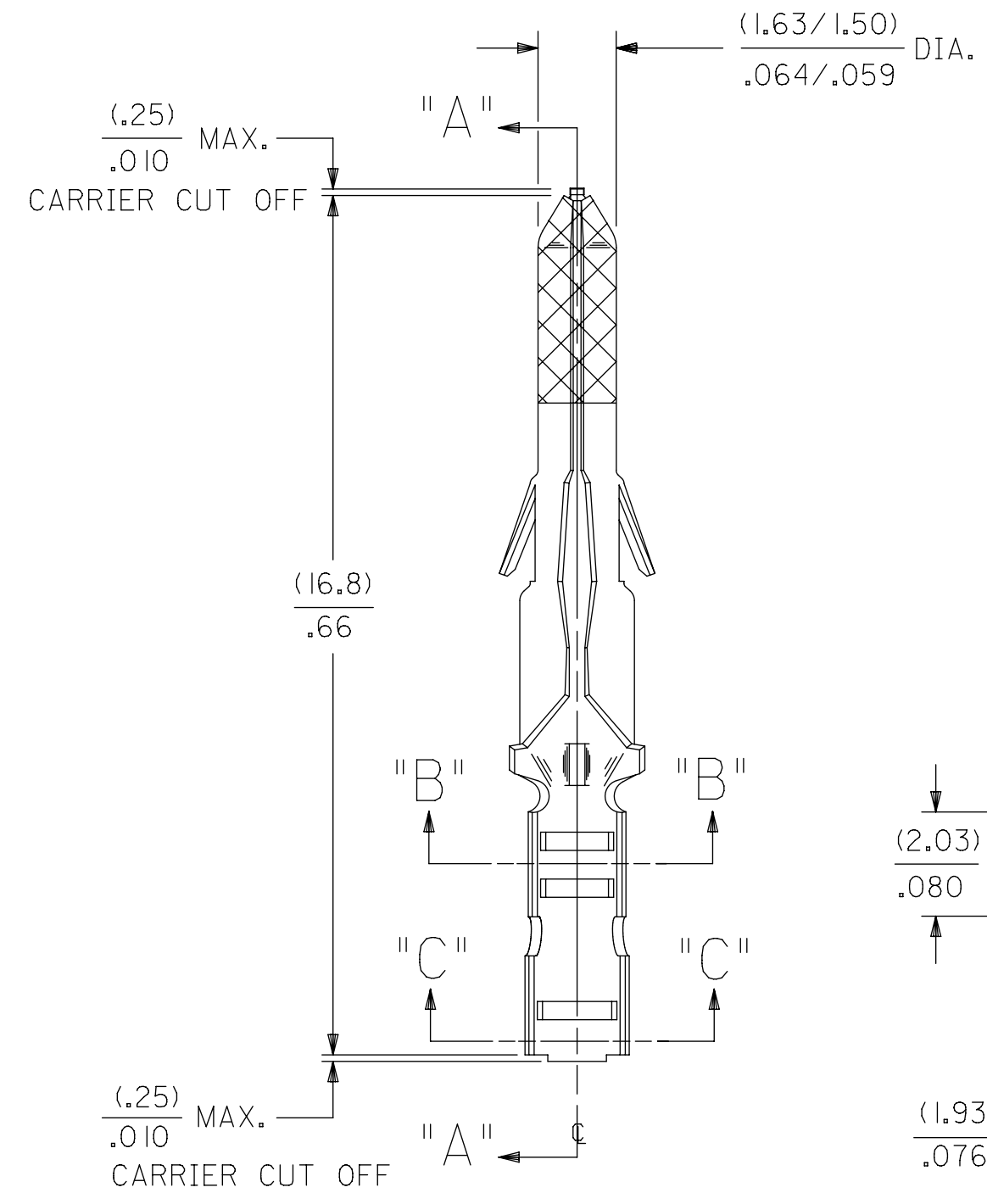
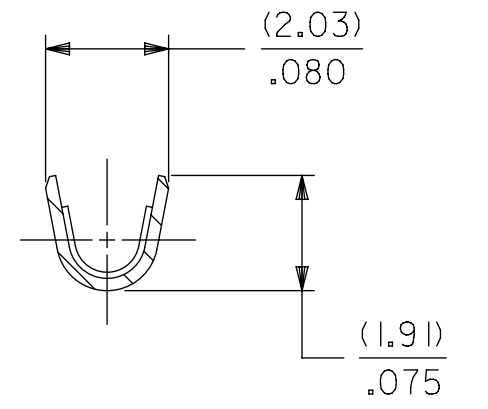
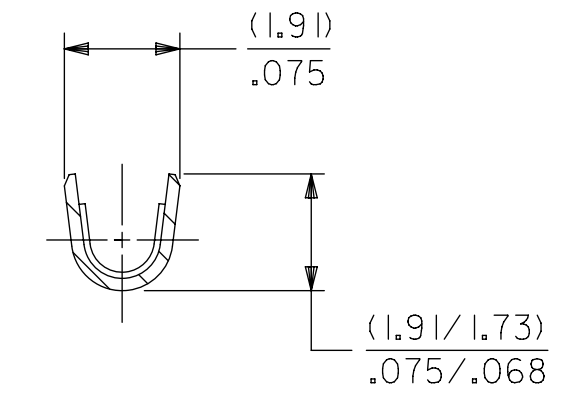
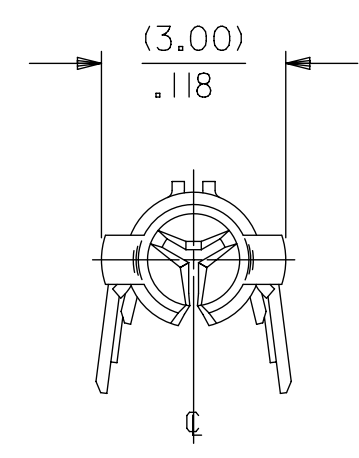
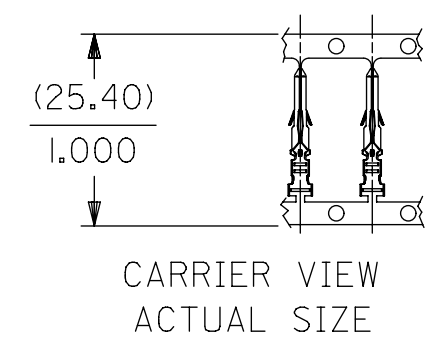


PART NO.	ENG. NO.
02-06-2131	1854-(90 I)
02-06-2132	1854-(90 I)L
02-06-6130	1854-(550)
02-06-6135	1854-(550)L



LEGEND

1854-(****)*
 P=PREPLATE FORM
 BLANK=POSTPLATE BLANK=CHAIN
 FINISH CODE L=LOOSE

NOTES:

- MATERIAL: BRASS
- FINISHES:
 - 901 HOT TIN DIP (.00051)/.000020 MIN.
 - 228 SELECT GOLD PLATE (.00075)/.000030 MIN. IN CONTACT AREA, SELECT TIN (.00250)/.000100 MIN. IN CRIMP AREA OVER (.00125)/.000050 MIN. NICKEL OVERALL
 - 561 SELECT GOLD PLATE (.00076)/.000030 MIN. IN CONTACT AREA, (.00127)/.000050 MIN. NICKEL OVERALL.
 - 550 SELECT GOLD PLATE (.00038)/.000015 MIN. IN CONTACT AREA, OVER (.00076)/.000030 MIN. NICKEL OVERALL WITH (.00025)/.000010 MAX. GOLD FLASH OVERALL.
- PRODUCT SPECIFICATION: PS-02-06
- PACKAGE INFORMATION:
 - LOOSE TERMINALS: PK-1190-003
 - CHAIN TERMINALS: 18540000-PK
- TERMINAL FOR USE WITH (1.57)/.062 DIA. SERIES HOUSINGS AND WILL ACCEPT 24 THRU 30 AWG WIRE WITH (1.02/2.29)/.040/.090 INSULATION DIAMETER.

THIS DRAWING CONTAINS INFORMATION THAT IS PROPRIETARY TO MOLEX ELECTRONIC TECHNOLOGIES, LLC AND SHOULD NOT BE USED WITHOUT WRITTEN PERMISSION									
DIMENSION UNITS MM/IN		SCALE 8:1		CURRENT REV DESC: OBSOLETE PART NUMBER AS PER PCN#509988				molex	
GENERAL TOLERANCES (UNLESS SPECIFIED)				EC NO: 704776		2022/03/28			
4 PLACES ±		±		DRWN: SUGEEB		2022/05/24		CRIMP TERMINAL, MALE .062 DIA. FOR 24-30 AWG WIRE	
3 PLACES ±		± 0.01		CHK'D: GGA		2022/05/24		PRODUCT CUSTOMER DRAWING	
2 PLACES ±		0.25 ± 0.014		APPR: GGA		2022/05/24		DOCUMENT NUMBER	
1 PLACE ±		0.35 ±		INITIAL REVISION:		2018/12/01		SD-1854-X	
0 PLACES ±		±		DRWN: RFC_PLMIMP		2001/10/22		DOC TYPE DOC PART REVISION	
ANGULAR TOL ± 0.5°		THIRD ANGLE PROJECTION		APPR: JCOMERCI		2001/10/22		PSD 001 AR2	
DRAFT WHERE APPLICABLE MUST REMAIN WITHIN DIMENSIONS		DRAWING		SERIES		MATERIAL NUMBER		CUSTOMER	
		C-SIZE		1854		SEE TABLE		GENERAL MARKET	
								SHEET NUMBER	
								1 OF 1	

DOCUMENT STATUS	P1	RELEASE DATE	2022/05/24	10:34:35
-----------------	----	--------------	------------	----------