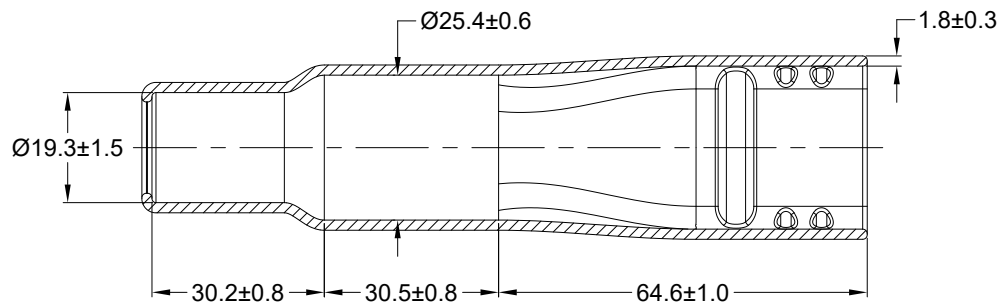
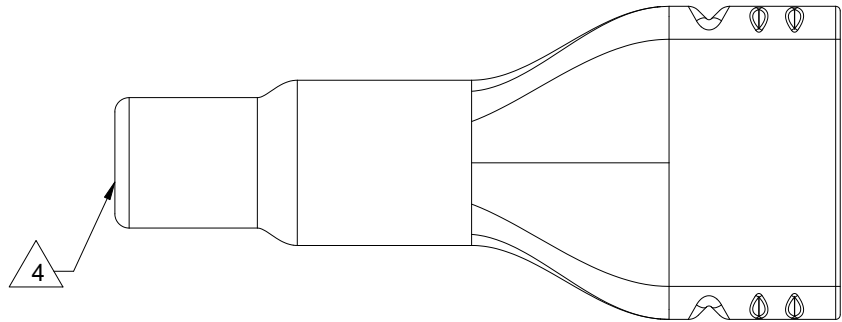
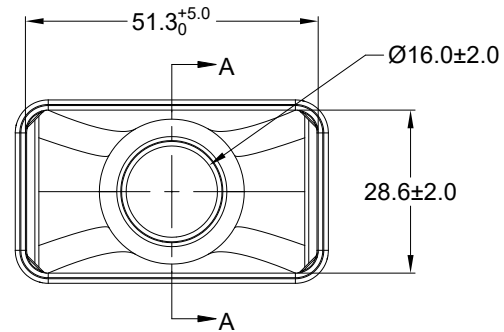


REVISIONS					
REV	ECO	DESCRIPTION	DATE	BY	APPR
A1		RELEASE NEW DRAWING	05APR21	SULLEN	TOMMY



SECTION A-A



NOTES: UNLESS OTHERWISE SPECIFIED

- THIS PART IS USED ON ARC12-24PX(R) RECEPTACLE AND ARC16-24SX(R)-XXXX PLUG WHERE X = A,B,C,D KEYS AND XXXX = MODIFICATION.
- TEMPERATURE RATING : -29°C TO +100°C [-20°F TO +212°F]
- BOTTOM OF PART MOLDED OPEN.
- SMALL MATERIAL EXTENSION IS ACCEPTABLE ON THIS END ALL AROUND
- ALL DIMENSIONS ARE FOR REFERENCE USE ONLY.

ARC24-BT		REF DRC24-BT									
PART NUMBER		DESCRIPTION			ITEM						
QUANTITY	MATERIALS LIST										
UNLESS OTHERWISE SPECIFIED 1) All dimensions are in metric(mm). 2) Tolerances are as follows: 1 PL DEC ±0.30 2 PL DEC ±0.15 3 PL DEC ±0.08 Fractions ±1/64 Angles ±1° 3) Note reference =		SIGNATURES DRAWN: SULLEN.ZHANG CHECKED: ORION.LI ENGINEER: APPROVAL: TOMMY.XIE CUSTOMER:		DATE 05APR21 06APR21 07APR21							
MATERIAL SPECIFICATIONS:		<div style="text-align: center;"> <h1>Amphenol</h1> <p>Sine Systems - www.amphenol-sine.com 44724 Morley Drive Clinton Township, MI 48036</p> <p>BOOT,24PIN,ARC SERIES</p> </div>									
PROCESS SPECIFICATIONS:											
NEXT ASSY:											
		THIS DRAWING IS SUPPLIED FOR INFORMATION ONLY. DESIGN FEATURES, SPECIFICATIONS AND PERFORMANCE DATA SHOWN HEREON ARE THE PROPERTY OF THE AMPHENOL CORPORATION. NO RIGHTS OF REPRODUCTION ARE IMPLIED. ALL DIMENSIONS ARE SUBJECT TO NORMAL MANUFACTURING VARIATIONS.	<table border="1"> <tr> <td>SIZE</td> <td>TYPE</td> <td>DWG NO:</td> <td>REVISION</td> </tr> <tr> <td>A</td> <td>C-</td> <td>ARC24-BT</td> <td>A1</td> </tr> </table>	SIZE	TYPE	DWG NO:	REVISION	A	C-	ARC24-BT	A1
SIZE	TYPE	DWG NO:	REVISION								
A	C-	ARC24-BT	A1								
		SCALE: NONE	SHEET 1 OF 1								