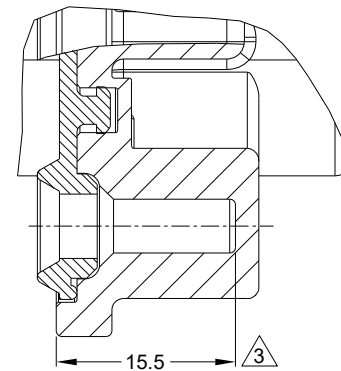
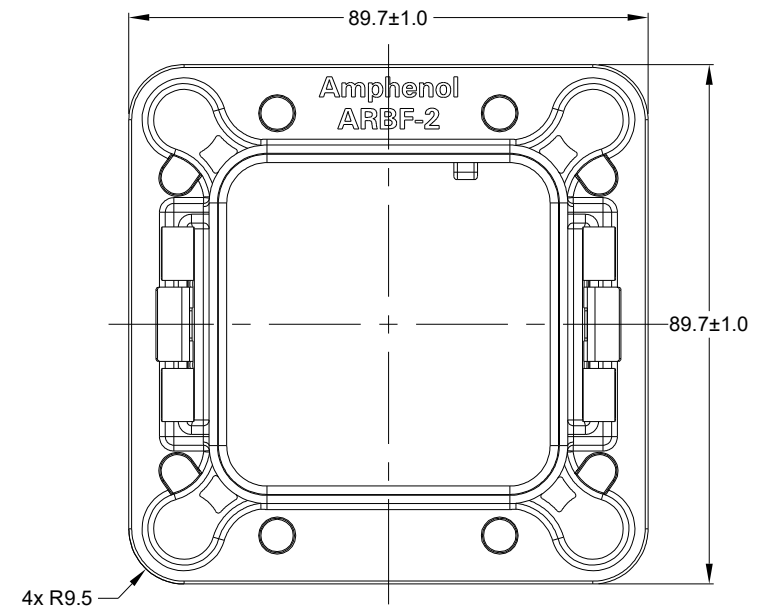
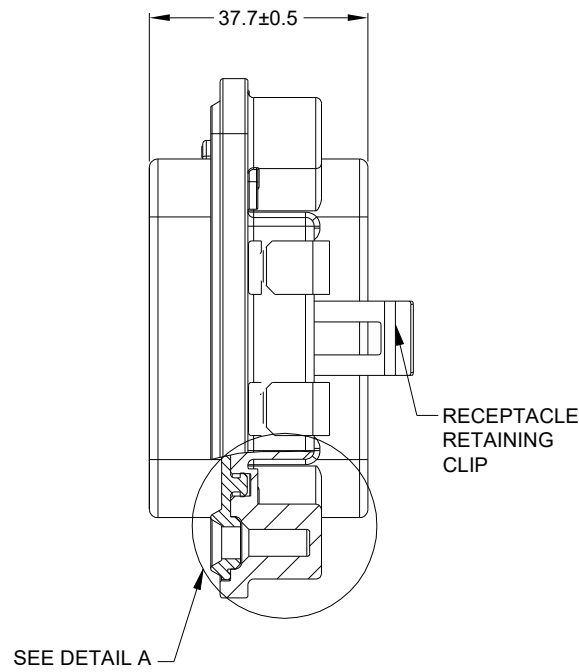
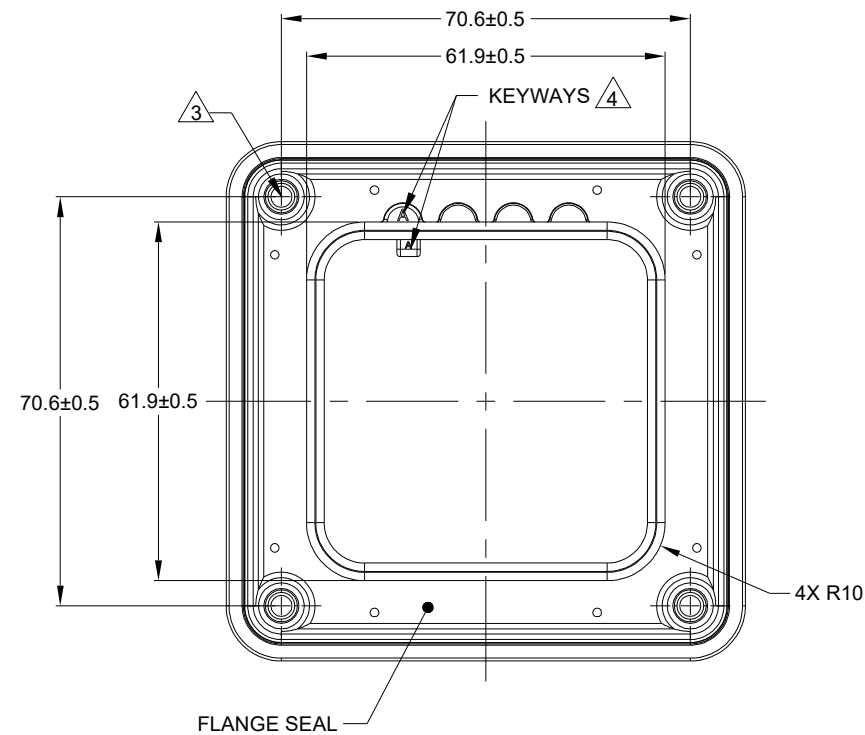
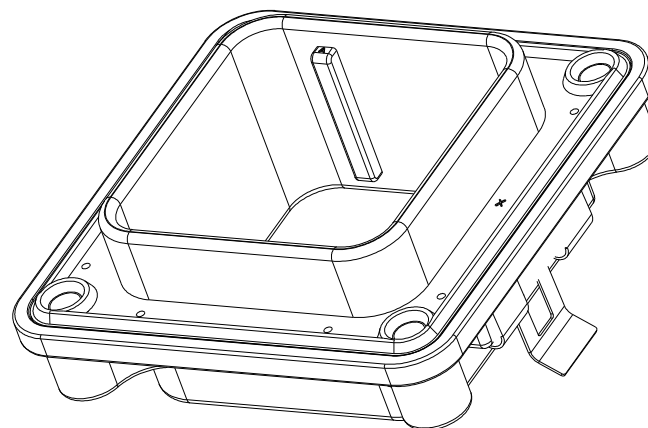


REVISIONS					
REV	ECO	DESCRIPTION	DATE	BY	APPR
A1	-	RELEASE NEW DRAWING	09/MAR/23	IAN	TOMMY



DETAIL A
SCALE 2:1



NOTES: UNLESS OTHERWISE SPECIFIED

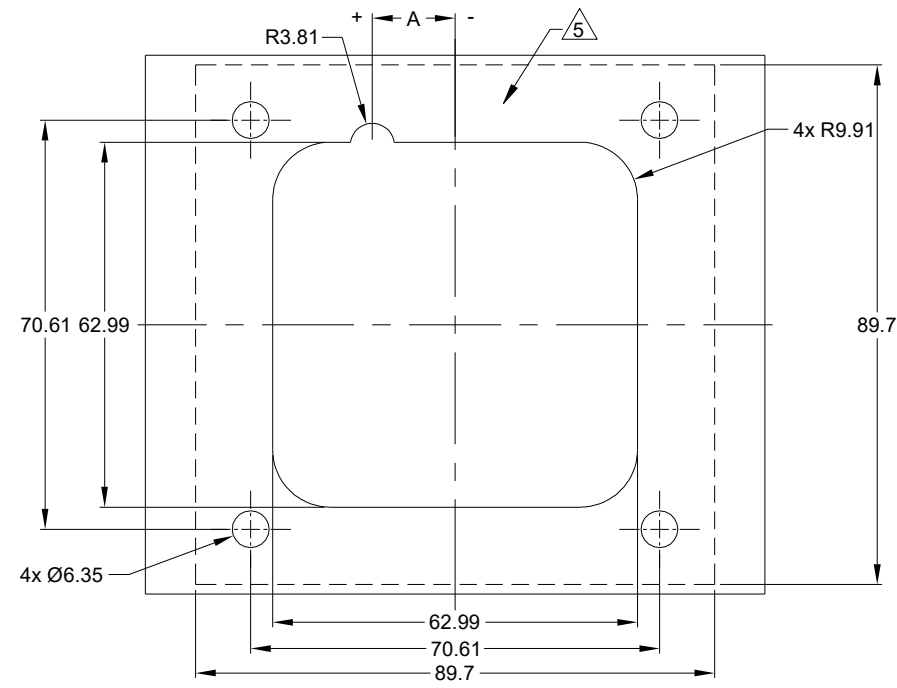
- MATERIAL:
FLANGE: THERMOPLASTIC ; COLOR: BLACK .
FLANGE SEAL: SILICONE RUBBER ; COLOR: RED
RECEPTACLE RETAINING CLIP: STAINLESS STEEL
- MATING PART: ARB12-48PxR-XXXX RECEPTACLE AND
ARB16-48SxR-XXXX PLUG
(x = A,B,C,D KEYS; XXXX = MODIFICATIONS AND COLORS) .
- RECOMMENDED SCREW: 10-14 (M5.28 x 1.81) OR ST5.5 SINGLE HELIX THREAD.
SCREW LENGTH DEFINED BY CUSTOMER.
RECOMMENDED TORQUE: 20 +5/-0 IN-LB (2.26+0.6/-0 NM) .
- SEE SHEET 2 FOR OTHER KEY ARRANGEMENTS.
- SURFACE FINISH: 32 RMS (0.80 μm) OR BETTER.
- RoHS COMPLIANT.
- ALL DIMENSIONS ARE FOR REFERENCE USE ONLY.

QUANTITY	SEE SHEET 2 PART NUMBER	DESCRIPTION	ITEM
MATERIALS LIST			
UNLESS OTHERWISE SPECIFIED 1) All dimensions are in metric(mm). 2) Tolerances are as follows: 1 PL DEC ±0.30 2 PL DEC ±0.15 3 PL DEC ±0.08 3) Note reference = X		SIGNATURES DRAWN: IAN.XIAO CHECKED: SULLEN.ZHANG ENGINEER: APPROVAL: TOMMY.XIE	DATE 09/MAR/23 09/MAR/23 11/MAR/23
MATERIAL SPECIFICATIONS: WEIGHT: 88.9g		<p style="text-align: center;">Amphenol</p> <p style="text-align: center;">Sine Systems - www.amphenol-sine.com 44724 Morley Drive Clinton Township, MI 48036</p> <p style="text-align: center;">INTERFACE FLANGE, FOR ARB 40/60P SERIES, BLACK</p>	
PROCESS SPECIFICATIONS:	THIS DRAWING IS SUPPLIED FOR INFORMATION ONLY. DESIGN FEATURES, SPECIFICATIONS AND PERFORMANCE DATA SHOWN HEREON ARE THE PROPERTY OF THE AMPHENOL CORPORATION. NO RIGHTS OF REPRODUCTION ARE IMPLIED. ALL DIMENSIONS ARE SUBJECT TO NORMAL MANUFACTURING VARIATIONS.		REVISION A1
NEXT ASSY:	SIZE B C-	DWG NO: ARB-2x	SCALE: NONE SHEET 1 OF 2

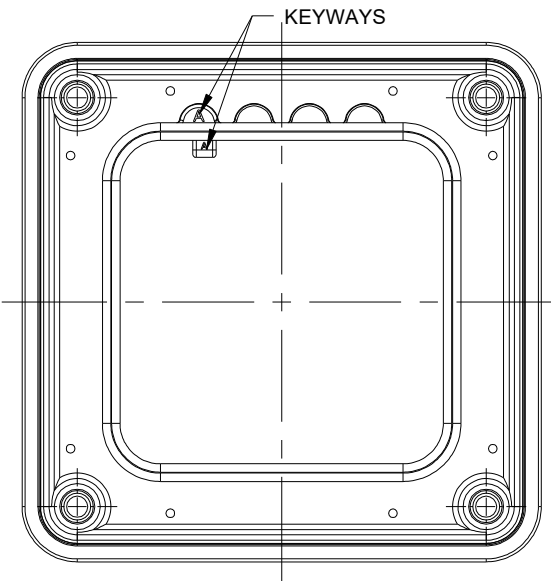
TITLE: INTERFACE FLANGE FOR ARB 40/60P SERIES, BLACK
DWG NO: ARBF-2x
REV: A1
SH: 1
OF: 2

RECOMMENDED
PANEL CUTOUT
THICKNESS 3.20 MAX(CUTOUT FOR
ARBF-2A SHOWN AS EXAMPLE)
PANEL CUT OUT TOLERANCE +/-0.25

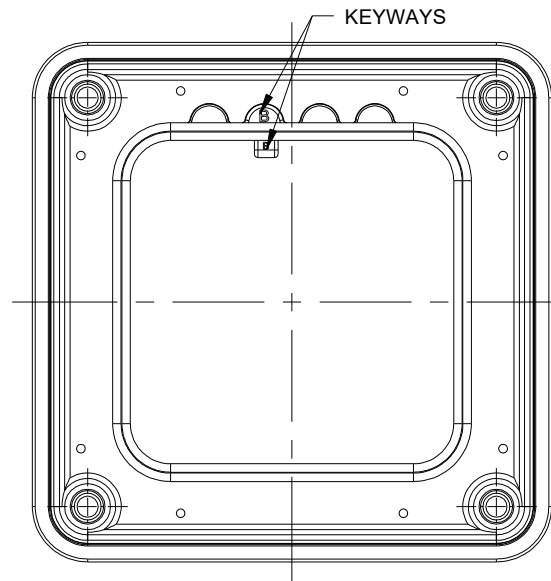
INTERFACE PLANGE P/N	DIMENSION "A"
ARBF-2A	14.30
ARBF-2B	4.78
ARBF-2C	-4.78
ARBF-2D	-14.30



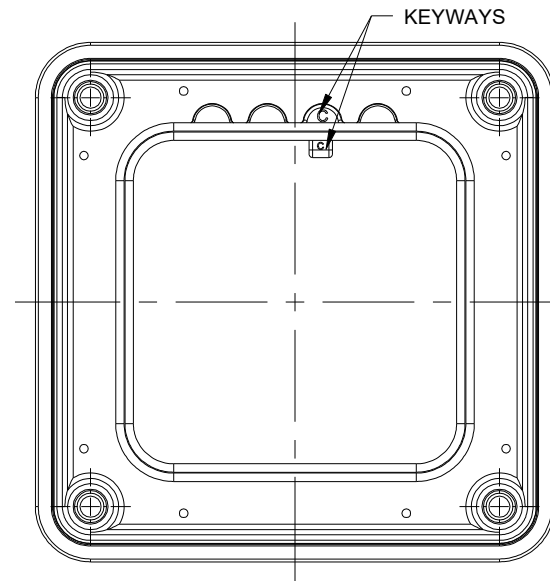
REVISIONS					
REV	ECO	DESCRIPTION	DATE	BY	APPR
A1	-	RELEASE NEW DRAWING	09/MAR/23	IAN	TOMMY



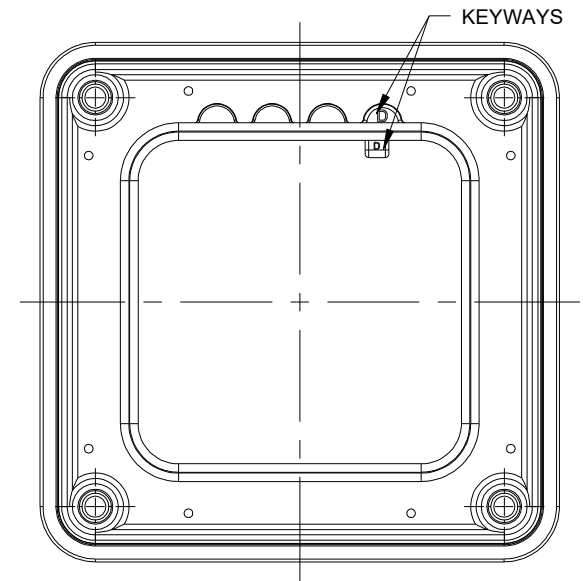
PART NUMBER	REF
ARBF-2A	DRBF-2A



PART NUMBER	REF
ARBF-2B	DRBF-2B



PART NUMBER	REF
ARBF-2C	DRBF-2C



PART NUMBER	REF
ARBF-2D	DRBF-2D

QUANTITY	ARBF-2x PART NUMBER	DESCRIPTION	ITEM

MATERIALS LIST		
SIGNATURES	DATE	
DRAWN: IAN.XIAO	09/MAR/23	<h1>Amphenol</h1> <p>Sine Systems - www.amphenol-sine.com 44724 Morley Drive Clinton Township, MI 48036</p> <p>INTERFACE FLANGE, FOR ARB 40/60P SERIES, BLACK</p>
CHECKED: SULLEN.ZHANG	09/MAR/23	
ENGINEER:		
APPROVAL: TOMMY.XIE	11/MAR/23	
MATERIAL SPECIFICATIONS:		
WEIGHT: 88.9g		
PROCESS SPECIFICATIONS:		
NEXT ASSY:		
<small>UNLESS OTHERWISE SPECIFIED</small> 1) All dimensions are in metric(mm). 2) Tolerances are as follows: 1 PL DEC ±0.30 Fractions ±1/64 2 PL DEC ±0.15 Angles ±1° 3 PL DEC ±0.08 3) Note reference = \triangle		
<small>THIS DRAWING IS SUPPLIED FOR INFORMATION ONLY. DESIGN FEATURES, SPECIFICATIONS AND PERFORMANCE DATA SHOWN HEREON ARE THE PROPERTY OF THE AMPHENOL CORPORATION. NO RIGHTS OF REPRODUCTION ARE IMPLIED. ALL DIMENSIONS ARE SUBJECT TO NORMAL MANUFACTURING VARIATIONS.</small>		
SIZE	TYPE	DWG NO.
B	C-	ARBF-2x
SCALE: NONE		REVISION
		A1
SHEET 2 OF 2		

TITLE: INTERFACE FLANGE FOR ARB 40/60P SERIES, BLACK
DWG NO.:
ARBF-2x
REV: A1
SH: 2
OF: 2