

# Customer Information Sheet

DRAWING No.: M80-FXXXX68F2-XXXXL

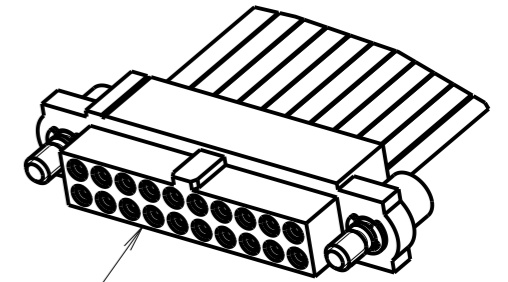
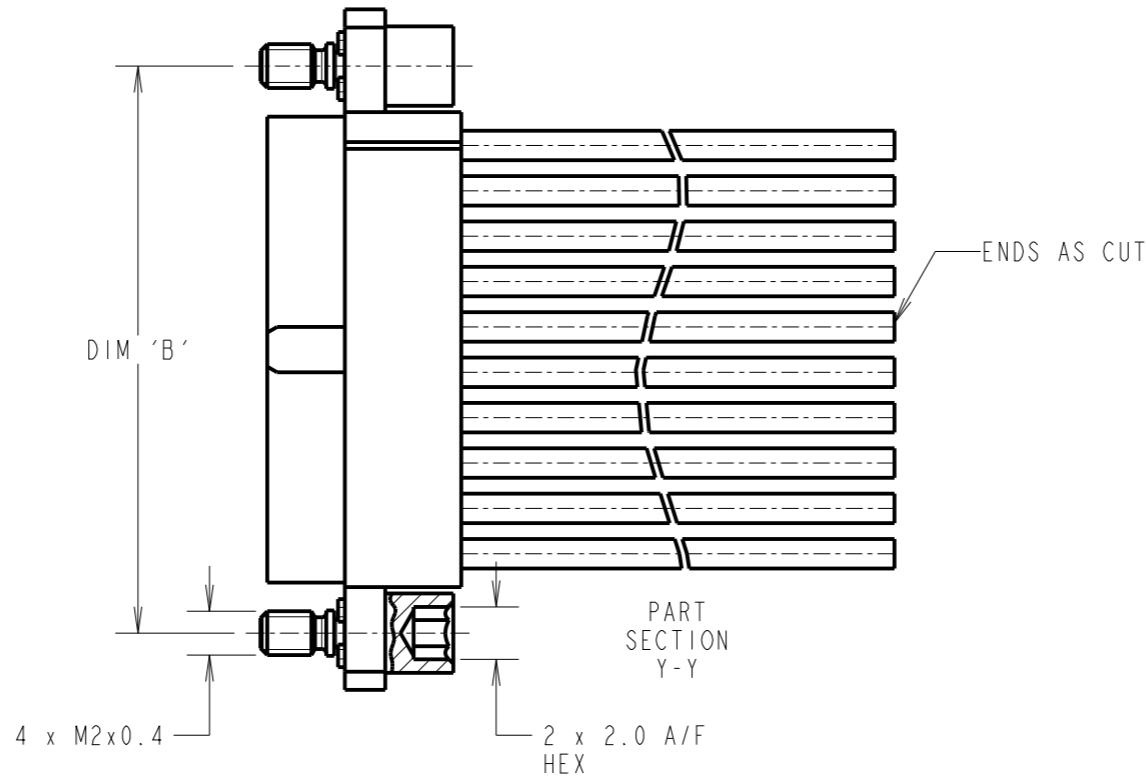
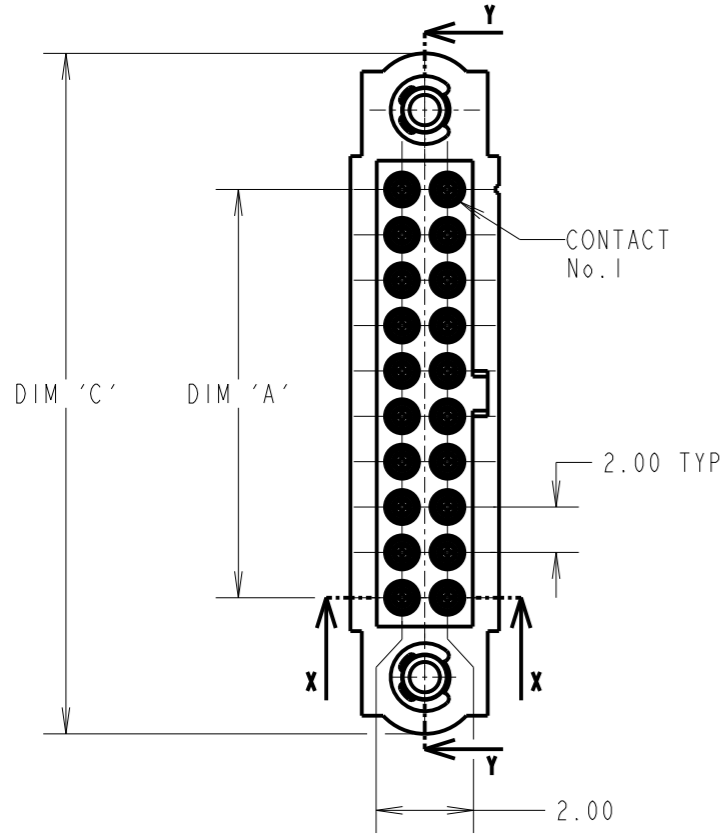
IF IN DOUBT - ASK

©

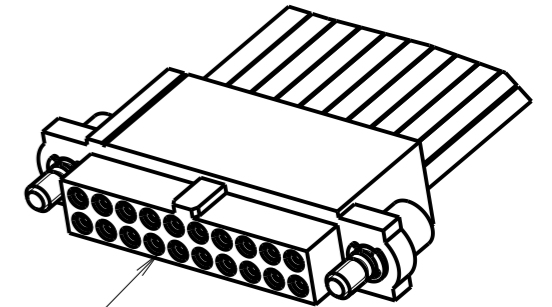
NOT TO SCALE

THIRD ANGLE PROJECTION

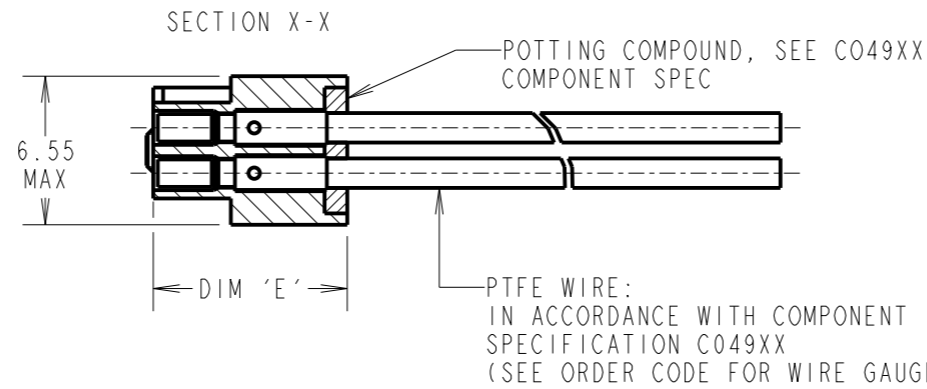
ALL DIMENSIONS IN mm



FEMALE MOULDING 1mm  
POTTING WALL (1-OFF):  
SEE ORDER CODE FOR  
TOTAL No. OF CONTACTS



FEMALE MOULDING 5mm  
POTTING WALL (1-OFF):  
SEE ORDER CODE FOR  
TOTAL No. OF CONTACTS



CONTACT No.	WIRE COLOUR
1	BLACK
2	BROWN
3	RED
4	ORANGE
5	YELLOW
6	GREEN
7	BLUE
8	VIOLET
9	GREY
10	WHITE

WIRE COLOURS REPEAT IN ABOVE ORDER FOR ASSEMBLIES OVER 10 CONTACTS

DIMENSION	MEASUREMENT
DIM 'A'	TOTAL No. OF CONTACTS - 2.0
DIM 'B'	TOTAL No. OF CONTACTS + 5.0
DIM 'C'	TOTAL No. OF CONTACTS + 10.0
DIM 'E'	M80-FEXXXX68F2-XXXXL (5mm WALL) = 12.60±0.10 M80-FFXXXX68F2-XXXXL (1mm WALL) = 8.55±0.10

EXAMPLE PART No.:

10 CONTACT CONNECTOR WITH 150mm OF 22AWG WIRE AND 1mm POTTING WALL = M80-FF11068F2-0150L  
50 CONTACT CONNECTOR WITH 450mm OF 24AWG WIRE AND 5mm POTTING WALL = M80-FE25068F2-0450L

## ORDER CODE:

**M80-FXXXX68F2-XXXXL**

POTTING WALL:  
E = 5mm  
F = 1mm

WIRE AWG:  
1 = 22AWG (LARGE BORE)  
2 = 24AWG (SMALL BORE)  
3 = 26AWG (SMALL BORE)  
4 = 28AWG (SMALL BORE)

DIM 'D' LENGTH:  
0060 = 60mm MIN  
9999 = 9999mm MAX  
(SEE TABLE FOR EXAMPLES)

TOTAL No. OF CONTACTS:  
06, 10, 12, 14, 18, 20,  
26, 34, 42, 50.

RA	3	18.05.22	31469
NAME	ISS.	DATE	CN/CO
APPROVED:		R.ALEXANDER	
CHECKED:		R.PORTLOCK	
DRAWN:		R.ALEXANDER	
CUSTOMER REF.:			
ASSEMBLY DRG:			

### NOTES:

- CABLE ASSEMBLIES WILL BE BULK PACKED IN BAGS.
- FOR COMPLETE SPECIFICATION, SEE COMPONENT SPECIFICATION C005XX (LATEST ISSUE) AND C049XX (LATEST ISSUE).

**HARWIN**

www.harwin.com  
technical@harwin.com

THIS DRAWING AND ANY INFORMATION OR DESCRIPTIVE MATTER SET OUT HEREON ARE CONFIDENTIAL AND COPYRIGHT PROPERTY OF THE HARWIN GROUP AND MUST NOT BE DISCLOSED, LOANED, COPIED OR USED FOR MANUFACTURING, TENDERING OR FOR ANY OTHER PURPOSE WITHOUT THEIR WRITTEN PERMISSION.

TOLERANCES  
X. = ±1mm  
X.X = ±0.50mm  
X.XX = ±0.20mm  
X.XXX = ±0.01mm  
ANGLES = ±5°  
UNLESS STATED

MATERIAL:  
SEE ABOVE  
FINISH: SEE ABOVE  
S/AREA: mm<sup>2</sup>

TITLE: M80 FEMALE POTTING WALL SINGLE-ENDED CABLE ASSEMBLY WITH JACKSCREWS

DRAWING NUMBER:  
**M80-FXXXX68F2-XXXXL**

SHT  
2  
OF  
2