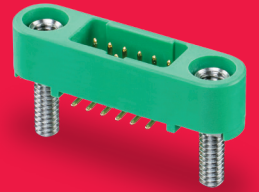
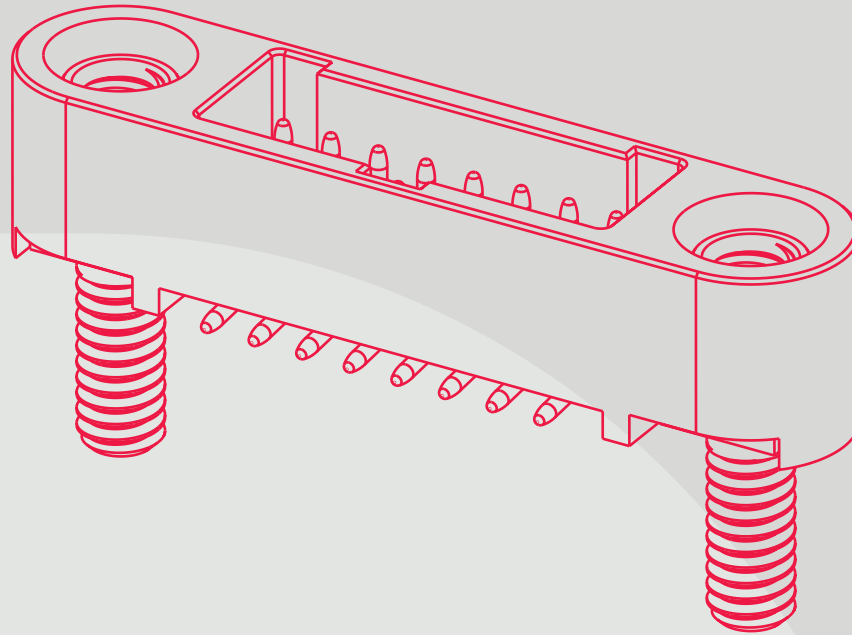


HARWIN

CONNECT TECHNOLOGY
WITH CONFIDENCE



HIGH RELIABILITY
WITH SUPREME
PERFORMANCE



HIGH RELIABILITY RECTANGULAR SIGNAL

MICRO-MINIATURE CONNECTORS

HRI
RANGE

HARWIN



HRI CONNECTORS FROM HARWIN.

Micro-Miniature Connectors for SWaP-C Optimization

For applications that must not fail, Gecko brings high-reliability connection at a miniature 1.25mm pitch. Complete flexibility with assured performance under shock/vibration and temperature.

The compact design gives significant space saving over industry standard alternatives, and up to 75% lighter. Cable-to-board, board-to-board and cable-to-cable options in pin counts up to 50.

The multi-finger Beryllium Copper contacts assure signal integrity under heavy vibration and shock, maintaining electrical connectivity in a variety of harsh environments. Temperature resistance covers -65°C to +150°C.

Stainless steel jackscrews are available in both standard or reverse-fix configurations, with panel and board mount for additional security. Lightweight metal hoods protect cables & housings, and reduce EM/RF interference.

Cable assembly options are available from our in-house cabling experts. Just specify the length and the signal cable gauge, and we'll produce fully inspected and tested assemblies ready for your production line.

Patent Published

FEATURES

- Mate-before-lock or latches for quick and easy connections
- Assured signal integrity under extreme environments – vibration, shock and temperature resistance
- Low outgassing, great for space, avionics and optronics

APPLICATIONS

- Aviation and UAVs
- New space
- Motorsport
- Defense & security



VIEW FULL SERIES & SPECIFICATIONS **HERE**



SPECIFICATIONS

MATERIALS	ELECTRICAL	MECHANICAL	ENVIRONMENTAL
Housings: Glass-Filled High Temperature Thermoplastic, UL94V-0	Current per contact: 2.8A max	Durability: 1,000 mating cycles	Operating temperature: -65°C to +150°C
Contacts: Copper Alloy, Gold Plating	Working voltage: 450V AC/DC	Insertion force (per contact): 2.8N max	Environmental classification: 65/150/56 days at 93% RH
Screw-loks: Stainless Steel	Maximum voltage: 600V AC/DC	Withdrawal force (per contact): 0.2N min	Vibration resistance: 20G (196m/s²) for 6 hrs
Metal Backshells: Aluminium Alloy	Contact resistance: 25mΩ max	Contact retention in housing: 6N min	Shock resistance: 100G (981m/s²) in Z axis 50G (490m/s²) in X/Y axis
	Insulation resistance: 1GΩ min at 500V DC	Pitch: 1.25mm	Outgassing: 0.68% TML, 0.01% CVCM, 0.26% WVR
			Compliance: RoHS Compliant REACH / CMRT statements

Specifications are subject to change.





PRODUCT CATEGORIES

Cable Assemblies

Ready-to-use cabled connectors, single or double ended, fully inspected and tested. Backpotted for added strain relief; shielded and twisted also available. Ideal for both prototyping and full production requirements.



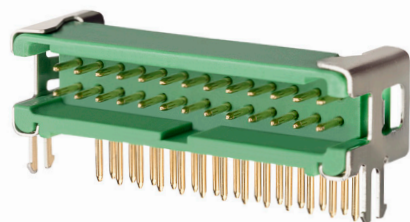
Cable Connector Parts

Cable housings and contacts sold separately, in male and female options. Latches and Screw-loks are ready assembled to the housings.



PCB Connectors

Board-mounted connectors in male and female options. Low profile, with standard gender or reverse screw-loks, or latching style for reduced PCB space.



Tooling & Accessories

Associated products and tooling for the Gecko range.



Specifications are subject to change.



VIEW FULL SERIES & SPECIFICATIONS [HERE](#)





PRODUCT CATEGORIES

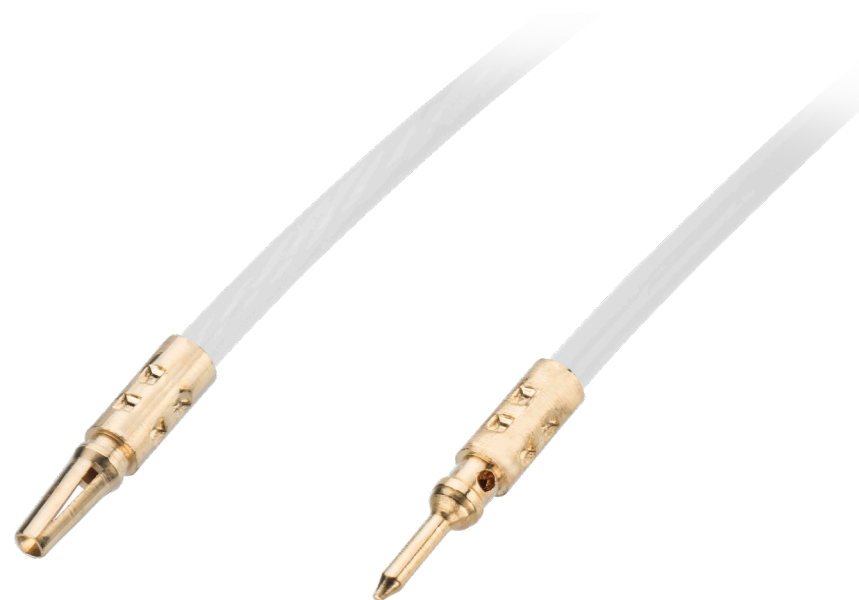
Backshells

Lightweight aluminium alloy backshells for cable and PCB mounting, compatible with male and female connectors. EMC shielding with metal braid and micro-band fixing, available as separate components or as completed ready-made cable assemblies. Robust hoods for long-term physical protection.



Pre-Cabled Contacts

Individual cable contacts pre-crimped to lengths of equipment wire. Available in single or double ended options. Eliminates the additional expense of crimp tooling – great for prototyping and volume production.



Specifications are subject to change.



VIEW FULL SERIES & SPECIFICATIONS [HERE](#)





DOWNLOADS

Technical Documents

Component Specification (including pin numbering system)



Product Training

Product Training Module (PTM)



Cable Assembly Instruction Video



Test Reports

HT030 – Gecko (G125 Series) – Electrical, Mechanical and Environmental



HT069 – Gecko – Backpotting Temperature Test



HT075 – Gecko-SL Shielded Cable Assemblies



HT067 – Gecko-SL Mechanical Screw-Lok Test



Specifications are subject to change.



VIEW FULL SERIES & SPECIFICATIONS **HERE**



HARWIN

CONNECT TECHNOLOGY
WITH CONFIDENCE



HIGH RELIABILITY
WITH SUPREME
PERFORMANCE



INNOVATIVE
DESIGNS FOR
EASY ASSEMBLY



DEPENDABLE
CONNECTIVITY
ACROSS THE BOARD

HRI
RANGE

EZI
RANGE

BBI
RANGE

FOR FURTHER INFORMATION PLEASE CONTACT:

Europe, Middle East & Africa

E: technical@harwin.com

Americas

E: technical-us@harwin.com

Asia Pacific

E: technical-asia@harwin.com

// WWW.HARWIN.COM