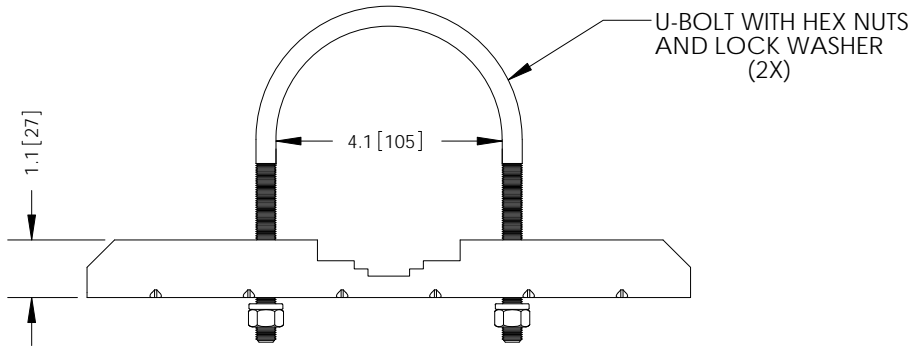
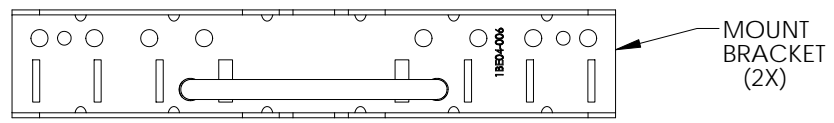
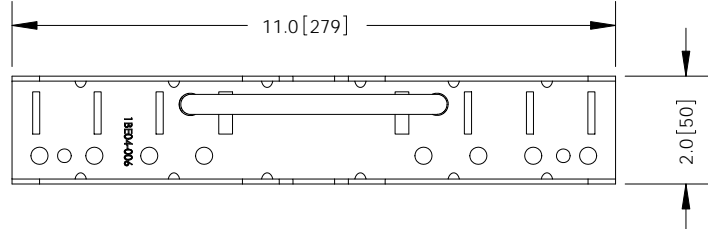
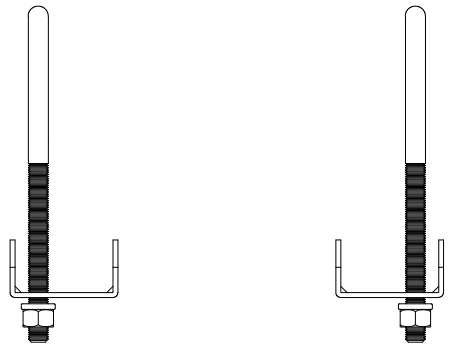
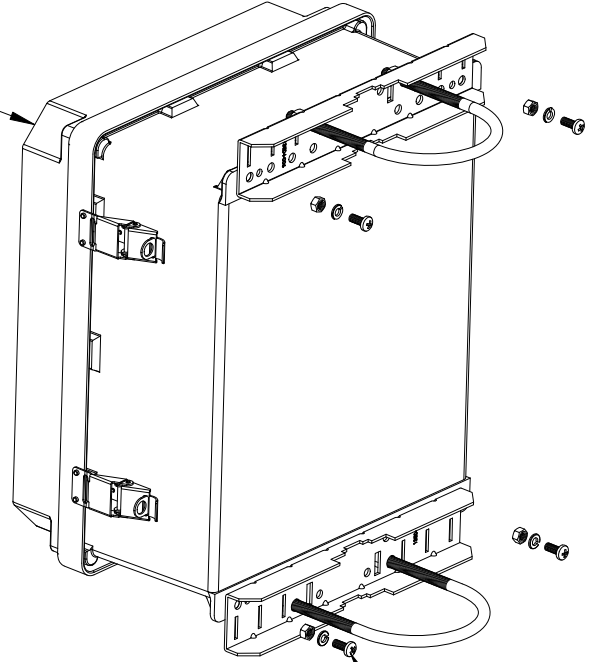


THE INFORMATION CONTAINED IN THIS DRAWING IS THE SOLE PROPERTY OF L-COM, INC. ANY REPRODUCTION IN PART OR WHOLE WITHOUT THE WRITTEN PERMISSION OF L-COM, INC. IS PROHIBITED.

REVISIONS			
REV	DESCRIPTION	DATE	APPROVED
A	INITIAL RELEASE	12/13/11	D.GRIFFIN
B	ECN 7265 UPDATE BRACKET 1BE04-006	01/27/14	B.PUCHASKI
-			



ENCLOSURE SHOWN FOR REFERENCE ONLY -NOT INCLUDED-



NOTES:
PACKAGING:
 COMPONENT SHALL BE PACKAGED IN ACCORDANCE WITH L-COM SPEC PKG-00012.

-ALL DIMENSIONS FOR REFERENCE-

REGULATORY COMPLIANCE:
 CE2011/65/EU(RoHS DIRECTIVE)

UNLESS OTHERWISE SPECIFIED, DIMENSIONS ARE IN INCHES [mm] DIMENSIONAL TOLERANCES: .X = ±.1 [2.54] .XX = ±.01 [.25] .XXX = ±.005 [.13] ANGULAR TOLERANCES: ALL = ± 1°	APPROVALS DRAWN BY B.PUCHASKI	DATE 12/12/11		45 BEECHWOOD DRIVE NORTH ANDOVER, MA 01845
	CHECKED BY M.MARTINEZ APPROVED BY M.MARTINEZ	12/12/11 12/12/11		CATEGORY ENCLOSURE
PROJECTION 	CONFIGURATION DETAILS OF UNDIMENSIONED FEATURES MAY VARY		PRODUCT DESCRIPTION UNIVERSAL POLE MOUNTING KIT- POLE DIAMETER 3 TO 4 INCHES	
	COLOR VARIATIONS MAY OCCUR	SIZE A	FSCM NO. 43321	DWG. NO. HGX-PMT13
		SCALE: NONE	CAD FILE: HGX-PMT13.SLDRW	REV. B
				SHEET 1 OF 1