

Active electronic switch



Lateral illumination: blue



Colour of Housing: red (No illumination)



Colour of Housing: green (no illumination)

See below:

**Approvals and Compliances**

**Description**

- Active electronic switch (LA) / pushbutton (MO) without moving parts
- Triggering of the switching mechanism by light pressure on the switching surface
- Multicolor illumination - the max. currents for the LEDs must be considered and, if necessary, series resistors must be used
- Unilluminated variants in different colors

**Unique Selling Proposition**

- Small installation depth
- Variable input voltage
- Trendy design

**Characteristics**

- Side illumination
- Wearless - no moving parts

**Weblinks**

[pdf data sheet](#), [html datasheet](#), [General Product Information](#), [CAD-Drawings](#), [Product News](#), [Detailed request for product](#)

**Technical Data**

**Electrical Data**

|                             |                                 |
|-----------------------------|---------------------------------|
| Switching Function          | momentary (MO) or latching (LA) |
| Switching Voltage           | max. 60 VDC                     |
| Switching current           | max. 100 mA                     |
| Electrical Rating           | 1 W                             |
| Switch Resistance OFF       | > 10 MΩ                         |
| Switch Resistance ON        | < 20 Ω                          |
| Supply Voltage              | 5 - 28 VDC                      |
| Reverse Polarity Protection | yes                             |
| Short Circuit Protection    | yes                             |
| Lifetime                    | >20 million actuations          |

**Mechanical Data**

|                               |         |
|-------------------------------|---------|
| Actuating Force               | 1 - 3 N |
| Shock Protection              | IK06    |
| Mounting Depth                | 8 mm    |
| Tightening Torque Plastic Nut | 2.5 Nm  |

**Climatical Data**

|  |                         |
|--|-------------------------|
| Operating Temperature                    | -40 to 85 °C            |
| Storage Temperature                      | -40 to 85 °C            |
| IP Protection Class Front Side           | IP67 acc. to IEC 60529  |
|  | IP69K with sealing ring |
| Salt Spray Test (acc. to IEC 60068-2-11) | 96 h Residence Time     |

**Material**

|                  |                 |
|------------------|-----------------|
| Housing          | PMMA            |
| Actuator         | Stainless Steel |
| Illuminated ring | PMMA            |
| Rear cover       | PC              |
| Mounting Nut     | PBT GF30        |





**Approvals and Compliances**

Detailed information on product approvals, code requirements, usage instructions and detailed test conditions can be looked up in [Details about Approvals](#)

SCHURTER products are designed for use in industrial environments. They have approvals from independent testing bodies according to national and international standards. Products with specific characteristics and requirements such as required in the automotive sector according to IATF 16949, medical technology according to ISO 13485 or in the aerospace industry can be offered exclusively with customer-specific, individual agreements by SCHURTER.

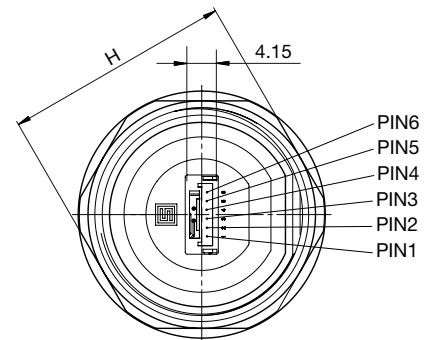
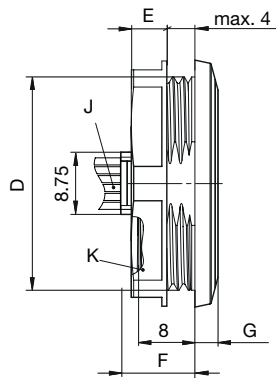
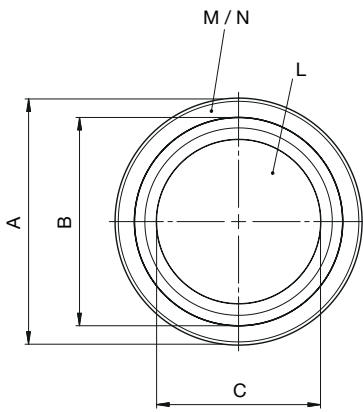
**Compliances**

The product complies with following Guide Lines

| Identification   | Details  | Initiator   | Description   |
|--|--|-------------|---|
|  | <a href="#">CE declaration of conformity</a>   | SCHURTER AG | The CE marking declares that the product complies with the applicable requirements laid down in the harmonisation of Community legislation on its affixing in accordance with EU Regulation 765/2008. |
|  | <a href="#">UKCA declaration of conformity</a> | SCHURTER AG | The UKCA marking declares that the product complies with the applicable requirements laid down in the British Amendment of Regulation (EC) 765/2008.  |
|  | RoHS   | SCHURTER AG | Directive RoHS 2011/65/EU, Amendment (EU) 2015/863  |
|  | REACH  | SCHURTER AG | On 1 June 2007, Regulation (EC) No 1907/2006 on the Registration, Evaluation, Authorization and Restriction of Chemicals 1 (abbreviated as "REACH") entered into force.                               |

**Dimension [mm]**

No illumination / Lateral illumination

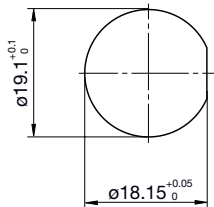


Suitable for connector: JST GHR-06V-S

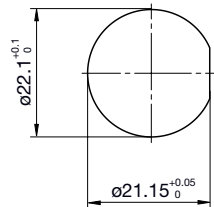
|   | MSS19                      | MSS22           | MSS30           |
|---|----------------------------|-----------------|-----------------|
| A | ø22.00mm                   | ø25.50mm        | ø34.75mm        |
| B | ø18.55mm                   | ø21.50mm        | ø29.30mm        |
| C | ø14.70mm                   | ø16.90mm        | ø23.10mm        |
| D | M 19x0.75                  | M 22x1.00       | M 30x1.50       |
| E | 4.00mm                     | 4.00mm          | 5.00mm          |
| F | 11.30mm                    | 11.10mm         | 10.40mm         |
| G | 2.00mm                     | 2.40mm          | 3.25mm          |
| H | SW / AF 22.00mm            | SW / AF 24.00mm | SW / AF 32.00mm |
| J | Stranded wire              |                 |                 |
| K | Nut (Plastic)              |                 |                 |
| L | Actuator (Stainless steel) |                 |                 |
| M | Lightguide (Plastic)       |                 |                 |
| N | Bezel (Plastic)            |                 |                 |

**Dimension**

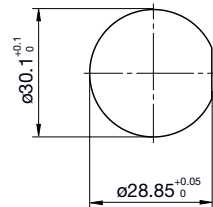
MSS19 Mounting hole



MSS22 Mounting hole

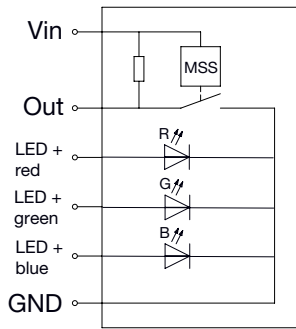


MSS30 Mounting hole



Diagrams

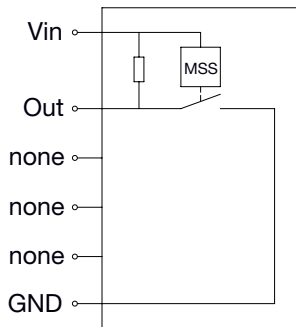
Illuminated



Illuminated

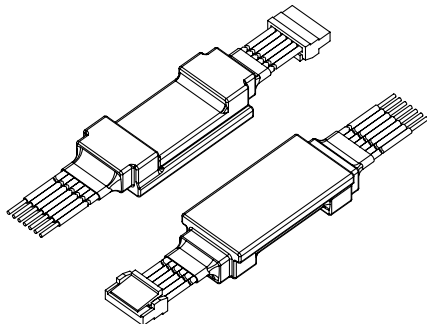
| Connection assignment |            |                      |
|-----------------------|------------|----------------------|
| PIN-number            | Wire color | Function             |
| 1                     | Brown BN   | Vin = 5 VDC...28 VDC |
| 2                     | Black BK   | GND                  |
| 3                     | White WT   | Out                  |
| 4                     | Blue BL    | LED blue             |
| 5                     | Green GN   | LED green            |
| 6                     | Red RD     | LED red              |

Non-illuminated



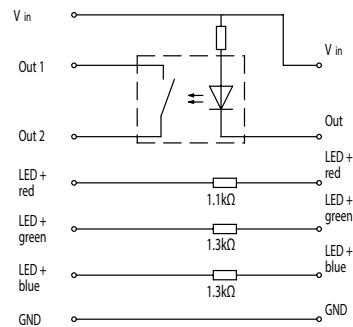
Non-illuminated

| Connection assignment |            |                      |
|-----------------------|------------|----------------------|
| PIN-number            | Wire color | Function             |
| 1                     | Brown BN   | Vin = 5 VDC...28 VDC |
| 2                     | Black BK   | GND                  |
| 3                     | White WT   | Out                  |
| 4                     | Not used   |                      |
| 5                     | Not used   |                      |
| 6                     | Not used   |                      |



Adapter cables are available on request for potential free switching outputs and series resistors for the led illumination

Stranded wire side



Lateral illumination

| Operating Data                           | Forward Voltage min. | Forward Voltage max. |
|--|----------------------|----------------------|
| LED red                                  | 1.7 V                | 2.4 V                |
| LED green                                | 2.6 V                | 3.2 V                |
| LED blue                                 | 2.6 V                | 3.2 V                |
|  |                      | <b>Max. Current</b>  |
| Forward current (at +25°C) <sup>1)</sup> |                      | 50 mA                |
| Forward current (at +85°C) <sup>1)</sup> |                      | 10 mA                |
| Standby current                          |                      | 1mA                  |
| 1) Linear forward current derating curve |                      |                      |
| Series resistor must be added.           |                      |                      |

**Order Index Lettering**

| Laser Marking  |                |                     |                     |
|----------------|----------------|---------------------|---------------------|
| 001 = <b>A</b> | 021 = <b>U</b> | 041 = ÷             | 061 = <b>EIN</b>    |
| 002 = <b>B</b> | 022 = <b>V</b> | 042 = *             | 062 = <b>AUS</b>    |
| 003 = <b>C</b> | 023 = <b>W</b> | 043 = =             | 063 = <b>AUF</b>    |
| 004 = <b>D</b> | 024 = <b>X</b> | 044 = #             | 064 = <b>AB</b>     |
| 005 = <b>E</b> | 025 = <b>Y</b> | 045 = ↔             | 065 = <b>ON</b>     |
| 006 = <b>F</b> | 026 = <b>Z</b> | 046 = †             | 066 = <b>OFF</b>    |
| 007 = <b>G</b> | 027 = <b>0</b> | 047 = →             | 067 = <b>UP</b>     |
| 008 = <b>H</b> | 028 = <b>1</b> | 048 = ←             | 068 = <b>DOWN</b>   |
| 009 = <b>I</b> | 029 = <b>2</b> | 049 = ↓             | 069 = <b>HIGH</b>   |
| 010 = <b>J</b> | 030 = <b>3</b> | 050 = ↑             | 070 = <b>LOW</b>    |
| 011 = <b>K</b> | 031 = <b>4</b> | 051 = %             | 071 = <b>ON/OFF</b> |
| 012 = <b>L</b> | 032 = <b>5</b> | 052 = √             | 072 = <b>START</b>  |
| 013 = <b>M</b> | 033 = <b>6</b> | 053 = <b>CTRL</b>   | 073 = <b>RESET</b>  |
| 014 = <b>N</b> | 034 = <b>7</b> | 054 = <b>RETURN</b> | 074 =               |
| 015 = <b>O</b> | 035 = <b>8</b> | 055 = <b>SHIFT</b>  | 075 =               |
| 016 = <b>P</b> | 036 = <b>9</b> | 056 = <b>LOCK</b>   | 076 =               |
| 017 = <b>Q</b> | 037 = <b>+</b> | 057 = <b>STOP</b>   | 077 =               |
| 018 = <b>R</b> | 038 = <b>-</b> | 058 = <b>ENTER</b>  |                     |
| 019 = <b>S</b> | 039 = <b>.</b> | 059 = <b>BACK</b>   |                     |
| 020 = <b>T</b> | 040 = <b>x</b> | 060 = <b>LINE</b>   |                     |

Please note that the font size depends on the number of characters

## Order number key

|   |   |   |   |    |   |    |    |     |    |   |    |     |     |    |   |    |    |    |   |    |    |    |   |    |     |    |
|---|---|---|---|----|---|----|----|-----|----|---|----|-----|-----|----|---|----|----|----|---|----|----|----|---|----|-----|----|
| M | S | S | - | 19 | - | MO | NO | A10 | C0 | - | LI | RGB | 00R | C0 | - | P2 | OQ | B  | - | S0 | NC | WF | - | 0  | 000 | K  |
|   |   |   |   | 1  |   | 2  | 3  | 4   | 5  |   | 6  | 7   | 8   | 9  |   | 10 | 11 | 12 |   | 13 | 14 | 15 |   | 16 | 17  | 18 |

**Diameter** 🔑 1

|       |   |    |
|-------|---|----|
| 19 mm | = | 19 |
| 22 mm | = | 22 |
| 30 mm | = | 30 |

**Switch type** 🔑 2

|           |   |    |
|-----------|---|----|
| Momentary | = | MO |
| Latching  | = | LA |

**Switch function** 🔑 3

|               |   |    |
|---------------|---|----|
| Normally open | = | NO |
|---------------|---|----|

**Rated current** 🔑 4

|       |   |     |
|-------|---|-----|
| 100mA | = | A10 |
|-------|---|-----|

**Terminal - Switch** 🔑 5

|                      |   |    |
|----------------------|---|----|
| Connector integrated | = | C0 |
|----------------------|---|----|

**Illumination type** 🔑 6

|                      |   |    |
|----------------------|---|----|
| Lateral illumination | = | LI |
| No illumination      | = | 00 |

**Illumination color** 🔑 7

|                 |   |     |
|-----------------|---|-----|
| Multicolor      | = | RGB |
| No illumination | = | 000 |

**Supply voltage illumination** 🔑 8

|               |   |     |
|---------------|---|-----|
| w/o resistors | = | 00R |
| None          | = | 000 |

**Terminal illumination** 🔑 9

|                      |   |    |
|----------------------|---|----|
| Connector integrated | = | C0 |
| None                 | = | 00 |

**Housing material** 🔑 10

|              |   |    |
|--------------|---|----|
| PMMA         | = | P2 |
| PMMA colored | = | P3 |

**Housing color** 🔑 11

|             |   |    |
|-------------|---|----|
| Red         | = | RD |
| Green       | = | GN |
| Blue        | = | BL |
| Black       | = | BK |
| Grey        | = | GE |
| Yellow      | = | YL |
| White       | = | WT |
| Orange      | = | OR |
| Transluzent | = | OQ |

**Mounting** 🔑 12

|                                       |   |   |
|---------------------------------------|---|---|
| Thread (M) w/anti-rotation-protection | = | B |
|---------------------------------------|---|---|

**Actuator material** 🔑 13

|                 |   |    |
|-----------------|---|----|
| Stainless steel | = | S0 |
|-----------------|---|----|

**Actuator color** 🔑 14

|         |   |    |
|---------|---|----|
| Natural | = | NC |
|---------|---|----|

**Actuator style** 🔑 15

|                   |   |    |
|-------------------|---|----|
| Finger guide flat | = | WF |
|-------------------|---|----|

**Lettering type** 🔑 16

|      |   |   |
|------|---|---|
| None | = | 0 |
|------|---|---|

**Marking type** 🔑 17

|      |   |   |
|------|---|---|
| None | = | 0 |
|------|---|---|

**Accessories** 🔑 18

|                 |   |   |
|-----------------|---|---|
| Hex nut plastic | = | K |
|-----------------|---|---|

All Variants

| Diameter [mm] | Rated Current [A] | Illumination type    | Illumination color | Colour of Housing | Switching Function | Suitable cable | Order Number |
|---------------|-------------------|----------------------|--------------------|-------------------|--------------------|----------------|--------------|
| 19            | 100 mA            | Without              | No illumination    | orange            | latching (LA)      | 3 Wires        | 3-126-741    |
| 19            | 100 mA            | Lateral illumination | Multicolor         | translucent       | latching (LA)      | 6 Wires        | 3-126-723    |
| 19            | 100 mA            | Without              | No illumination    | blue              | latching (LA)      | 3 Wires        | 3-126-736    |
| 19            | 100 mA            | Without              | No illumination    | black             | latching (LA)      | 3 Wires        | 3-126-737    |
| 19            | 100 mA            | Without              | No illumination    | grey              | latching (LA)      | 3 Wires        | 3-126-738    |
| 19            | 100 mA            | Without              | No illumination    | white             | latching (LA)      | 3 Wires        | 3-126-740    |
| 19            | 100 mA            | Without              | No illumination    | red               | latching (LA)      | 3 Wires        | 3-126-734    |
| 19            | 100 mA            | Without              | No illumination    | green             | latching (LA)      | 3 Wires        | 3-126-735    |
| 19            | 100 mA            | Without              | No illumination    | yellow            | latching (LA)      | 3 Wires        | 3-126-739    |
| 19            | 100 mA            | Without              | No illumination    | orange            | momentary (MO)     | 3 Wires        | 3-126-733    |
| 19            | 100 mA            | Lateral illumination | Multicolor         | translucent       | momentary (MO)     | 6 Wires        | 3-126-722    |
| 19            | 100 mA            | Without              | No illumination    | blue              | momentary (MO)     | 3 Wires        | 3-126-728    |
| 19            | 100 mA            | Without              | No illumination    | black             | momentary (MO)     | 3 Wires        | 3-126-729    |
| 19            | 100 mA            | Without              | No illumination    | grey              | momentary (MO)     | 3 Wires        | 3-126-730    |
| 19            | 100 mA            | Without              | No illumination    | white             | momentary (MO)     | 3 Wires        | 3-126-732    |
| 19            | 100 mA            | Without              | No illumination    | red               | momentary (MO)     | 3 Wires        | 3-126-726    |
| 19            | 100 mA            | Without              | No illumination    | green             | momentary (MO)     | 3 Wires        | 3-126-727    |
| 19            | 100 mA            | Without              | No illumination    | yellow            | momentary (MO)     | 3 Wires        | 3-126-731    |
| 22            | 100 mA            | Without              | No illumination    | orange            | latching (LA)      | 3 Wires        | 3-126-777    |
| 22            | 100 mA            | Lateral illumination | Multicolor         | translucent       | latching (LA)      | 6 Wires        | 3-126-759    |
| 22            | 100 mA            | Without              | No illumination    | blue              | latching (LA)      | 3 Wires        | 3-126-772    |
| 22            | 100 mA            | Without              | No illumination    | black             | latching (LA)      | 3 Wires        | 3-126-773    |
| 22            | 100 mA            | Without              | No illumination    | grey              | latching (LA)      | 3 Wires        | 3-126-774    |
| 22            | 100 mA            | Without              | No illumination    | white             | latching (LA)      | 3 Wires        | 3-126-776    |
| 22            | 100 mA            | Without              | No illumination    | red               | latching (LA)      | 3 Wires        | 3-126-770    |
| 22            | 100 mA            | Without              | No illumination    | green             | latching (LA)      | 3 Wires        | 3-126-771    |
| 22            | 100 mA            | Without              | No illumination    | yellow            | latching (LA)      | 3 Wires        | 3-126-775    |
| 22            | 100 mA            | Without              | No illumination    | orange            | momentary (MO)     | 3 Wires        | 3-126-769    |
| 22            | 100 mA            | Lateral illumination | Multicolor         | translucent       | momentary (MO)     | 6 Wires        | 3-126-758    |
| 22            | 100 mA            | Without              | No illumination    | blue              | momentary (MO)     | 3 Wires        | 3-126-764    |
| 22            | 100 mA            | Without              | No illumination    | black             | momentary (MO)     | 3 Wires        | 3-126-765    |
| 22            | 100 mA            | Without              | No illumination    | grey              | momentary (MO)     | 3 Wires        | 3-126-766    |
| 22            | 100 mA            | Without              | No illumination    | white             | momentary (MO)     | 3 Wires        | 3-126-768    |
| 22            | 100 mA            | Without              | No illumination    | red               | momentary (MO)     | 3 Wires        | 3-126-762    |
| 22            | 100 mA            | Without              | No illumination    | green             | momentary (MO)     | 3 Wires        | 3-126-763    |
| 22            | 100 mA            | Without              | No illumination    | yellow            | momentary (MO)     | 3 Wires        | 3-126-767    |
| 30            | 100 mA            | Without              | No illumination    | orange            | latching (LA)      | 3 Wires        | 3-126-812    |
| 30            | 100 mA            | Lateral illumination | Multicolor         | translucent       | latching (LA)      | 6 Wires        | 3-126-794    |
| 30            | 100 mA            | Without              | No illumination    | blue              | latching (LA)      | 3 Wires        | 3-126-807    |
| 30            | 100 mA            | Without              | No illumination    | black             | latching (LA)      | 3 Wires        | 3-126-808    |
| 30            | 100 mA            | Without              | No illumination    | grey              | latching (LA)      | 3 Wires        | 3-126-809    |
| 30            | 100 mA            | Without              | No illumination    | white             | latching (LA)      | 3 Wires        | 3-126-811    |
| 30            | 100 mA            | Without              | No illumination    | red               | latching (LA)      | 3 Wires        | 3-126-805    |
| 30            | 100 mA            | Without              | No illumination    | green             | latching (LA)      | 3 Wires        | 3-126-806    |
| 30            | 100 mA            | Without              | No illumination    | yellow            | latching (LA)      | 3 Wires        | 3-126-810    |

| Diameter [mm] | Rated Current [A] | Illumination type    | Illumination color | Colour of Housing | Switching Function | Suitable cable | Order Number |
|---------------|-------------------|----------------------|--------------------|-------------------|--------------------|----------------|--------------|
| 30            | 100 mA            | Without              | No illumination    | orange            | momentary (MO)     | 3 Wires        | 3-126-804    |
| 30            | 100 mA            | Lateral illumination | Multicolor         | translucent       | momentary (MO)     | 6 Wires        | 3-126-793    |
| 30            | 100 mA            | Without              | No illumination    | blue              | momentary (MO)     | 3 Wires        | 3-126-799    |
| 30            | 100 mA            | Without              | No illumination    | black             | momentary (MO)     | 3 Wires        | 3-126-800    |
| 30            | 100 mA            | Without              | No illumination    | grey              | momentary (MO)     | 3 Wires        | 3-126-801    |
| 30            | 100 mA            | Without              | No illumination    | white             | momentary (MO)     | 3 Wires        | 3-126-803    |
| 30            | 100 mA            | Without              | No illumination    | red               | momentary (MO)     | 3 Wires        | 3-126-797    |
| 30            | 100 mA            | Without              | No illumination    | green             | momentary (MO)     | 3 Wires        | 3-126-798    |
| 30            | 100 mA            | Without              | No illumination    | yellow            | momentary (MO)     | 3 Wires        | 3-126-802    |

Availability for all products can be searched real-time: <https://www.schurter.com/en/info-center/support-tools/stock-check-distributors>

## Packaging unit

10 Pcs

## Accessories

### Description



[Cable\\_to\\_Metal\\_Line](#)  
Cable to MSS, CHS and THS