

WS48M- X X X RGB XX

SWITCH FUNCTION CODE	SWITCH FUNCTION DESCRIPTION
A	MACHANICAL, MOMENTARY, WIRELEADS
B	MACHANICAL, MAINATINED, WIRELEADS

HOUSING MATERIAL CODE	HOUSING DECSRIPTION
1	STAINLESS STEEL
2	ZINC ALLOY, CHROME PLATED
3	AL ALLOY, ANODIZED BLACK

ILLU. TYPE CODE	ILLUMINATION TYPE DESCRIPTION
1	CENTER SPOT ILLUMINATION
2	RING ILLUMINATION
3	POWER/STANDBY SYMBOL ILLUMINATION

LED COLOR CODE	LED COLOR
RGB	RED/GREEN/BLUE

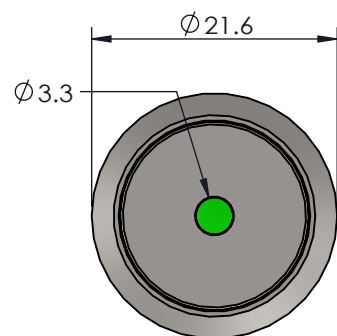
LED INLET VOLTAGE CODE	LED INLET VOLTAGE
IF BLANK*	(SEE NOTE )
05	5V
12	12V
24	24V

**MECHANICAL CHARACTERISTICS:**  
 SWITCH CIRCUITRY: SPST-NO-DB (CONTACT FORM X)  
 SWITCH ACTION: MOMENTARY AND MAINTAINED (PER CHART)  
 BUTTON TRAVEL: 2.3mm [.090] NOMINAL  
 OPERATING FORCE: 306g [3N] NOMINAL  
 CONTACT BOUNCE: 1ms NOMINAL  
 PANEL THICKNESS: 0.5 - 4.5mm [.020 - .177]  
 CONTACTS: SILVER PLATED  
 NUT TORQUE FORCE: 11.5 kgf-cm [MAX 10 LB-in]

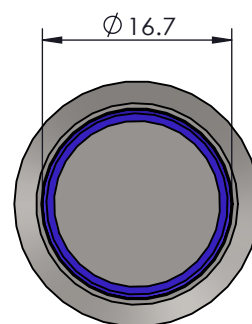
**ENVIRONMENTAL SPECIFICATIONS:**  
 ACTUATOR INGRESS PROTECTION: IP67  
 OPERATING TEMPERATURE: -40 C to +85 C [-40 F to +185 F]

**ELECTRICAL SPECIFICATIONS:**  
 CURRENT RATING:  
 MOMENTARY: 10mA@12VDC, 100K CYCLES  
 MAINTAINED : 20K CYCLES NOMINAL  
 DIELECTRIC STRENGTH: 1,000VAC  
 INSULATION RESISTANCE: 1G OHM  
 CONTACT RESISTANCE:  
 250m OHMS MAX INITIAL(WIRELEADS)

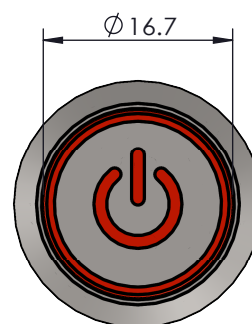
**NOTE**  
 1. CURRENT LIMITING RESISTOR IS REQUIRED TO LIMIT LED FORWARD CURRENT TO 20mA  
 2. SUPPLY HEX NUT AND SEALING WASHER BULK PACKED.



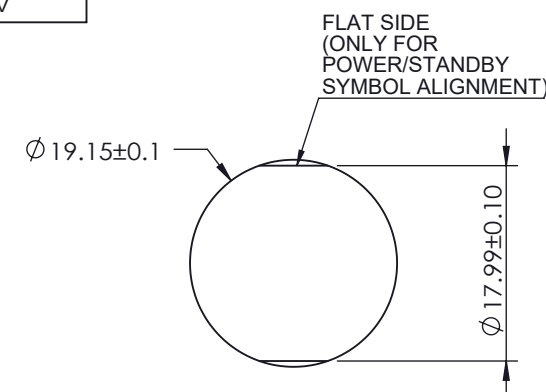
CENTER SPOT ILLUMINATION



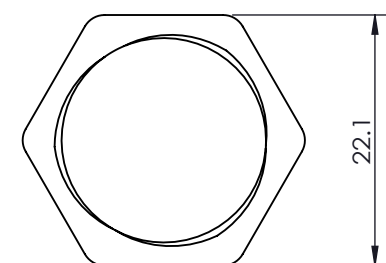
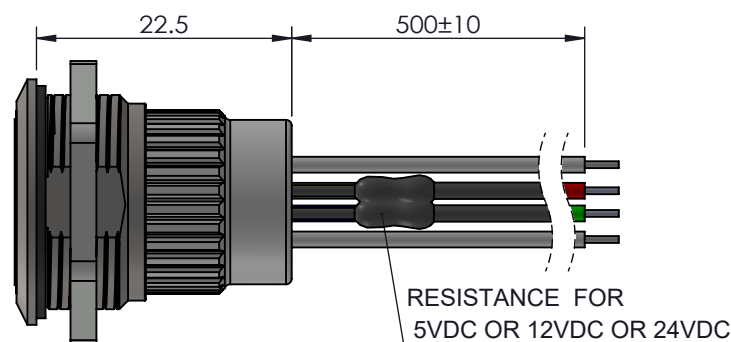
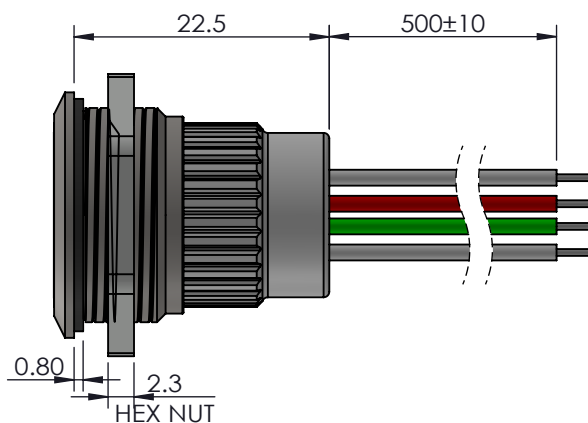
RING ILLUMINATION



POWER/STANDBY SYMBOL ILLUMINATION



RECOMMENDED PANEL CUT-OUT



HEX NUT

LED SPECIFICATION

LED CODE	LED Vf (VDC)			If (mA)	CIRCUITRY
	Color RED	Color GREEN	Color BLUE		
RGB (COMMON ANODE)	1.7 ~ 2.6	2.6 ~ 3.4	2.6 ~ 3.4	20	
RGB05 (COMMON ANODE)	5	5	5	20	
RGB12 (COMMON ANODE)	12	12	12	20	
RGB24 (COMMON ANODE)	24	24	24	20	

WIRELEADS SPECIFICATION

WIRELEADS TYPE	WIRELEADS SPECIFICATION	SW TERMINAL		LED			
		/	O	COM(+)	RED(-)	GREEN(-)	BLUE(-)
ILLUMINATION	AWG26 / UL1007	WHITE	WHITE	YELLOW	RED	GREEN	BLUE

DWG TYPE SALES DRAWING	DRAWN K.Y.	TOLERANCES: UNLESS OTHERWISE NOTED X.X ± 0.5 X.XX ± 0.25 ANGULAR ± 5°	DWG TITLE WS48M-MECHANICAL MOMENTARY/MAINTAIN, RGB ILLUMINATION								
STATUS RELEASE	REVIEW S.S.		DWG NO. WS48M-A,B-RGB								
This document is the intellectual property of ITW Electronic Business Asia Co., Limited and may contain confidential, proprietary, privileged information protected by law. Neither this document nor any information it contains can be reproduced, transformed to any other format, or distributed, without written permission by ITW Electronic Business Asia Co., Limited. 本文作為安達維百電股份有限公司之智慧財產，非經許可不得翻取、複製、轉變成其他形式使用或散佈			THIRD ANGLE PROJECTION 	DATE 2022/2/18	REF: 48M-1,2,5,6,A,B	<input checked="" type="checkbox"/> 管制文件 <input type="checkbox"/> 非管制文件	Unit mm	SCALE 3:2	REV 1	RoHS Compliant	SHEET 1 OF 2



**REVISION RECORD**

REV.	DESCRIPTION	DATE	DRAWN BY	DOCUMENT NO.
1	RELEASE FOR PRODUCTION	2022/02/18	K.Y./T.S.	DCN-202200015

DWG TYPE SALES DRAWING	DRAWN <i>K.Y.</i>	TOLERANCES: UNLESS OTHERWISE NOTED X.X ± 0.5 X.XX ± 0.25 ANGULAR ± 5°	DWG TITLE WS48M-MECHANICAL MOMENTARY/MAINTAIN, RGB ILLUMINATION						
STATUS RELEASE	REVIEW <i>J.S.</i>	THIRD ANGLE PROJECTION 	DWG NO. WS48M-A,B-RGB						
<small>This document is the intellectual property of ITW Electronic Business Asia Co., Limited and may contain confidential, proprietary, privileged information protected by law. Neither this document nor any information it contains can be reproduced, transformed to any other format, or distributed, without written permission by ITW Electronic Business Asia Co., Limited.          本文件為安天德百電股份有限公司之智權財產，非經許可不得翻印、複製、轉變成其他形式使用或散佈。</small>		DATE 2022/2/18	REF: 48M-1,2,5,6,A,B	<input checked="" type="checkbox"/> 管制文件 <input type="checkbox"/> 非管制文件		Unit mm	SCALE 3:2	REV 1	RoHS Compliant