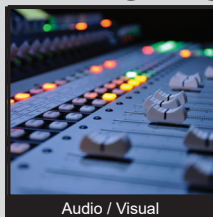


PVA6 SERIES ANTI-VANDAL SWITCH

ANTI-VANDAL SWITCHES
DETECTOR SWITCHES
DIP SWITCHES
KEYLOCK SWITCHES
NAVIGATION SWITCHES
PUSHBUTTON SWITCHES
ROCKER SWITCHES
ROTARY SWITCHES
SLIDE SWITCHES
SNAP ACTION SWITCHES
TACTILE SWITCHES
TOGGLE SWITCHES
CAP OPTIONS



APPLICATIONS / MARKETS



RoHS

SPECIFICATIONS

Electrical Rating: 2A, 36VDC
Mechanical Life: 1,000,000 Cycles (PVA6L 100,000 Cycles)
Electrical Life: 200,000 Cycles (PVA6L 100,000 Cycles)
Contact Resistance: 50mΩ Max. Initial
Insulation Resistance: 1,000 MΩ @ 500VDC
Dielectric Strength: 2,000V
Operating/Storage Temperature: -20°C to 70°C
Travel: 2.0mm (PVA6L 2.3mm)
Moisture Protection: IP67
Contact Arrangement: SPST
Actuation Force: 460 gf
Panel Thickness: 1-8mm (PVA6L 1-6mm)
Max Hex Nut Torque: 11.5 kgf/cm
Contact Material: Silver (PVA6L Coin Silver, Gold Flash Plated)

FEATURES & BENEFITS

PVA6

- 16mm diameter panel cutout
- Solder lug, wire leads, or molded back termination
- Ring or power symbol / ring illumination options
- Multiple actuator options
- IP67 rated, Off-(On), SPST
- Multiple LED colors available

PVA6L - Latching Version

- 16mm diameter panel cutout
- Solder lug or wire leads (500 mm long) termination
- Ring or power symbol / ring illumination options
- IP67 rated, Off-On Latching, SPST
- Multiple LED colors available

PART NUMBER CONFIGURATOR

Series Options	Bezel Shape	Button Style	Termination	Circuit Function	Housing Material	LED Color Options	LED Voltage
<input type="checkbox"/> <input type="checkbox"/> <input type="checkbox"/> <input type="checkbox"/> <input type="checkbox"/> PVA6	<input type="checkbox"/> R - Rounded	<input type="checkbox"/> E - Ring Illumination P - Power Symbol/ Ring Illumination	<input type="checkbox"/> 2 - Solder Lug W - Wire Leads 500mm long M - Molded Back w/ Wire Leads 500mm long	<input type="checkbox"/> 4 - SPST Off - (On)* Momentary	<input type="checkbox"/> 1 - Black Anodized 2 - Clear Anodized	<input type="checkbox"/> 0 - White 1 - Red 3 - Green 4 - Blue 5 - Yellow G - Red/Green bi-color	<input type="checkbox"/> 1 - Base Voltage [†]
PVA6	H - High Flat	E - Ring Illumination	2 - Solder Lug W - Wire Leads 500mm long M - Molded Back w/ Wire Leads 500mm long	4 - SPST Off - (On)* Momentary	S - Stainless Steel	0 - White 1 - Red 3 - Green 4 - Blue 5 - Yellow G - Red/Green bi-color	1 - Base Voltage [†]
PVA6	F - Flat	E - Ring Illumination P - Power Symbol/ Ring Illumination	2 - Solder Lug W - Wire Leads 500mm long M - Molded Back w/ Wire Leads 500mm long	4 - SPST Off - (On)* Momentary	S - Stainless Steel	0 - White 1 - Red 3 - Green 4 - Blue 5 - Yellow G - Red/Green bi-color	1 - Base Voltage [†]
PVA6L	R - Rounded	E - Ring Illumination P - Power Symbol/ Ring Illumination	2 - Solder Lug W - Wire Leads 500mm long	1 - SPST Off - On Latching	1 - Black Anodized 2 - Clear Anodized	0 - White 1 - Red 3 - Green 4 - Blue 5 - Yellow G - Red - Off Position/ Green - On Position bi-color	1 - Base Voltage ^{††}

NOTES:
 * () denotes function is momentary
[†]PVA6 Base voltage on LEDs: 1.7V - 2.5V @ 20mA; 2.0V Typ @ 20mA for Red and Yellow LED colors
 2.8V - 3.7V @ 20mA; 3.1V Typ @ 20mA for Blue, Green, and White LED colors
^{††}PVA6L Base voltage on LEDs: 3V @ 20mA for all LED colors

Specifications subject to change without notice 12.20.2022



E-SWITCH®

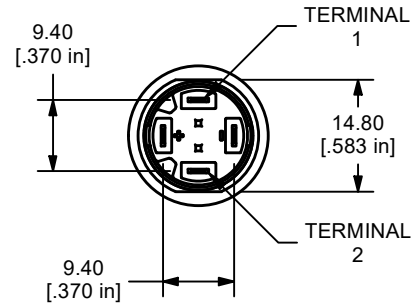
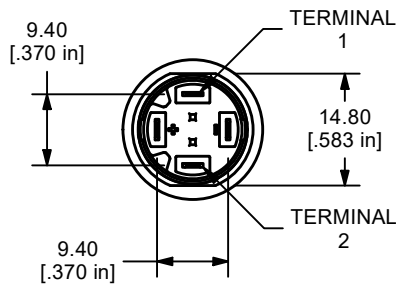
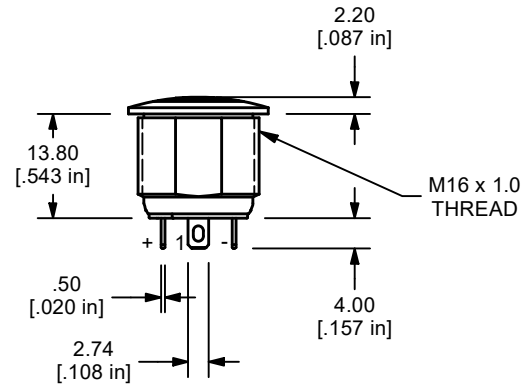
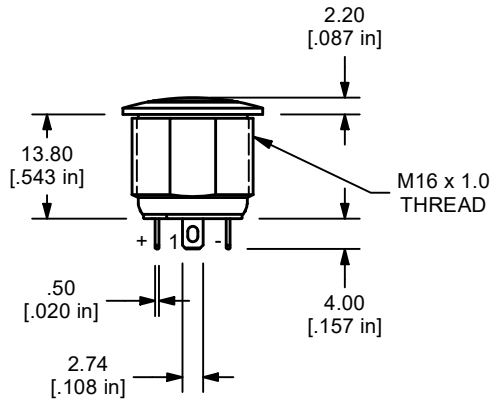
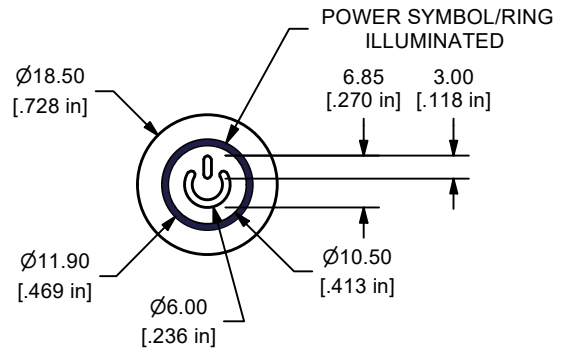
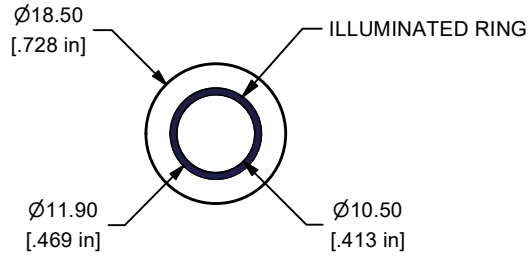
www.e-switch.com

800.867.2717

1

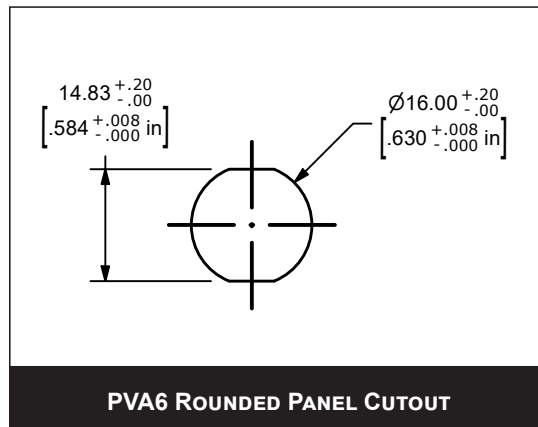
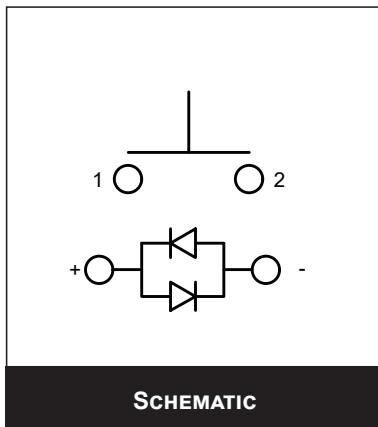
PVA6 SERIES ANTI-VANDAL SWITCH

BODY DIMENSIONS PVA6 ROUNDED BEZEL



RING ILLUMINATED

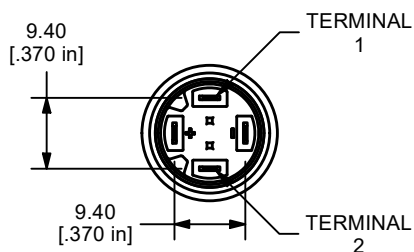
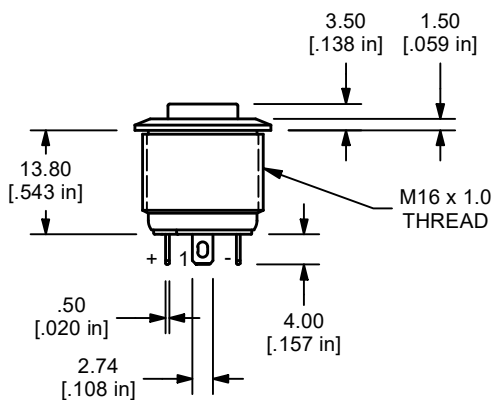
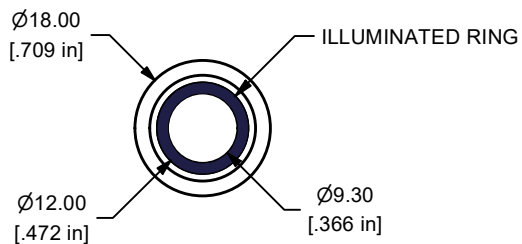
POWER SYMBOL/RING ILLUMINATED



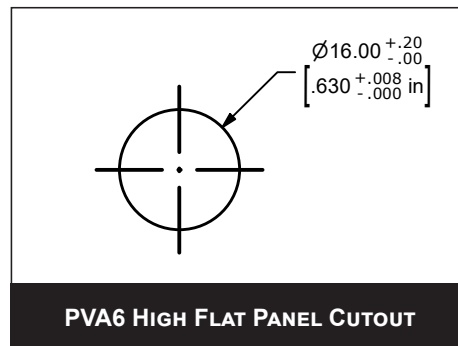
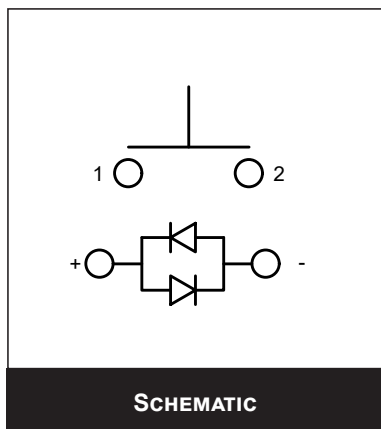
ANTI-VANDAL SWITCHES
DETECTOR SWITCHES
DIP SWITCHES
KEYLOCK SWITCHES
NAVIGATION SWITCHES
PUSHBUTTON SWITCHES
ROCKER SWITCHES
ROTARY SWITCHES
SLIDE SWITCHES
SNAP ACTION SWITCHES
TACTILE SWITCHES
TOGGLE SWITCHES
CAP OPTIONS

PVA6 SERIES ANTI-VANDAL SWITCH

BODY DIMENSIONS PVA6 HIGH FLAT BEZEL

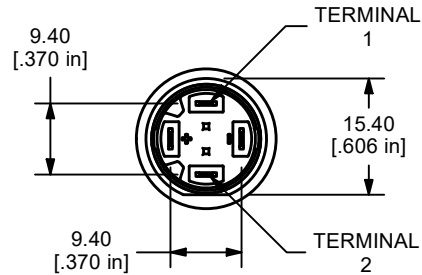
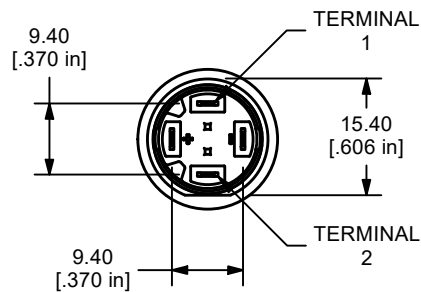
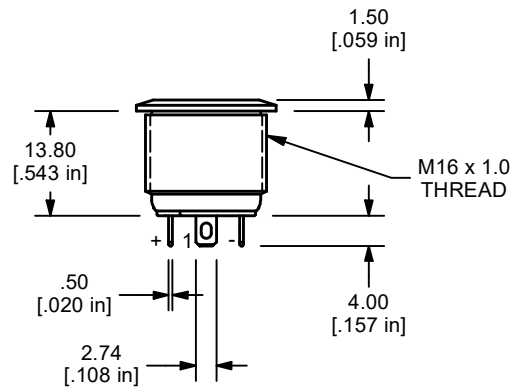
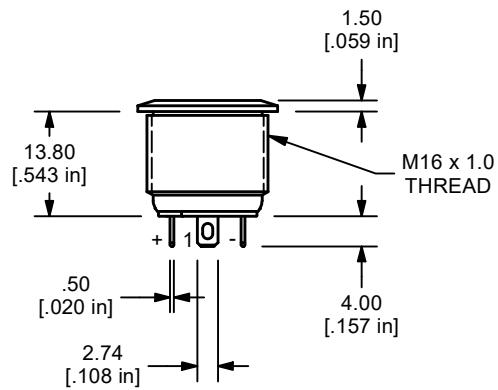
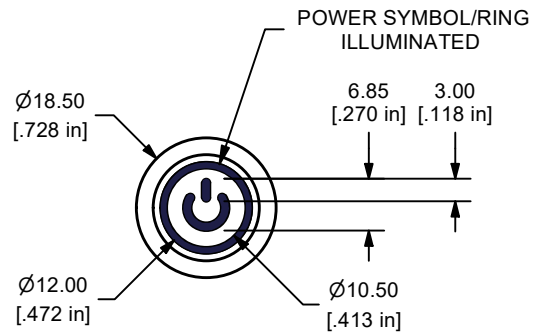
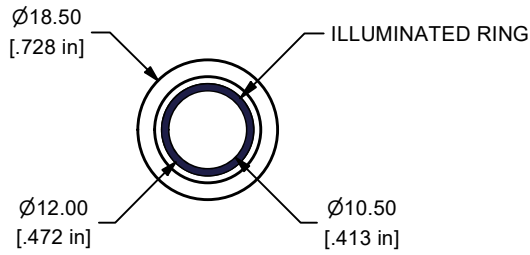


RING ILLUMINATED



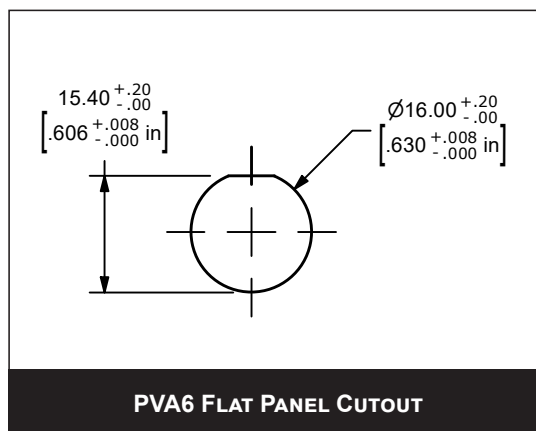
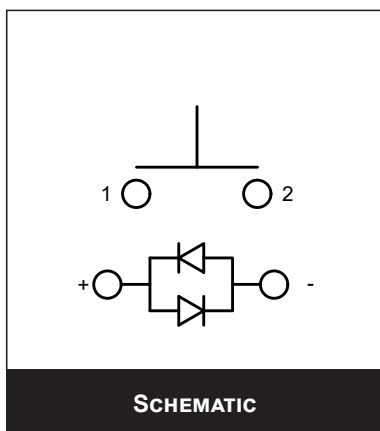
PVA6 SERIES ANTI-VANDAL SWITCH

BODY DIMENSIONS PVA6 FLAT BEZEL



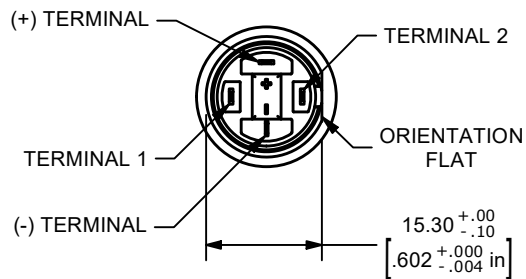
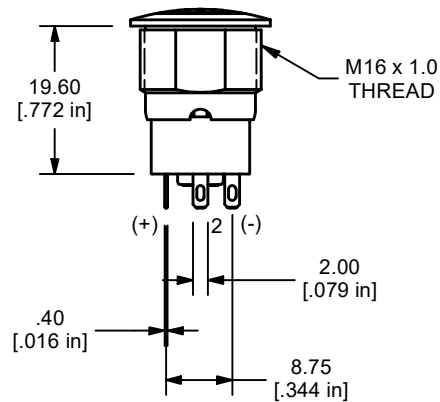
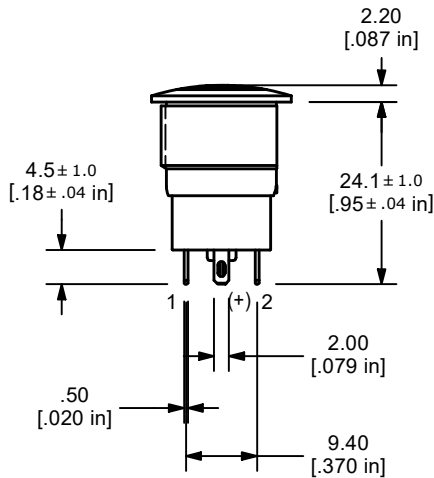
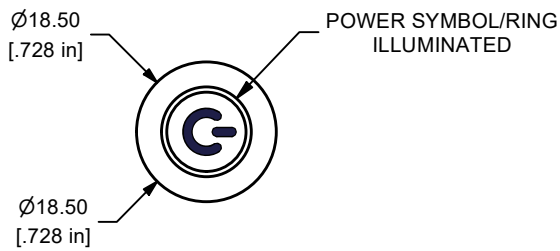
RING ILLUMINATED

POWER SYMBOL/RING ILLUMINATED

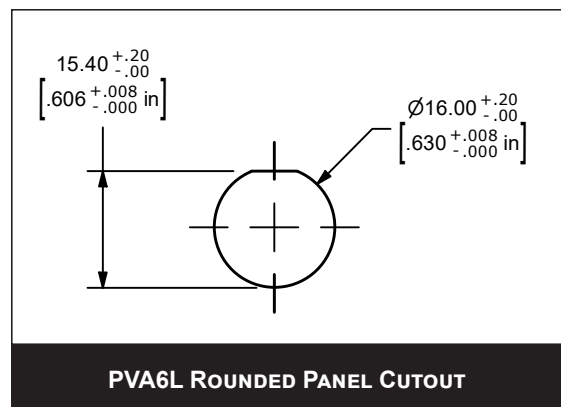
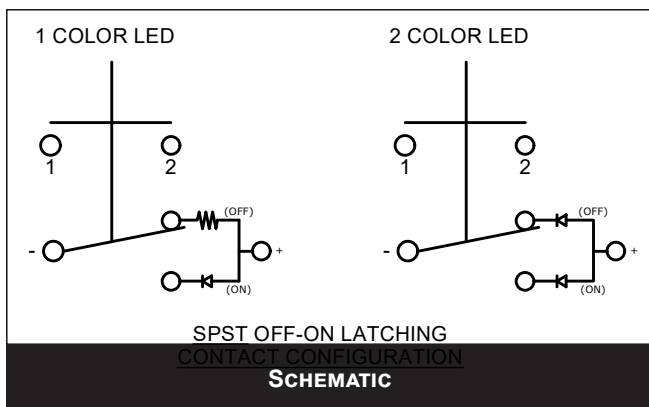


PVA6 SERIES ANTI-VANDAL SWITCH

BODY DIMENSIONS PVA6L ROUNDED BEZEL



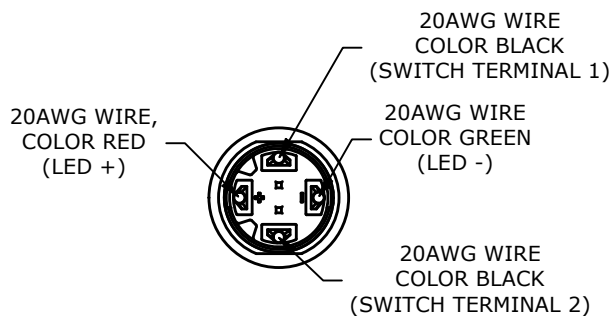
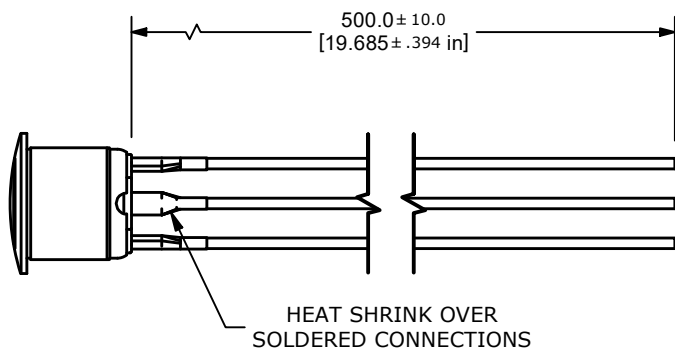
POWER SYMBOL/RING
ILLUMINATED



PVA6 SERIES ANTI-VANDAL SWITCH

WIRE OPTIONS

W - Wire Leads 500mm long



M - Molded Back w/ Wire Leads 500mm long

