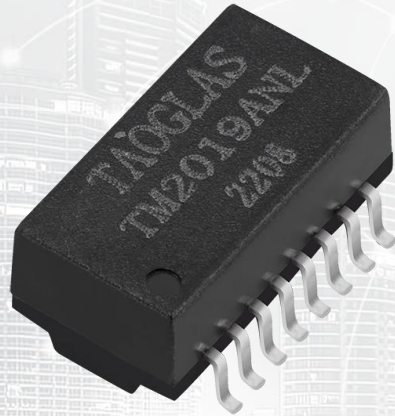




TAOGLAS®



Datasheet

LAN Transformer 10/100 Base-T PoE

Part No:
TM2019ANL

Description:

10/100 Base-T transformer
Single Port and 16pin SMT with PoE

Features:

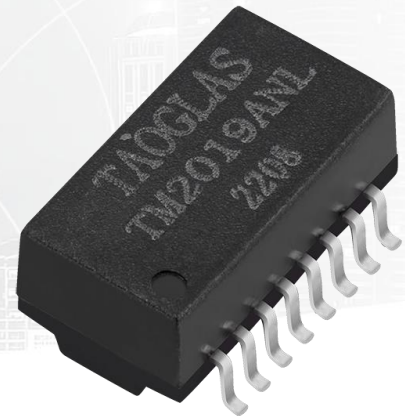
PoE (350mA)
Industrial grade
RoHS & REACH Compliant

1.	Introduction	3
2.	Specifications	4
3.	Mechanical	5
4.	Electrical	6
5.	Packaging & Storage	7
<hr/>		
	Changelog	8

Taoglas makes no warranties based on the accuracy or completeness of the contents of this document and reserves the right to make changes to specifications and product descriptions at any time without notice. Taoglas reserves all rights to this document and the information contained herein. Reproduction, use or disclosure to third parties without express permission is strictly prohibited.



1. Introduction



Featuring a compatible footprint with industry LAN transformers, and designed to work in demanding industrial environmental conditions, the Taoglas TM2019ANL is a LAN Transformer 10/100Base-T Single Port of 16pins that is capable to work in industrial environmental conditions.

Typical applications for this cost-effective part are:

- Industrial Automation
- Hubs
- Routers
- Switches
- Wireless Access Points

The Taoglas Magnetics Product Team have over fifteen years of LAN magnetics design and high-quality manufacturing. With an ever-expanding portfolio, we provide trusted products and services to customers within a wide range of applications such as: Networking and Interconnect Devices, Servers, Switches, Router, Communication systems and any Digital Consumer electronics.

The Taoglas Exos Series offer an extensive product line of LAN Transformers designed for commercial and industrial grade applications, supporting 10/100 Base-T (Exos100 Series), 1G Base-T (Exos1G Series) and 10G Base-T (Exos10G Series). These products include Single, Dual, and Quad configurations not only for standard applications but also for Power over Ethernet (PoE, PoE+, PoE++).

For more information on the range of products or for assistance with integration, contact your regional Taoglas customer support team.

2. Specifications

Electrical Performance @25°C	
Inductance OCL	350µH MIN @ 100KHz 0.1V 8mA DC Bias
Turns Ratio (±2%)	TX=1CT: 1CT RX=1CT: 1CT
DCR	1-3,6-8:1.2ΩMax
Leakage Inductance	1-3 (Tie:16+14): 0.5uH Max @ 100KHz 0.1
	6-8 (Tie:11+9): 0.5uH Max @ 100KHz 0.1V
Cw/w	(1-3) to (16-14): 28pF Max @ 100KHz 0.1V
	(6-8) to (11-9): 28pF Max @ 100KHz 0.1V
Insertion Loss	-1.4dB MAX @ 0.1-100Mhz
Return Loss	-16dB MIN @ 0-30Mhz
	-14dB MIN @ 30-40Mhz
	-13dB MIN @ 40-50Mhz
	-12dB MIN @ 50-80Mhz
Cross talk	-45dB MIN @ 0-30Mhz
	-40dB MIN @ 30-40Mhz
	-35dB MIN @ 60-100Mhz
DCMR (dB MIN)	-43dB MIN @ 0-30Mhz
	-37dB MIN @ 30-60Mhz
	-33dB MIN @ 60-100Mhz
Hi-Pot	1500Vrms Min

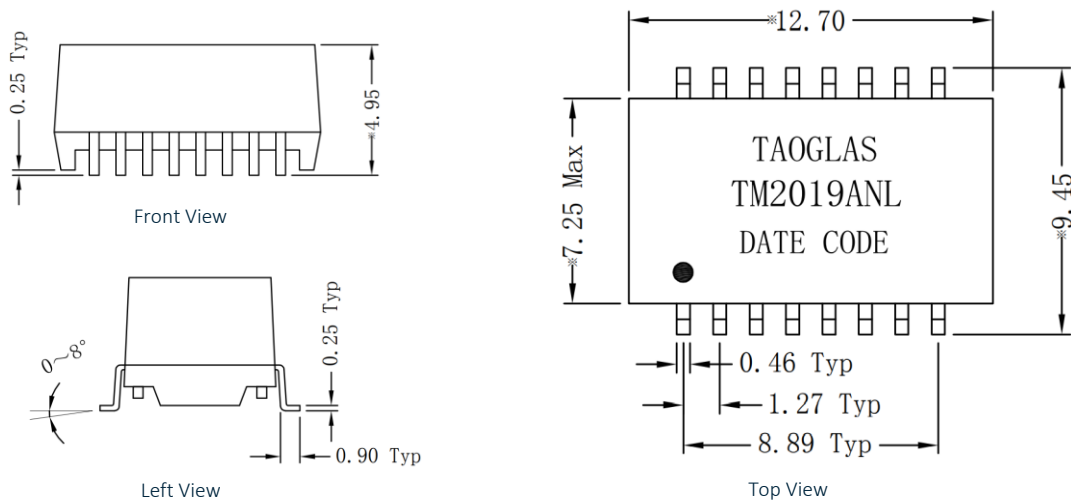
Environmental Specifications	
Operating Temperature	-40°C TO +85°C

Compliance	
UL recognized - FILE NO. E528697	
RoHS Compliant	

Storage requirements	
Humidity	Storage Temperature
MSL - 1	-40°C TO +85°C

3. Mechanical

3.1 Mechanical Drawings

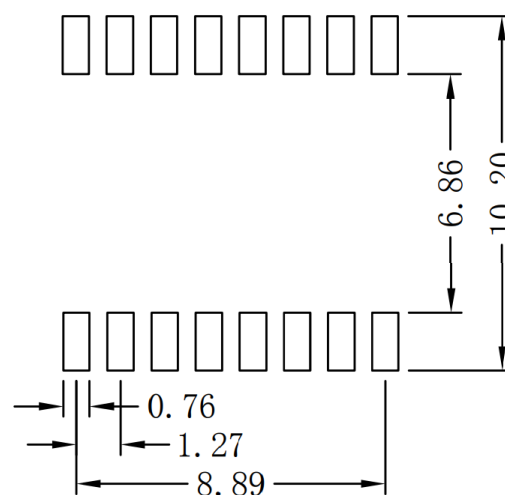


Mechanical Specifications

Length	12.7 mm
Width	9.45 mm
Height	4.95 mm
Mounting Style	Surface Mount (SMT)

Dimensions are in millimeters with the following tolerances: X.XX = ± 0.25

3.2 Pad Layout

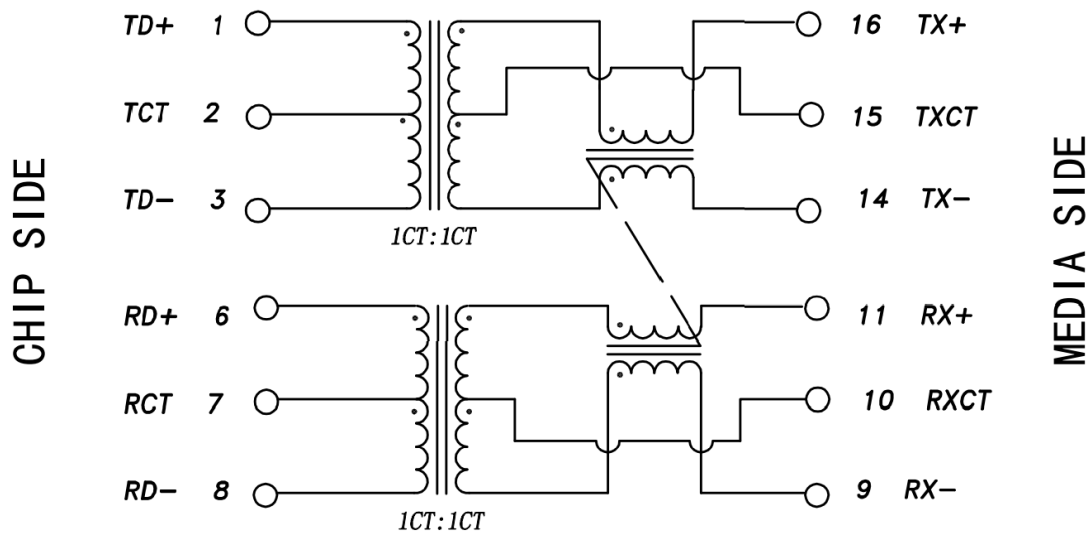


Suggested Pad Layout

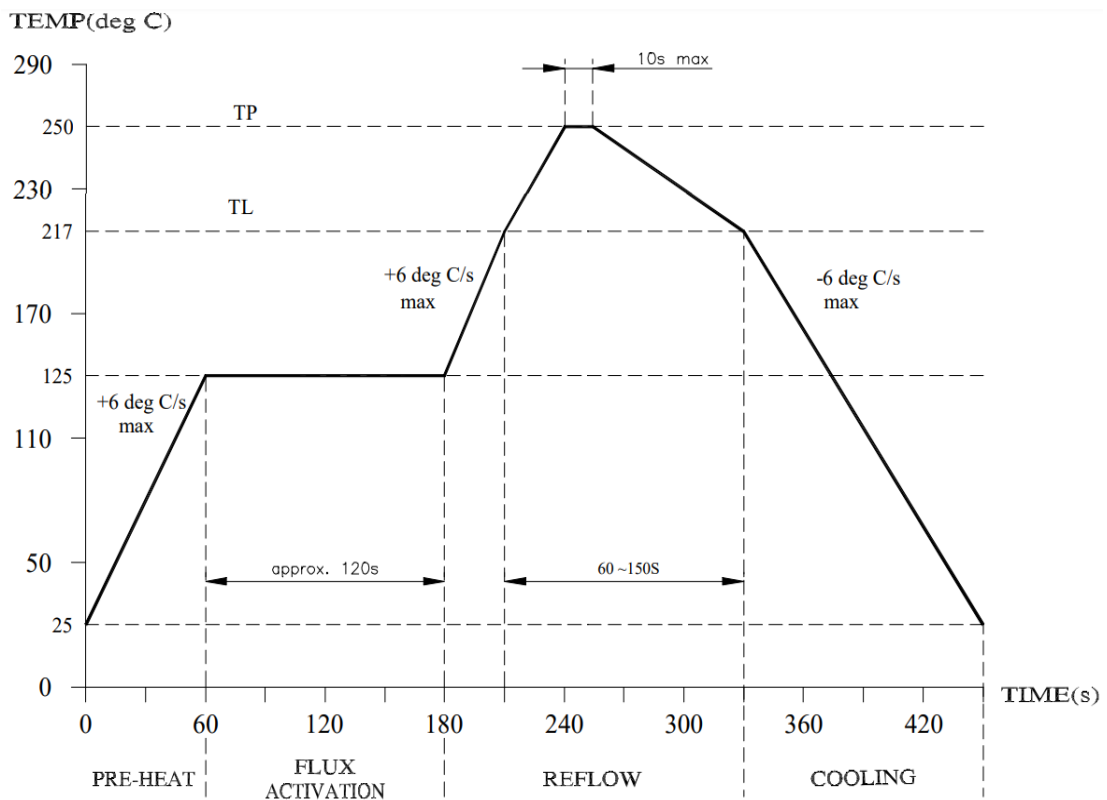
Dimensions are in millimeters with the following tolerances: X.XX = ± 0.10

4. Electrical

4.1 Electrical Drawings



4.2 Profile of Reflow Solder



5. Packaging and Storage

5.1 SPQ

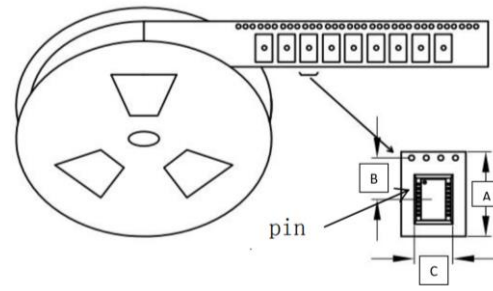
650 pcs/reel

A (Carrier Tape Width): 24 ± 0.3 mm

B (Sprocket hole to Cavity center): 11.5 ± 0.2 mm

C (Cavity width): 10.45 ± 0.2 mm

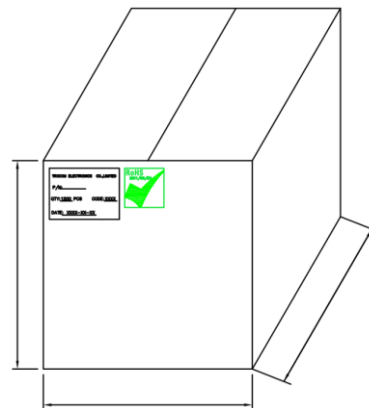
Reel weight: 750 g



1CTN = 6 reels = 3900 pcs

Carton dimensions: 370*370*250mm

Carton Weight: 6.5 kg



Changelog

Changelog for the datasheet

SPE-22-8-069 – TM2019ANL

Revision: B

Date:	2023-02-12
Notes:	SPQ spec update
Author:	Javier Vasena

Previous Revisions

Revision: A (Original First Release)

Date:	2022-11-08
Notes:	
Author:	Javier Vasena



www.taoglas.com

