

MILITARY GRADE 10BASE-T INTERFACE MODULE



Ruggedized



- ⊗ Fully integrated 10Base-T module for adapter, hub, and motherboard applications.
- ⊗ Designed to meet IEEE802.3i-1993 10Base-T specifications, transmit side is enhanced for FCC/VDE class B system emissions requirement.
- ⊗ Operating Temperature: -40°C to +85°C
- ⊗ Low profile surface mount package
- ⊗ Moisture Sensitivity Level:
 - ⊗ 10B-2001: 3
 - ⊗ 10B-2001NL: 1 (open construction)
- ⊗ Parts can be screened to MIL-T-21038 and other military specific requirements.

Electrical Specifications @ 25°C

Part Number	Insertion Loss (dB MAX)		Attenuation XMIT (dB MIN)			Return Loss (dB MIN)		Crosstalk (dB MIN)		CM Rejection (dB MIN)					Pri-Sec Isolation (Vrms)
	1 MHz	10 MHz	30 MHz	50 MHz	100 MHz	5 MHz	10 MHz	5 MHz	10 MHz	5 MHz	10 MHz	50 MHz	100 MHz	200 MHz	
10B-2001	1.0	1.0	30	35	35	18	18	35	35	60	60	55	50	45	1500
10B-2001NL	1.0	1.0	30	35	35	18	18	35	35	60	60	50	40	40	1500

NOTES:

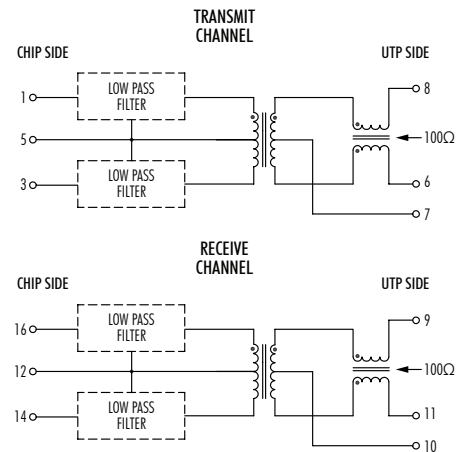
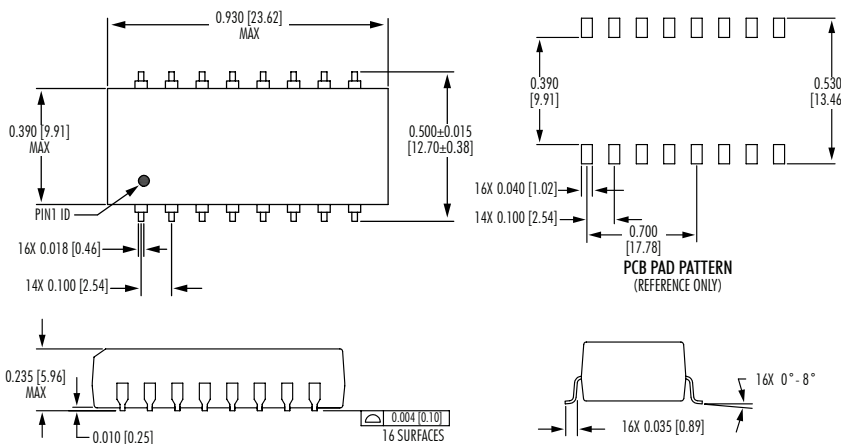
1. Add suffix "NL" for RoHS compliant version; i.e. 10B-2001 becomes 10B-2001NL. For RoHS compliant version 10B-2001NL, it is open header structure.
2. For Tape & Reel packaging, add "T" suffix at the end of the part number: i.e. 10B-2001T
3. Specifications reflect filter sections, additional attenuation is due to pre-distortion resistors.

Mechanicals

Electrical Schematics

10B-2001

Dimensions: inch [mm]
Tolerance (unless otherwise specified): ±0.010 [0.254]



APPLICATION NOTES:

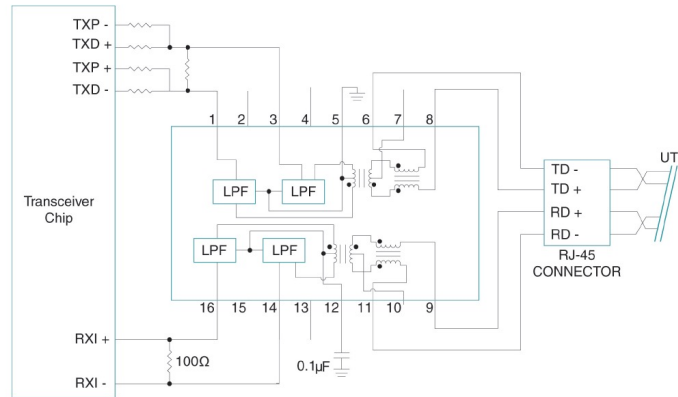
The module contains low pass filters, isolation transformers, and common mode chokes. These components provide impedance matching, equipment isolation, and EMI compression to comply with IEEE requirements. User compliance with FCC/CSRP class B requirements can be achieved by applying rigorous design guidelines to suppress noise mechanisms. Attention to high frequency signal paths, proper PCB grounding techniques, and component placement is critical. Pins 5 and 12, when grounded, provide noise return paths.

At least one of these (typically pin 12) must be coupled with bypass capacitor. Recommended module orientation with respect to RJ45 connector is illustrated in the application circuit. Output pins 6 through 11 should be routed with short, matched traces to the connector for optimum EMI performance. The robust mechanical package withstands IR reflow temperatures up to 235°C. Compliant leads provide excellent solder-joint reliability with K.002 coplanarity. Modules are shipped in tubes.

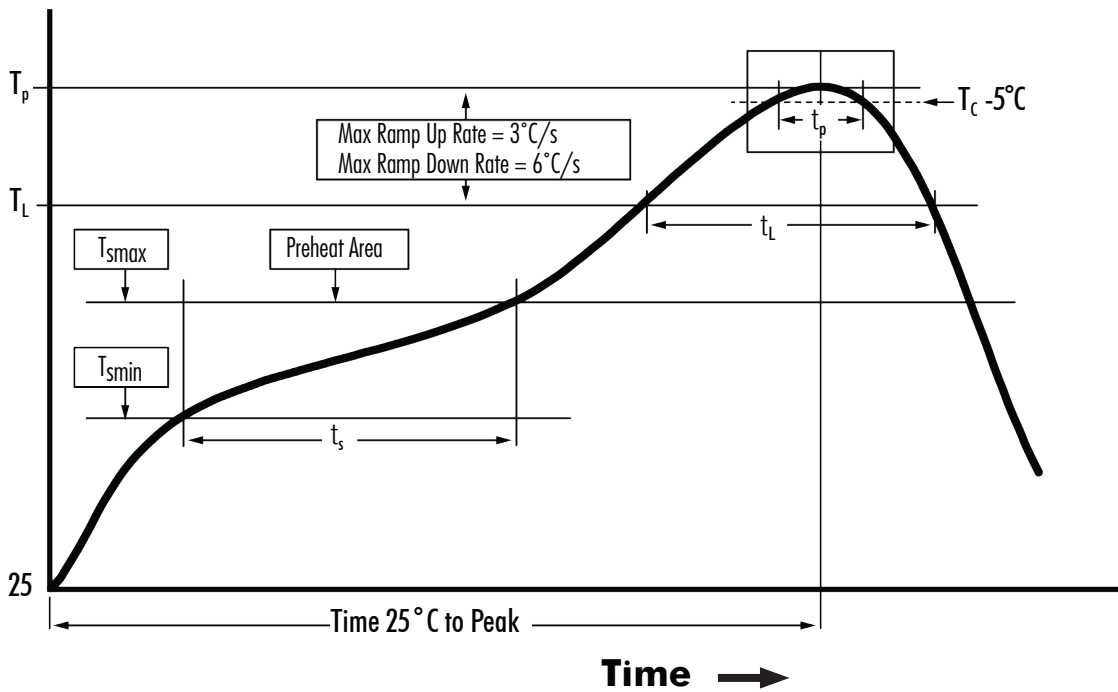


Ruggedized

Typical Application Circuit



Tin/Lead Recommended Reflow Profile (Based on J-STD-020D)



T_{SMIN} (°C)	T_{SMAX} (°C)	T_L (°C)	T_P (°C MAX)	t_s (s)	t_L (s)	t_p (s MAX)	Ramp-up rate (T_L to T_p)	Ramp-down rate (T_p to T_L)	Time 25°C to peak temperature (s MAX)
100	150	183	235	60 - 120	60 - 150	20	3°C/s MAX	6°C/s MAX	360

NOTES:

1. All temperatures measured on the package leads.
2. Maximum number of reflow cycles not to exceed 2.



iNRCORE, LLC
311 Sinclair Road, Bristol, PA 19007-6812 USA
Tel: +1.215.781.6400 Fax: +1.215.781.6430

www.iNRCORE.com

M156.H (07/22)

Performance warranty of products offered on this data sheet is limited to the parameters specified. Data is subject to change without notice. Other brand and product names mentioned herein may be trademarks or registered trademarks of their respective owners. © Copyright, 2020. iNRCORE, LLC. All rights reserved.