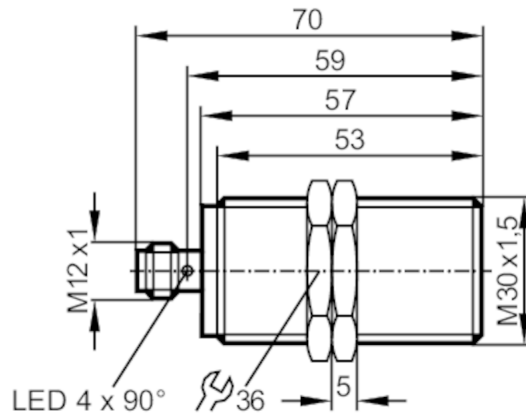




Inductive sensor

IHK3015BAPKG/V4A/US104



Product characteristics

Electrical design		PNP
Output function		normally closed
Sensing range	[mm]	15
Housing		threaded type
Dimensions	[mm]	M30 x 1.5 / L = 70

Application

Special feature		Gold-plated contacts; Increased sensing range
Application		regular cleaning processes

Electrical data

Operating voltage	[V]	10...36 DC
Current consumption	[mA]	< 10
Protection class		II
Reverse polarity protection		yes

Outputs

Electrical design		PNP
Output function		normally closed
Max. voltage drop switching output DC	[V]	2.5
Permanent current rating of switching output DC	[mA]	100
Switching frequency DC	[Hz]	100
Short-circuit protection		yes
Type of short-circuit protection		pulsed
Overload protection		yes

Detection zone

Sensing range	[mm]	15
Operating distance	[mm]	0...12.1
Increased sensing range		yes



Inductive sensor

IHK3015BAPKG/V4A/US104

Accuracy / deviations		
Correction factor	steel: 1 / stainless steel: 0.7 / brass: 0.5 / aluminium: 0.5 / copper: 0.4	
Hysteresis	[% of Sr]	1...20
Operating conditions		
Ambient temperature	[°C]	0...100
Protection	IP 68; IP 69K	
Tests / approvals		
EMC	EN 61000-4-2 ESD	4 kV CD / 8 kV AD
	EN 61000-4-3 HF radiated	10 V/m
	EN 61000-4-4 Burst	2 kV
	EN 61000-4-5 Surge	0,5 kV
	EN 61000-4-6 HF conducted	10 V
	EN 55011	class B
MTTF	[years]	1590
Mechanical data		
Weight	[g]	125.5
Housing	threaded type	
Mounting	flush mountable	
Dimensions	[mm]	M30 x 1.5 / L = 70
Thread designation	M30 x 1.5	
Materials	stainless steel (316L/1.4404); sensing face: PEEK	
Displays / operating elements		
Display	switching status	4 x 90° LED, yellow
Accessories		
Items supplied	lock nuts: 2	
Remarks		
Pack quantity	1 pcs.	
Electrical connection - plug		
Connector: 1 x M12; coding: A; Contacts: gold-plated		



IIT218



Inductive sensor

IHK3015BAPKG/V4A/US104

Connection

