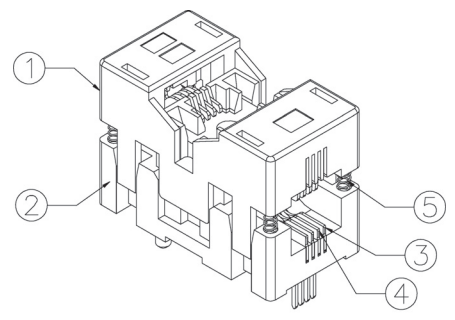
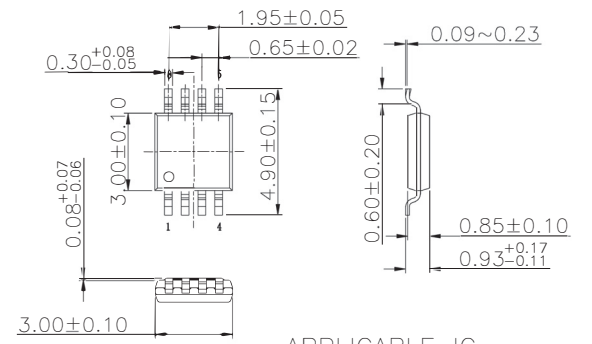
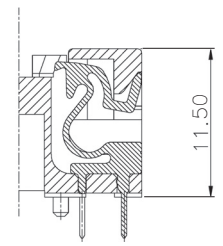
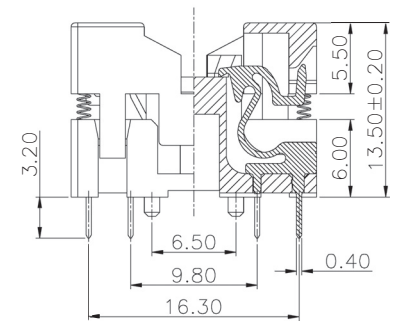
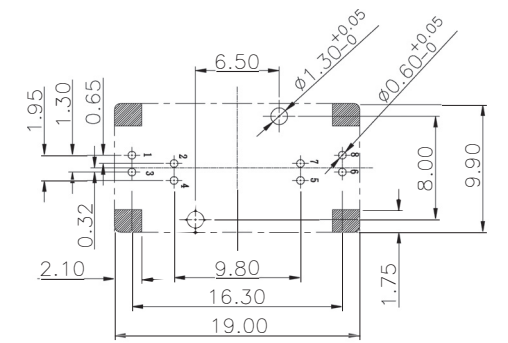
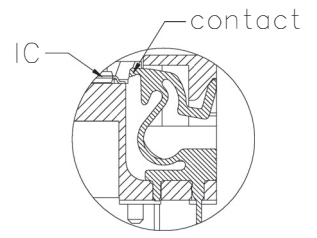
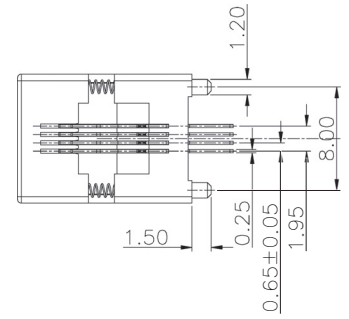
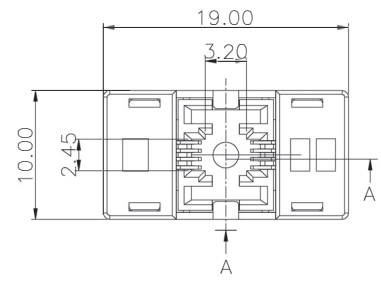


REVISION	DESCRIPTION	CHECK	APP	DATE	REV.NO
1					
2					
3					



PERFORMANCE

1. Insulation Resistance: 1000mΩ Min. At DC 500V
2. Dielectric Withstanding Voltage For 1 Minute At AC 700V
3. Contact Resistance 30mΩ Max. At 10mA And 20mV Max. (Initial)
4. Operation Temperature -65°C ~ +175°C
5. Life Span 15,000 Times (Mechanical)

No.	Part Number	Name	Material	Q/ty	Note	TOLERANCE	PROJECTION	GENERAL TOLERANCES	TITLE
5	30-B-4505B	SPRING	SUS	4	FOR COVER			±0.10	PA-SOCKET-MSOP-8-0.65
4	MSOP10-0.5-TPJTB	CONTACT	BeCu	4	Au PLATING	X. ±0.50			CLASS
3	MSOP10-0.5-TPJTA	CONTACT	BeCu	4	Au PLATING	X.X ±0.25	DIMENSION: mm	SCALE: 1:1	DRW.NO
2	MSOP08-0.65-TPCR	COVER	PEI	1	BLACK	X.XX ±0.10	APP:	DATE:	
1	MSOP08-0.65-TPBY	BODY	PEI	1	BLACK	X.XXX ±0.05	CHECK:	DATE:	PROTO ADVANTAGE®
						DEGK:	DATE: 2023-01-13		