

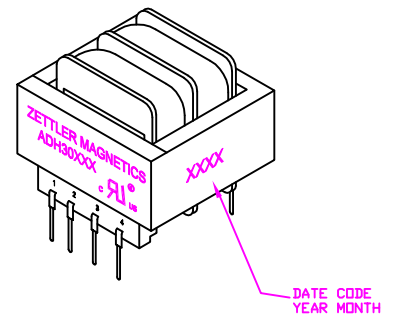
TRANSFORMER, POWER, PCB 2.4VA  
 DUAL 115/230V PRIMARIES AND DUAL SECONDARIES

1. ELECTRICAL SPECIFICATIONS:

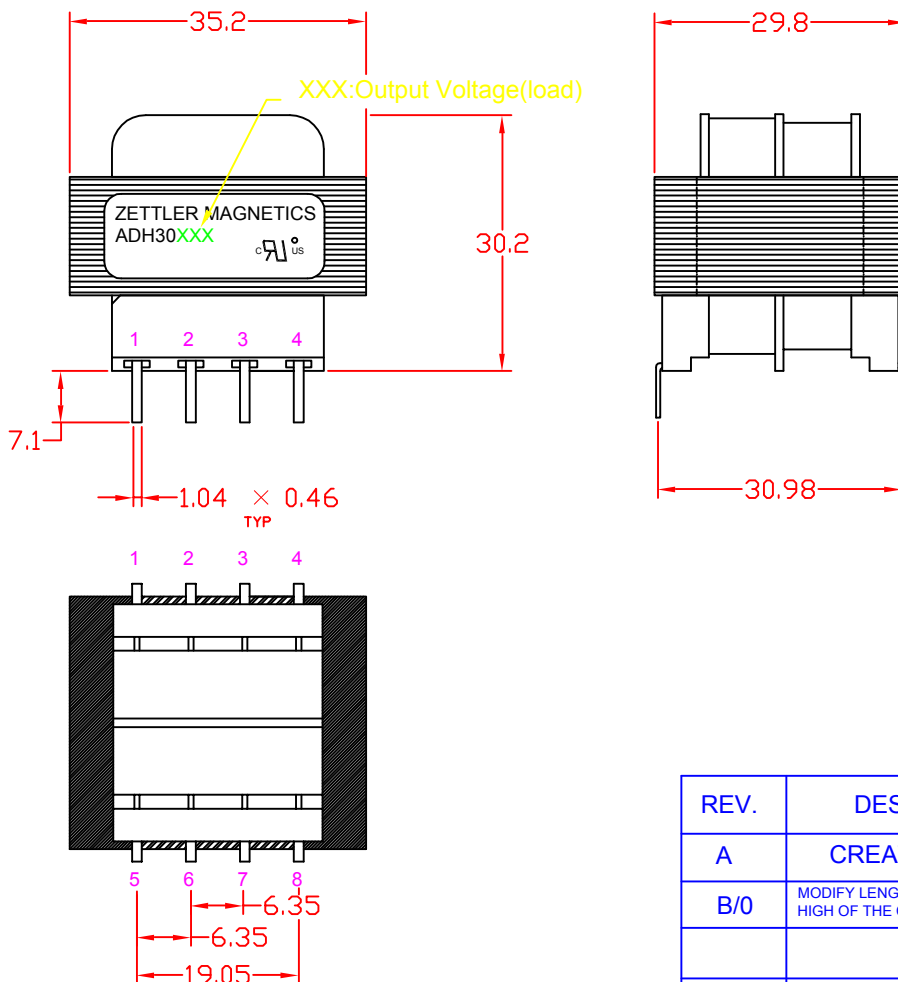
- A. Maximum Power: 2.4VA
- B. Input Voltage and Frequency: 115/230V± 10% @ 50/60Hz
- C. Secondary Voltage: See Electrical Table
- D. Temperature Rise: 45° C MAX allowed
- E. Excitation Current: 25mA MAX
- F. Hi-Pot: 2500Vrms 1 minute @ Pri. to Sec.  
 1500Vrms 1 minute @ Pri. to Core  
 1500Vrms 1 minute @ Sec. to Core

G. Safety:

Insulation System ZM-130-5, Class B, UL File No.E177235  
 UL506, General Purpose, US and Canada, File No.E177998



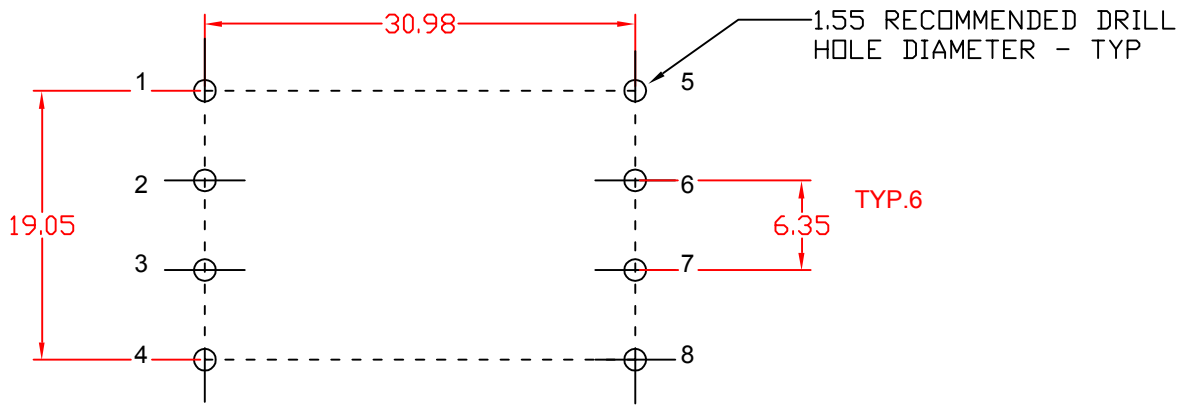
2. MECHANICAL SPECIFICATIONS:



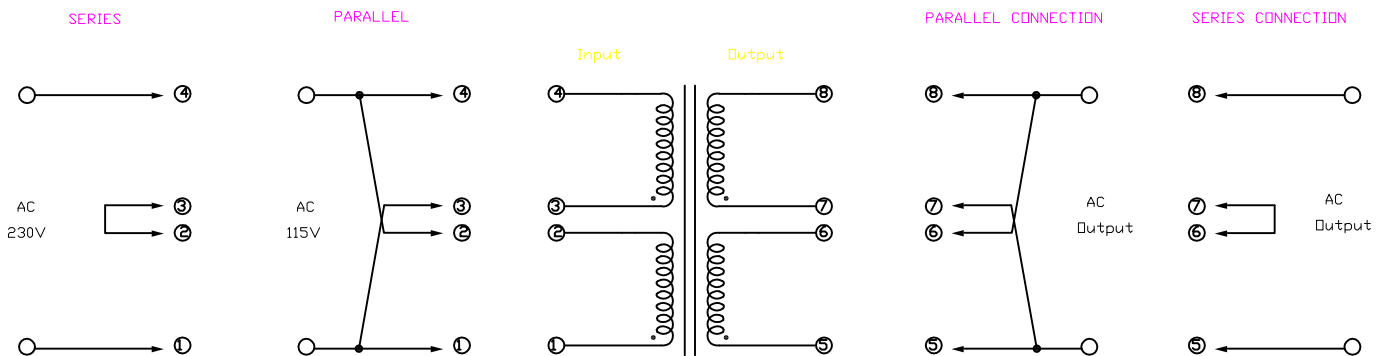
REV.	DESCRIPTION	DRAWN	DATE(M/D/Y)
A	CREATED DRAWING	ZHENG	June 17,2002
B/0	MODIFY LENGTHS OF THE PIN,ADD THE HIGH OF THE CENTER BOBBIN WALL	ye	June 12,2006

TOLERANCE	SCALE NOT 1:1	UNIT mm	DATE (M/D/Y)	MODEL DESCRIPTION	
X	± 0.3	DRAWN	ye	ZETTLER MAGNETICS	
X.X	± 0.2	CHECKED			
X.XX	± 0.1	QC		TITLE ADH300 SERIES PCD	
THICKNESS	/	APPROVED			
REV.	B/0	E:\ACAD\ADH300SERIES\ADH300SERIESPCD		MATERIAL Class B 130° C	
				MODEL: ADH300 SERIES	
				SHEET: 1 OF 2	

3. MOUNTING FOOTPRINT:



4. SCHEMATIC DIAGRAM:



5. ELECTRICAL TABLE:

INPUT	SERIES / PARALLEL			
	PARALLEL CONNECTION		SERIES CONNECTION	
OUTPUT	AC VOLTS	RMS AMPS	AC VOLTS	RMS AMPS
ADH30010	5V	500mA	10V	250mA
ADH30012	6.3V	400mA	12.6V	200mA
ADH30016	8V	300mA	16V	150mA
ADH30020	10V	240mA	20V	120mA
ADH30024	12V	200mA	24V	100mA
ADH30028	14V	170mA	28V	85mA
ADH30036	18V	130mA	36V	65mA
ADH30048	24V	100mA	48V	50mA
ADH30056	28V	90mA	56V	45mA
ADH30120	60V	40mA	120V	20mA

REV.	DESCRIPTION	DRAWN	DATE(M/D/Y)
A	CREATED DRAWING	ZHENG	June 17,2002
B/0	MODIFY LENGTHS OF THE PIN,ADD THE HIGH OF THE CENTER BOBBIN WALL	ye	June 12,2006

TOLERANCE	SCALE NOT 1:1	UNIT mm	DATE (M/D/Y)	MODEL DESCRIPTION	
X	± 0.3	DRAWN	ye	ZETTLER MAGNETICS	
X.X	± 0.2	CHECKED			
X.XX	± 0.1	QC		TITLE ADH300 SERIES PCD	
THICKNESS	/	APPROVED			
REV.	B/0	E:\ACAD\ADH300SERIES\ADH300SERIESPCD		MATERIAL Class B 130° C	
				MODEL: ADH300 SERIES	
				SHEET: 2 OF 2	