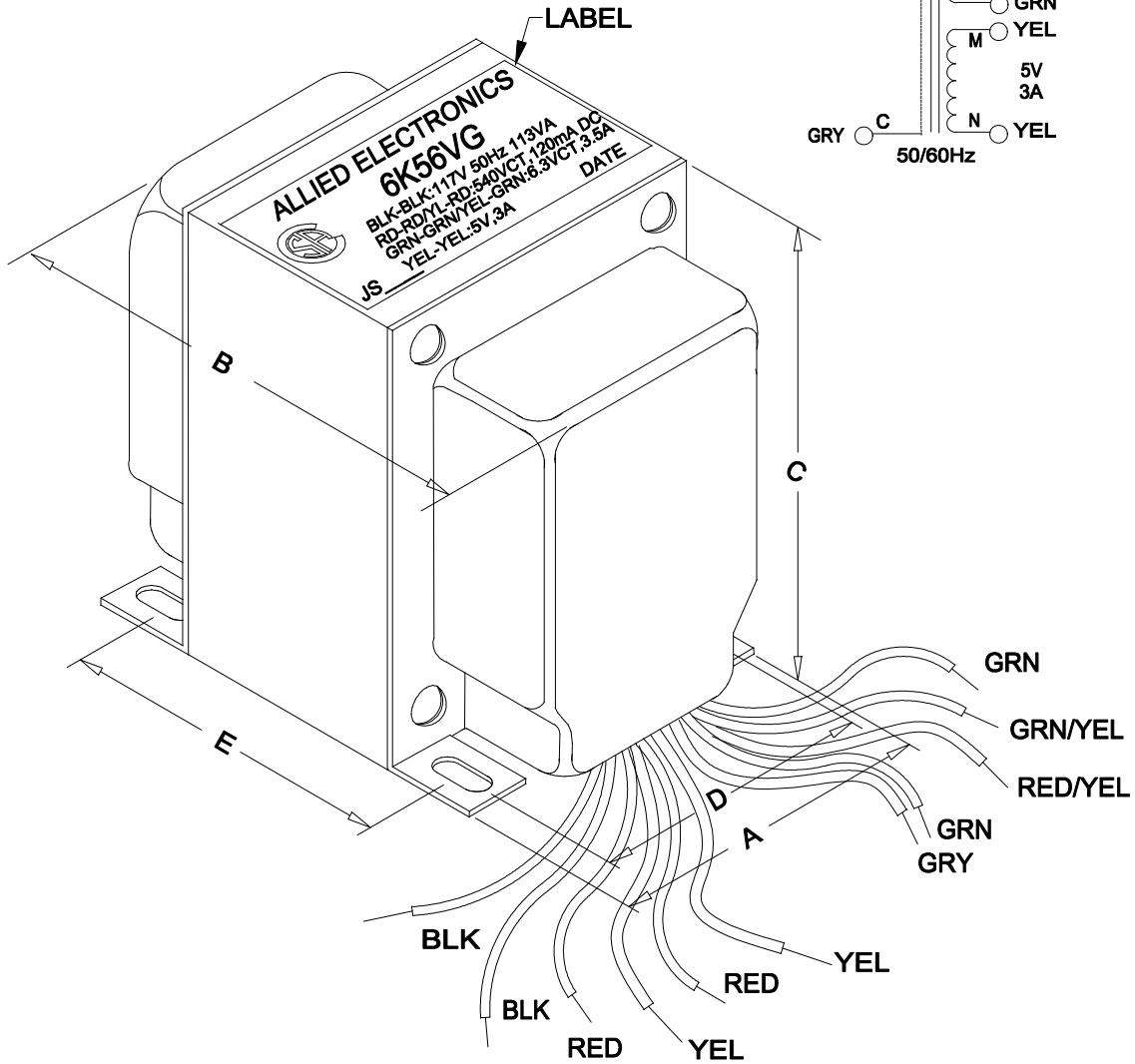
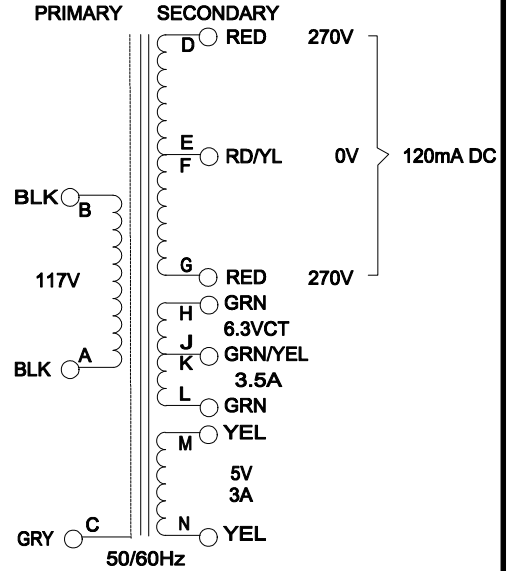


EDB6K56VG

DIMENSIONS:	
A	3.125" ±0.063
B	3.436" ±0.125
C	3.813" ±0.063
D	2.500" ±0.063
E	2.188" ±0.063
G	0.203" x 0.375" ±0.015



NOTE: ALL LEADS 9" OUT MIN., STRIPPED .5"



ELECTRONIC DIVISION
 52 RANKIN PLACE,
 WATERLOO, ONTARIO, N2J 3Z5
 PH # (519) 886-6181
 FAX # (519) 886-9540

TITLE: 6K56VG

NO	DATE	REVISION	DWG. BY
0	12/06/10	RELEASED.	C.I. CORINA ILIE
			DATE
			12/06/10
			DIM IN(×)MM()

EDB6K56VG