

# KUP-14A25-120 ✓ ACTIVE

Potter & Brumfield | Potter & Brumfield KUP

TE Internal #: 8-1393117-3

Power Relays, Industrial Panel Plug-In, Monostable, AC, 2.9 VA Coil

Power Rating AC, 1700  $\Omega$  Coil Resistance, Potter & Brumfield KUP

[View on TE.com >](#)



Relays & Contactors > Relays > Power Relays



Power Relay Type: **Industrial Panel Plug-In**

Coil Magnetic System: **Monostable, AC**

Coil Power Rating Class: **[ 2 – 3 VA ]**

Coil Power Rating AC: **2.9 VA**

Coil Resistance: **1700  $\Omega$**

## Features

### Product Type Features

Power Relay Type	Industrial Panel Plug-In
Relay Connection Type	Terminals
Terminal Configuration	Quick Connect Terminals

### Electrical Characteristics

Insulation Initial Dielectric Between Coil & Contact Class	1500 – 2500 V
Insulation Initial Dielectric Between Contacts & Coil	2200 Vrms
Actuating System	AC
Insulation Initial Dielectric Between Open Contacts	1200 Vrms
Contact Limiting Making Current	10 A
Contact Limiting Short-Time Current	10 A
Contact Limiting Continuous Current	10 A
Insulation Initial Dielectric Between Adjacent Contacts	2200 Vrms
Insulation Initial Resistance	100 M $\Omega$
Contact Limiting Breaking Current	10 A
Coil Magnetic System	Monostable, AC
	2 – 3 VA
Coil Power Rating AC	2.9 VA
Coil Resistance	1700 $\Omega$
Coil Special Features	UL Coil Insulation Class B

Coil Voltage Rating	120 VAC
---------------------	---------

Contact Switching Load (Min)	300mA @ 12V
------------------------------	-------------

Contact Voltage Rating	240 VAC
------------------------	---------

### Body Features

Product Weight	85 g[2.988 oz]
----------------	----------------

### Contact Features

Contact Arrangement	3 Form C (CO)
---------------------	---------------

Contact Current Class	16 A
-----------------------	------

Contact Current Rating (Max)	10 A
------------------------------	------

Contact Material	AgCdO
------------------	-------

Contact Number of Poles	3
-------------------------	---

### Mechanical Attachment

Product Mount Type	Socket
--------------------	--------

### Dimensions

Length Class (Mechanical)	35 – 40 mm
---------------------------	------------

Height Class (Mechanical)	40 – 50 mm
---------------------------	------------

Width Class (Mechanical)	30 – 40 mm
--------------------------	------------

Product Width	35.71 mm[1.4 in]
---------------	------------------

Product Length	38.89 mm[1.53 in]
----------------	-------------------

Product Height	54.76 mm[2.15 in]
----------------	-------------------

### Usage Conditions

Environmental Ambient Temperature Class	0 – 50 °C
---	-----------

Environmental Ambient Temperature (Max)	45 °C[113 °F]
---	---------------

Operating Temperature Range	-45 – 45 °C
-----------------------------	-------------

### Packaging Features

Packaging Method	Package
------------------	---------

### Product Compliance

[For compliance documentation, visit the product page on TE.com>](#)

EU RoHS Directive 2011/65/EU	Compliant with Exemptions
------------------------------	---------------------------

EU ELV Directive 2000/53/EC	Compliant
-----------------------------	-----------

China RoHS 2 Directive MIIT Order No 32, 2016	Restricted Materials Above Threshold
---	--------------------------------------



EU REACH Regulation (EC) No. 1907/2006

Current ECHA Candidate List: JAN 2024 (240)

Candidate List Declared Against: JAN 2023 (233)

SVHC > Threshold:

Cadmium oxide (4.37% in Component)

**Article Safe Usage Statements:**

Use personal protective equipment as required. Do not eat, drink or smoke when using this product. Recycle if possible and dispose of the article by following all applicable governmental regulations relevant to your geographic location.

Halogen Content

Low Halogen - Br, Cl, F, I < 900 ppm per homogenous material. Also BFR/CFR/PVC Free

Solder Process Capability

Not applicable for solder process capability

**Product Compliance Disclaimer**

This information is provided based on reasonable inquiry of our suppliers and represents our current actual knowledge based on the information they provided. This information is subject to change. The part numbers that TE has identified as EU RoHS compliant have a maximum concentration of 0.1% by weight in homogenous materials for lead, hexavalent chromium, mercury, PBB, PBDE, DBP, BBP, DEHP, DIBP, and 0.01% for cadmium, or qualify for an exemption to these limits as defined in the Annexes of Directive 2011/65/EU (RoHS2). Finished electrical and electronic equipment products will be CE marked as required by Directive 2011/65/EU. Components may not be CE marked. Additionally, the part numbers that TE has identified as EU ELV compliant have a maximum concentration of 0.1% by weight in homogenous materials for lead, hexavalent chromium, and mercury, and 0.01% for cadmium, or qualify for an exemption to these limits as defined in the Annexes of Directive 2000/53/EC (ELV). Regarding the REACH Regulation, the information TE provides on SVHC in articles for this part number is based on the latest European Chemicals Agency (ECHA) 'Guidance on requirements for substances in articles' posted at this URL: <https://echa.europa.eu/guidance-documents/guidance-on-reach>

## Compatible Parts



TE Part # 2-1419106-5  
27E893=SOCKET,KU,11,QC,POLY,NA-



TE Part # 1393143-1  
27E043=SOCKET,KU,11,SLG,NYL,N



TE Part # 1393143-5  
27E121=SOCKET,KUP,11,SCW,PLE

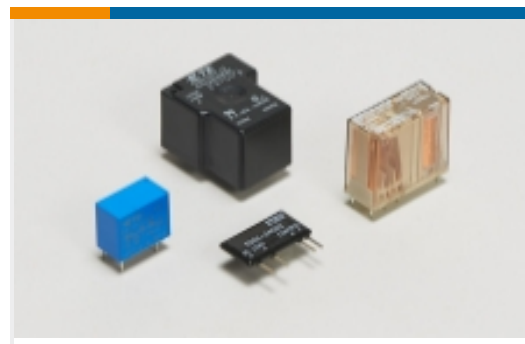


TE Part # 1393143-2  
27E067=SOCKET,KU,11,QC.187,NY



TE Part # 3-1393143-8  
27E396=SOCKET,KU,11,SNAP,.187QC

Also in the Series | **Potter & Brumfield KUP**



Power Relays(155)



Relay Accessories, Sockets & Clips(12)

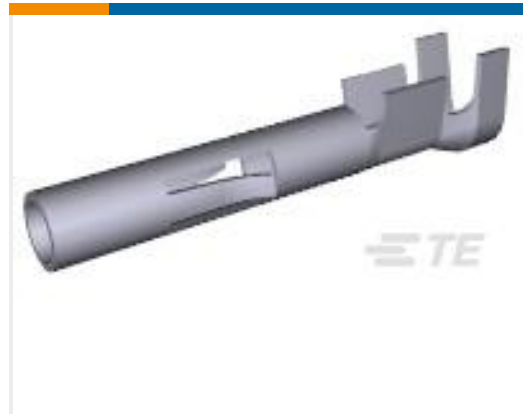
## Customers Also Bought



TE Part #66504-9  
SOCKET CONTACT, 20 DF



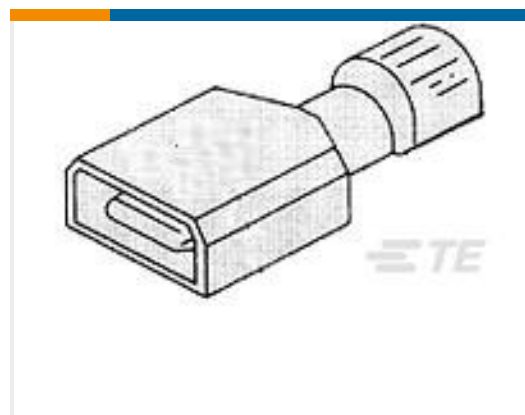
TE Part #1375820-3  
CST-100 II HOUSING 3 POS



TE Part #350550-1  
UMNL SOK 20-14 PTPBR L/P



TE Part #2-520409-2  
ULTRA-FAST 187 ASY REC 22-18 TPBR



TE Part #2-521055-2  
ULTRAFAST 250 ASSY TAB 22-18  
AWG TPBR



TE Part #2-1625886-7  
1W SM M/OX 5% 5K1



TE Part #HDP24-24-18SN  
REC, 18P, BLK, N, 8/12/16, S



TE Part #DT04-3P-P007  
REC, 3P, GRY, Y-SPLITTER



TE Part #0462-201-1631  
SOC, SOLID, SIZE 16, 16-20AWG, AU



TE Part #1-2186501-1  
T3212-SWARE-PRINTER

## Documents

[CAD Files](#)

[3D PDF](#)

[3D](#)

[Customer View Model](#)

[ENG\\_CVM\\_CVM\\_8-1393117-3\\_D.2d\\_dxf.zip](#)

English

[Customer View Model](#)

[ENG\\_CVM\\_CVM\\_8-1393117-3\\_D.3d\\_igs.zip](#)



English

### Customer View Model

[ENG\\_CVM\\_CVM\\_8-1393117-3\\_D.3d\\_stp.zip](#)

English

By downloading the CAD file I accept and agree to the [Terms and Conditions](#) of use.

### Datasheets & Catalog Pages

[KUP Series Panel Plug-in Relay](#)

English

### Product Specifications

[Definitions General Purpose Relays](#)

English

### Agency Approvals

[UL](#)

English