

# FCB-405-0617M ✓ ACTIVE

CII | CII FCB-405 Series

TE Internal #: 7-1617760-7

Mid-Range Relays, Contact Arrangement 4 Form C, 4PDT, 4 C/O,  
Tin-Lead Terminal Plating, 5A Contact Current Rating (Max), CII  
FCB-405 Series

[View on TE.com >](#)



Relays & Contactors > Relays > Mil-Aero Relays > Mid-Range Relays



Contact Arrangement: **4 Form C, 4PDT, 4 C/O**

Terminal Plating: **Tin-Lead**

Contact Current Rating (Max): **5 A**

Coil Voltage Rating: **28 VDC**

Coil Resistance: **400  $\Omega$**

## Features

### Product Type Features

Enclosure Type	Hermetically Sealed
Relay Options	Back EMF Suppression, Coil Suppression Diode
Terminal Configuration	Solder Pins

### Electrical Characteristics

Vibration Resistance	30G's, 70 – 3000Hz
Actuating System	DC
Shock Resistance	200G's, 6ms
Coil Magnetic System	Polarized, Monostable
Coil Voltage Rating	28 VDC
Coil Resistance	400 $\Omega$

### Contact Features

Contact Base Material	Silver Cadmium Oxide
Contact Arrangement	4 Form C, 4PDT, 4 C/O
Terminal Plating	Tin-Lead
Contact Current Rating (Max)	5 A

### Mechanical Attachment

Product Mount Type	Printed Circuit Board
--------------------	-----------------------



### Usage Conditions

Operating Temperature Range	-70 – 125 °C
-----------------------------	--------------

### Product Compliance

[For compliance documentation, visit the product page on TE.com>](#)

EU RoHS Directive 2011/65/EU	Not Compliant
EU ELV Directive 2000/53/EC	Not Compliant
China RoHS 2 Directive MIIT Order No 32, 2016	Restricted Materials Above Threshold
EU REACH Regulation (EC) No. 1907/2006	Current ECHA Candidate List: JAN 2024 (240) Candidate List Declared Against: JUL 2021 (219) Does not contain REACH SVHC
Halogen Content	Low Halogen - Br, Cl, F, I < 900 ppm per homogenous material. Also BFR/CFR/PVC Free
Solder Process Capability	Not applicable for solder process capability

#### Product Compliance Disclaimer

This information is provided based on reasonable inquiry of our suppliers and represents our current actual knowledge based on the information they provided. This information is subject to change. The part numbers that TE has identified as EU RoHS compliant have a maximum concentration of 0.1% by weight in homogenous materials for lead, hexavalent chromium, mercury, PBB, PBDE, DBP, BBP, DEHP, DIBP, and 0.01% for cadmium, or qualify for an exemption to these limits as defined in the Annexes of Directive 2011/65/EU (RoHS2). Finished electrical and electronic equipment products will be CE marked as required by Directive 2011/65/EU. Components may not be CE marked. Additionally, the part numbers that TE has identified as EU ELV compliant have a maximum concentration of 0.1% by weight in homogenous materials for lead, hexavalent chromium, and mercury, and 0.01% for cadmium, or qualify for an exemption to these limits as defined in the Annexes of Directive 2000/53/EC (ELV). Regarding the REACH Regulation, the information TE provides on SVHC in articles for this part number is based on the latest European Chemicals Agency (ECHA) 'Guidance on requirements for substances in articles' posted at this URL: <https://echa.europa.eu/guidance-documents/guidance-on-reach>

### Compatible Parts

 <p>TE Part # 4-1617758-7 <a href="#">FCB-205-0222M=M83536/2-022M</a></p>	 <p>TE Part # 3-1617758-2 <a href="#">FCB-205-0123M=M83536/1-023M</a></p>	 <p>TE Part # 7-1617758-7 <a href="#">FCB-205-BZ2</a></p>	 <p>TE Part # 8-1617758-4 <a href="#">FCB-205-CY4</a></p>
--	---	--	--



TE Part # 6-1617784-8  
FCB-205-0104M=M83536/1-004M



TE Part # 4-1617786-6  
FCB-205-0215L=M83536/2-015L



TE Part # 1-1617785-3  
FCB-205-0133M=M83536/1-033M



TE Part # 1-1617785-9  
FCB-205-0136M=M83536/1-036M



TE Part # 1617785-6  
FCB-205-0130L=M83536/1-030L



TE Part # 2-1617786-6  
FCB-205-0203M=M83536/2-003M



TE Part # 3-1617786-4  
FCB-205-0208L=M83536/2-008L



TE Part # 4-1617786-0  
FCB-205-0212L=M83536/2-012L



TE Part # 5-1617786-6  
FCB-205-0225L=M83536/2-025L



TE Part # 6-1617784-2  
FCB-205-0101M=M83536/1-001M



TE Part # 6-1617786-4  
FCB-205-0232L=M83536/2-032L



TE Part # 7-1617784-3  
FCB-205-0107M=M83536/1-007M



TE Part # 7-1617784-9  
FCB-205-0111L=M83536/1-011L



TE Part # 7-1617786-5  
FCB-205-0237M=M83536/2-037M



TE Part # 8-1617784-0  
FCB-205-0111M=M83536/1-011M



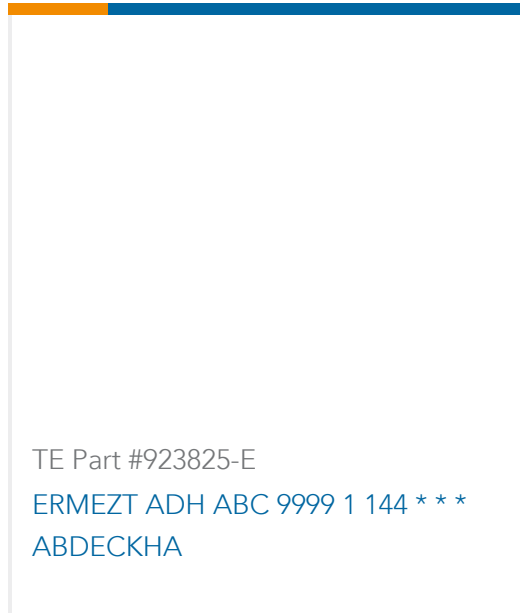
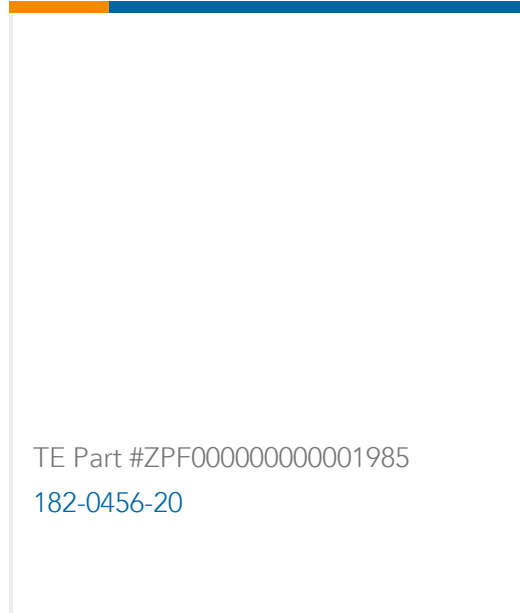
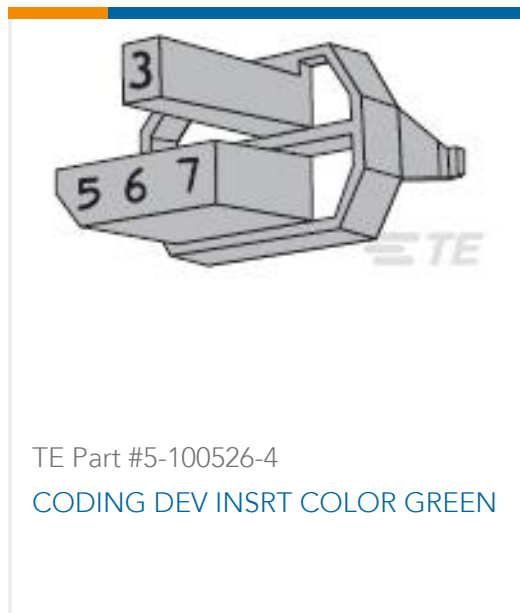
TE Part # 8-1617784-6  
FCB-205-0114M=M83536/1-014M

Also in the Series | CII FCB-405 Series



Mid-Range Relays(22)

Customers Also Bought



## Documents

### Product Drawings

[FCB-405-0617M=M83536/6-017M](#)

English

### CAD Files

[3D PDF](#)

3D

Customer View Model

[ENG\\_CVM\\_CVM\\_7-1617760-7\\_C.2d\\_dxf.zip](#)

English

Customer View Model

[ENG\\_CVM\\_CVM\\_7-1617760-7\\_C.3d\\_igs.zip](#)

English

Customer View Model

[ENG\\_CVM\\_CVM\\_7-1617760-7\\_C.3d\\_stp.zip](#)

English

By downloading the CAD file I accept and agree to the [Terms and Conditions](#) of use.

### Datasheets & Catalog Pages



[5-1773450-5\\_sec5\\_FCB-405](#)

English