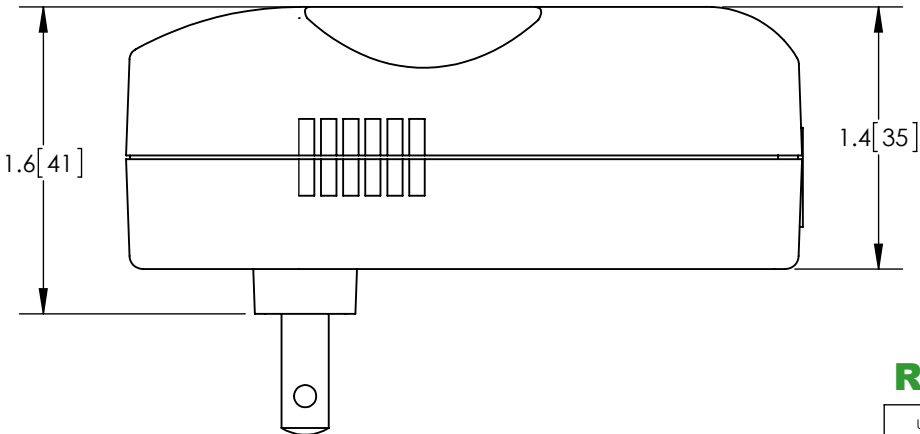
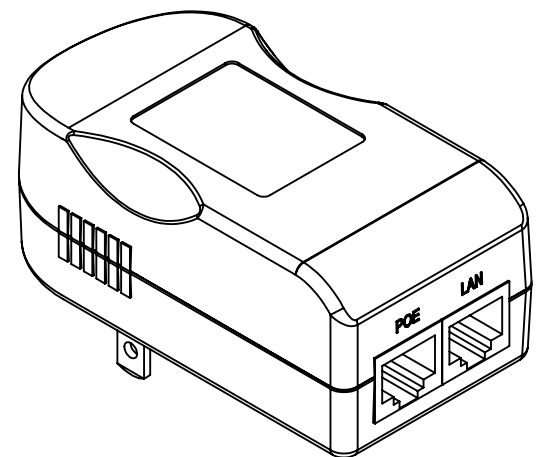
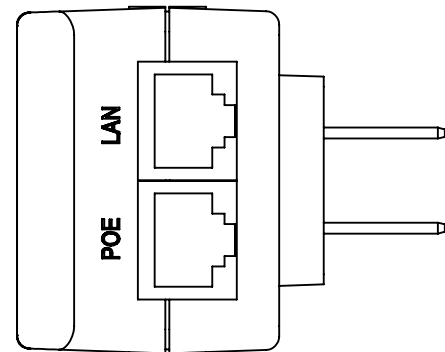
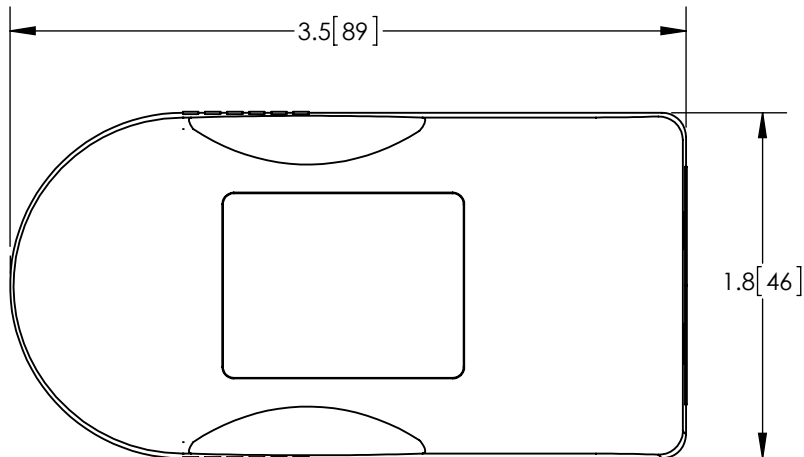


THE INFORMATION CONTAINED IN THIS DRAWING IS THE SOLE PROPERTY OF L-COM, INC. ANY REPRODUCTION IN PART OR WHOLE WITHOUT THE WRITTEN PERMISSION OF L-COM, INC. IS PROHIBITED.

REVISIONS			
REV	DESCRIPTION	DATE	APPROVED
A	INITIAL RELEASE	9/12/12	D.GRIFFIN



NOTES:
 PACKAGING:
 SHALL BE PACKAGED AS PER L-COM SPEC PKG-00091
 - ALL DIMENSIONS FOR REFERENCE ONLY -

RoHS Compliant ✓

UNLESS OTHERWISE SPECIFIED, DIMENSIONS ARE IN INCHES [mm] DIMENSIONAL TOLERANCES: .X = ±.1 .XX = ±.01 .XXX = ±.005 ANGULAR TOLERANCES: ALL = ± 1° PROJECTION	APPROVALS DRAWN BY B.PUCHASKI	DATE 09/11/12	45 BEECHWOOD DRIVE NORTH ANDOVER, MA 01845	
	CHECKED BY K.BURGNER	09/11/12		CATEGORY POWER PRODUCTS
	APPROVED BY K.BURGNER	09/11/12	PRODUCT DESCRIPTION WALL MOUNT 48VDC PoE INJECTOR W/ 24W 500mA POWER SUPPLY	SIZE A FSCM NO. 43321 DWG. NO. PSW4824-POE REV. A
CONFIGURATION DETAILS OF UNDIMENSIONED FEATURES MAY VARY		COLOR VARIATIONS MAY OCCUR		SCALE: NONE CAD FILE: PSW4824-POE.SLDDRW SHEET 1 OF 1